



Chipsmall Limited consists of a professional team with an average of over 10 year of expertise in the distribution of electronic components. Based in Hongkong, we have already established firm and mutual-benefit business relationships with customers from,Europe,America and south Asia,supplying obsolete and hard-to-find components to meet their specific needs.

With the principle of “Quality Parts,Customers Priority,Honest Operation,and Considerate Service”,our business mainly focus on the distribution of electronic components. Line cards we deal with include Microchip,ALPS,ROHM,Xilinx,Pulse,ON,Everlight and Freescale. Main products comprise IC,Modules,Potentiometer,IC Socket,Relay,Connector.Our parts cover such applications as commercial,industrial, and automotives areas.

We are looking forward to setting up business relationship with you and hope to provide you with the best service and solution. Let us make a better world for our industry!



Contact us

Tel: +86-755-8981 8866 Fax: +86-755-8427 6832

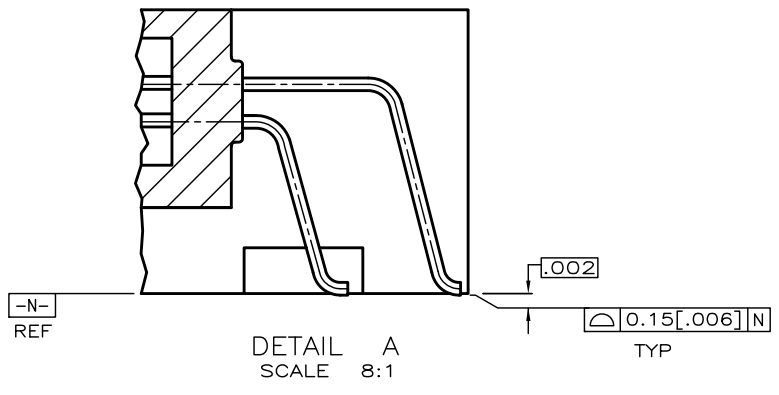
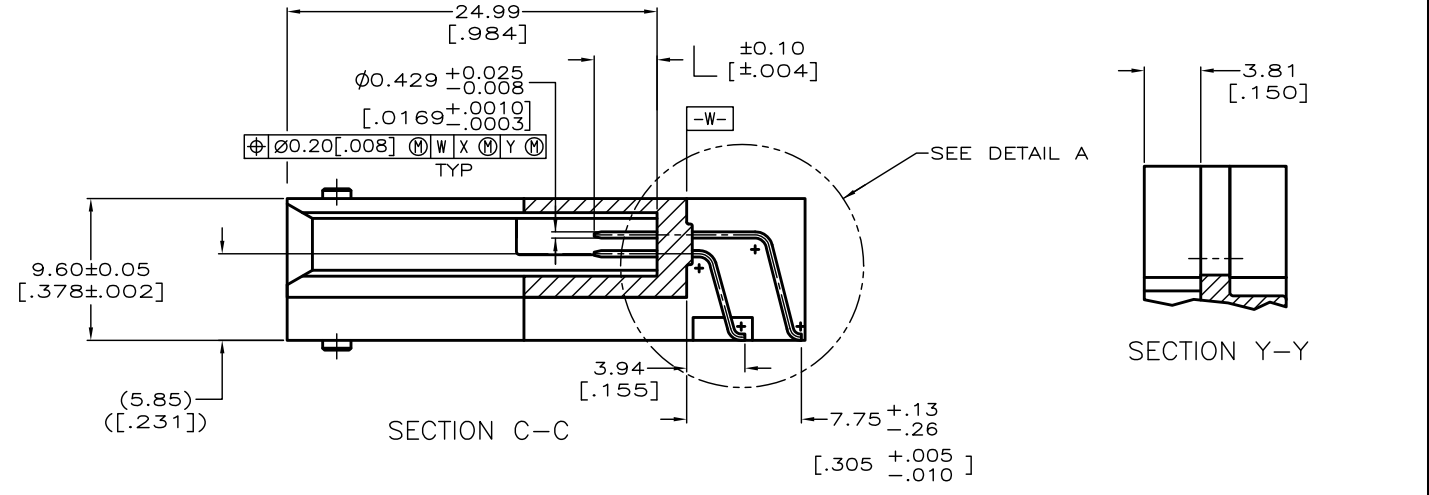
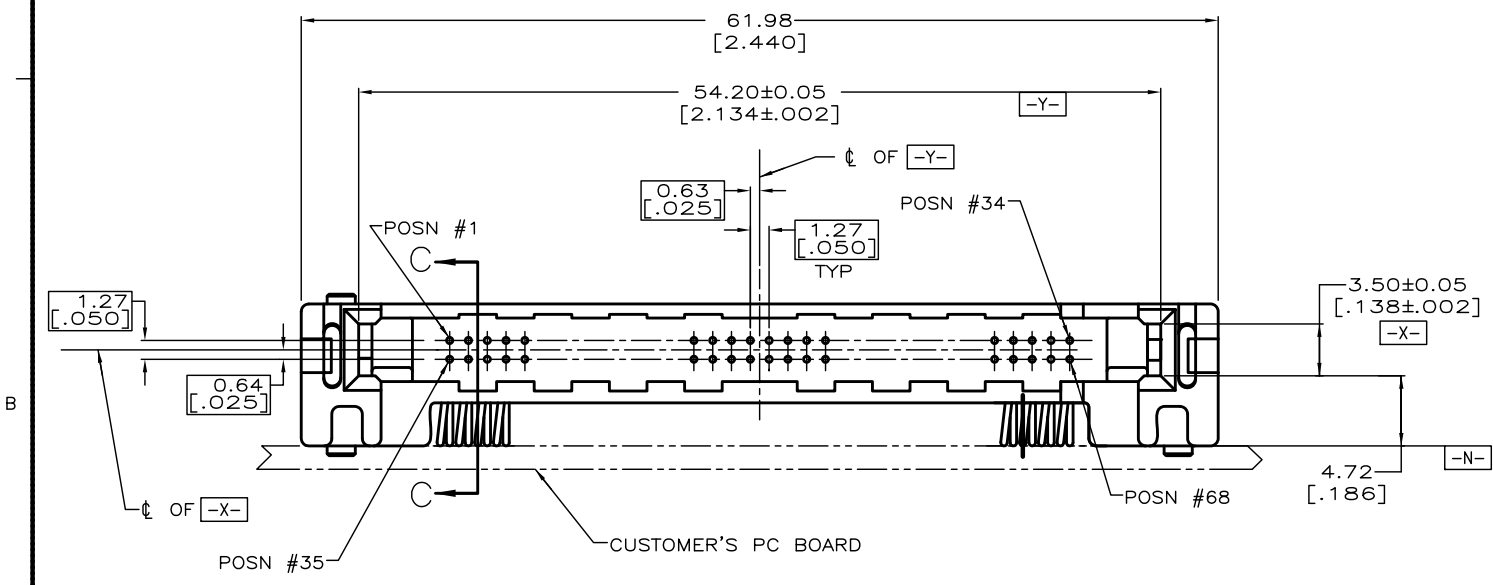
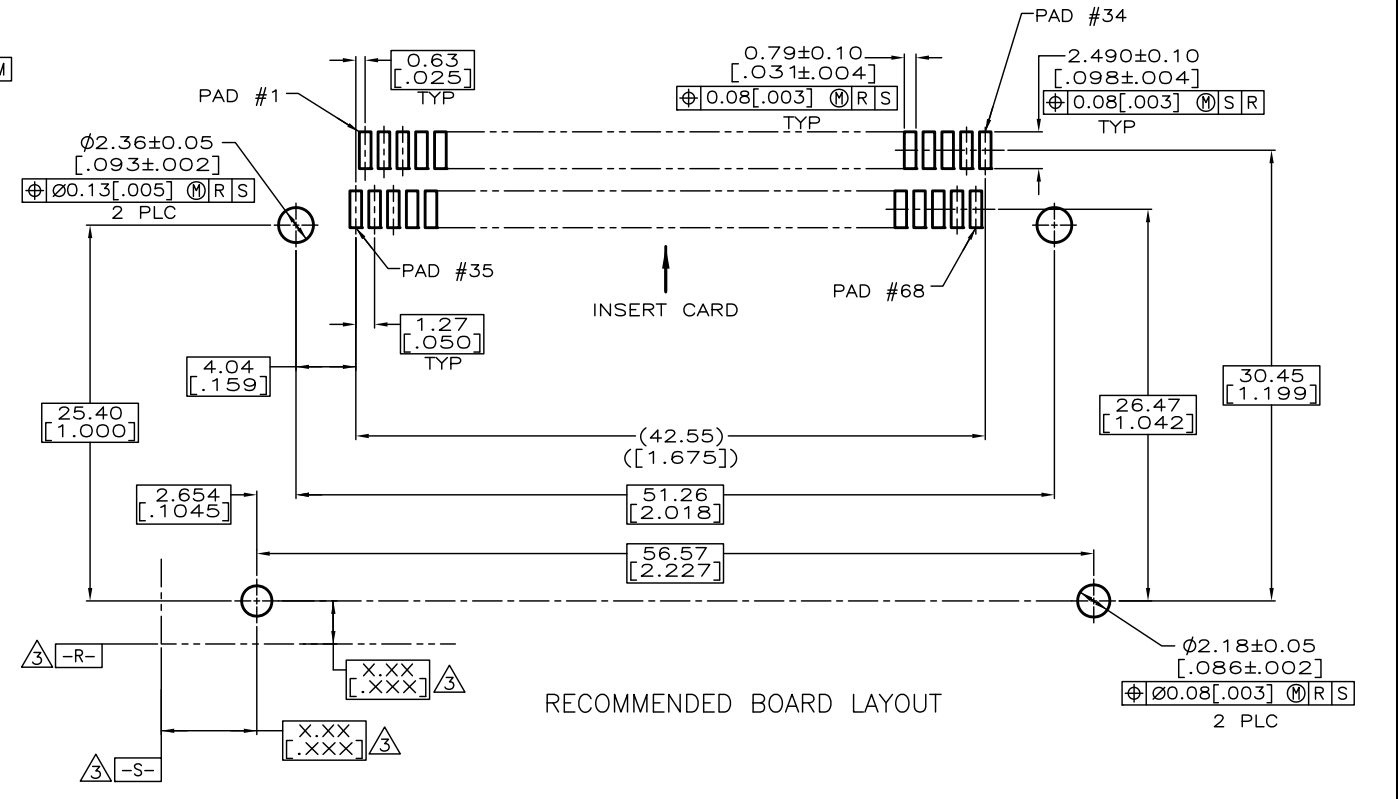
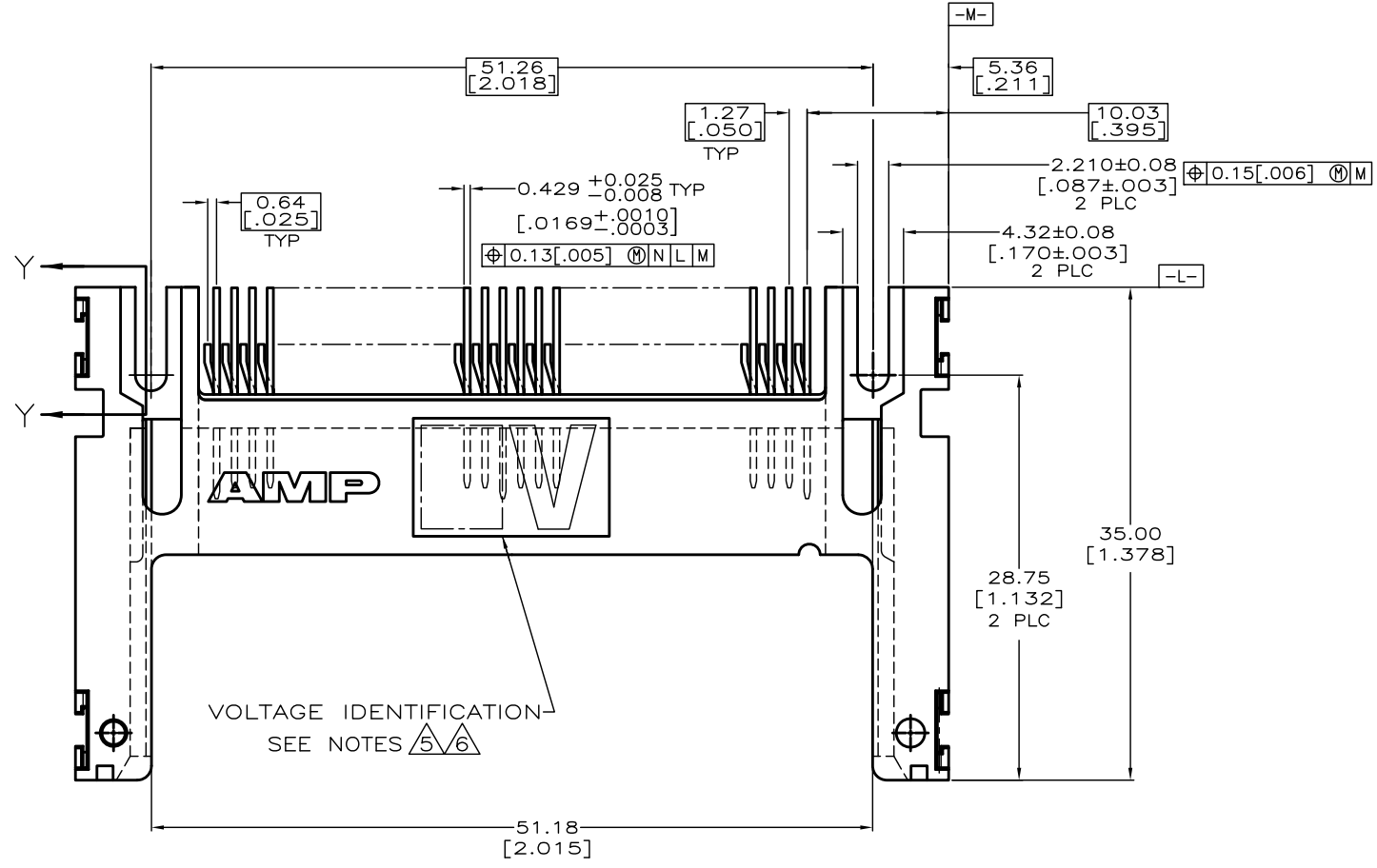
Email & Skype: info@chipsmall.com Web: www.chipsmall.com

Address: A1208, Overseas Decoration Building, #122 Zhenhua RD., Futian, Shenzhen, China



THIS DRAWING IS UNPUBLISHED. RELEASED FOR PUBLICATION
 BY TYCO ELECTRONICS CORPORATION. ALL RIGHTS RESERVED.

REV	DATE	BY	CHK	DESCRIPTION
A	27MAR2013	BW	HK	REVISED (ECR-12-018088)



- ▲ PIN: 0.00076 [.000030] MINIMUM GOLD IN CONTACT AREA, 0.00381 [.000150] MIN TIN ON SOLDER TAILS, ALL OVER 0.00127 [.000050] MINIMUM NICKEL
- 2. CUSTOMER TO PROVIDE CARD GUIDANCE SYSTEM
- ▲ DATUMS AND BASIC DIMENSIONS ESTABLISHED BY CUSTOMER
- 4. CONNECTOR REQUIRES USE OF 2 - SIZE 2M SCREWS FOR FASTENING TO PRINTED CIRCUIT BOARD
- ▲ ASSEMBLY KEYED FOR 5 VOLT CARDS
- ▲ ASSEMBLY KEYED FOR LOW VOLT CARDS (3.3V)
- ▲ PACKAGED IN TRAYS, 9 X 17 INCH APPROXIMATE SIZE.
- ▲ PACKAGED IN TRAYS, 9 X 12 INCH APPROXIMATE SIZE.
- ▲ PACKAGED IN TAPE & REEL.
- ▲ MATERIAL: HOUSING: LCP COLOR: BLACK PIN: BRASS
- ▲ OBSOLETE PARTS: OBSOLETE CIS STREAMLINING PER D.RENAUD/D.SINISI

OBSOLETE ▲	▲	▲	1,17,34 35,51,68	ALL OTHER PINS	36,67	5535657-5
	▲	▲	1,17,34 35,51,68	ALL OTHER PINS	36,67	5535657-4
	▲	▲	1,17,34 35,51,68	ALL OTHER PINS	36,67	5535657-3
	▲	▲	1,17,34 35,51,68	ALL OTHER PINS	36,67	5535657-2
	▲	▲	1,17,34 35,51,68	ALL OTHER PINS	36,67	5535657-1
PACKAGING	VOLTAGE KEYING & IDENTIFICATION		5.0 [.197]	4.25 [.167]	3.5 [.138]	PART NUMBER
			"L" (PIN LENGTH) AND LOCATION			

**COPYRIGHT 2005
 TE CONNECTIVITY CORP
 ALL RIGHTS RESERVED**

THIS DRAWING IS A CONTROLLED DOCUMENT.

DRAWN: L. VARELA - DOCKS	DATE: 03-28-05	NAME: M. WALSLEY
CHK: D.L. GORENC	DATE: 03-28-05	NAME: M. WALSLEY
APPD: M. WALSLEY	DATE: 03-28-05	NAME: M. WALSLEY

PRODUCT SPEC: ---
 APPLICATION SPEC: ---
 MATERIAL: 10
 FINISH: 1

WEIGHT: 7.7 GRAMS
 SIZE: A1
 CASE CODE: 00779
 DRAWING NO: 5535657
 CUSTOMER DRAWING

SCALE: 4:1 SHEET 1 OF 1 REV A