



Chipsmall Limited consists of a professional team with an average of over 10 year of expertise in the distribution of electronic components. Based in Hongkong, we have already established firm and mutual-benefit business relationships with customers from,Europe,America and south Asia,supplying obsolete and hard-to-find components to meet their specific needs.

With the principle of “Quality Parts,Customers Priority,Honest Operation,and Considerate Service”,our business mainly focus on the distribution of electronic components. Line cards we deal with include Microchip,ALPS,ROHM,Xilinx,Pulse,ON,Everlight and Freescale. Main products comprise IC,Modules,Potentiometer,IC Socket,Relay,Connector.Our parts cover such applications as commercial,industrial, and automotives areas.

We are looking forward to setting up business relationship with you and hope to provide you with the best service and solution. Let us make a better world for our industry!



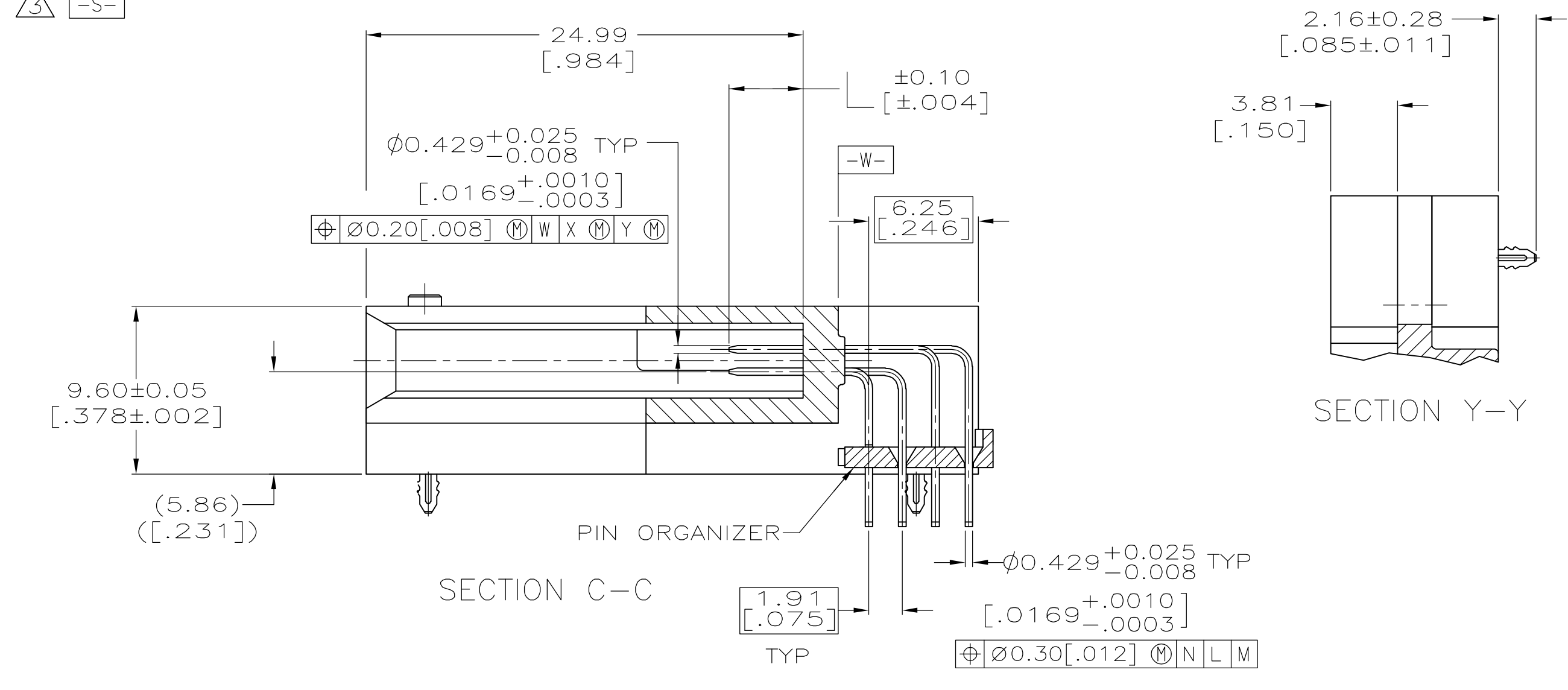
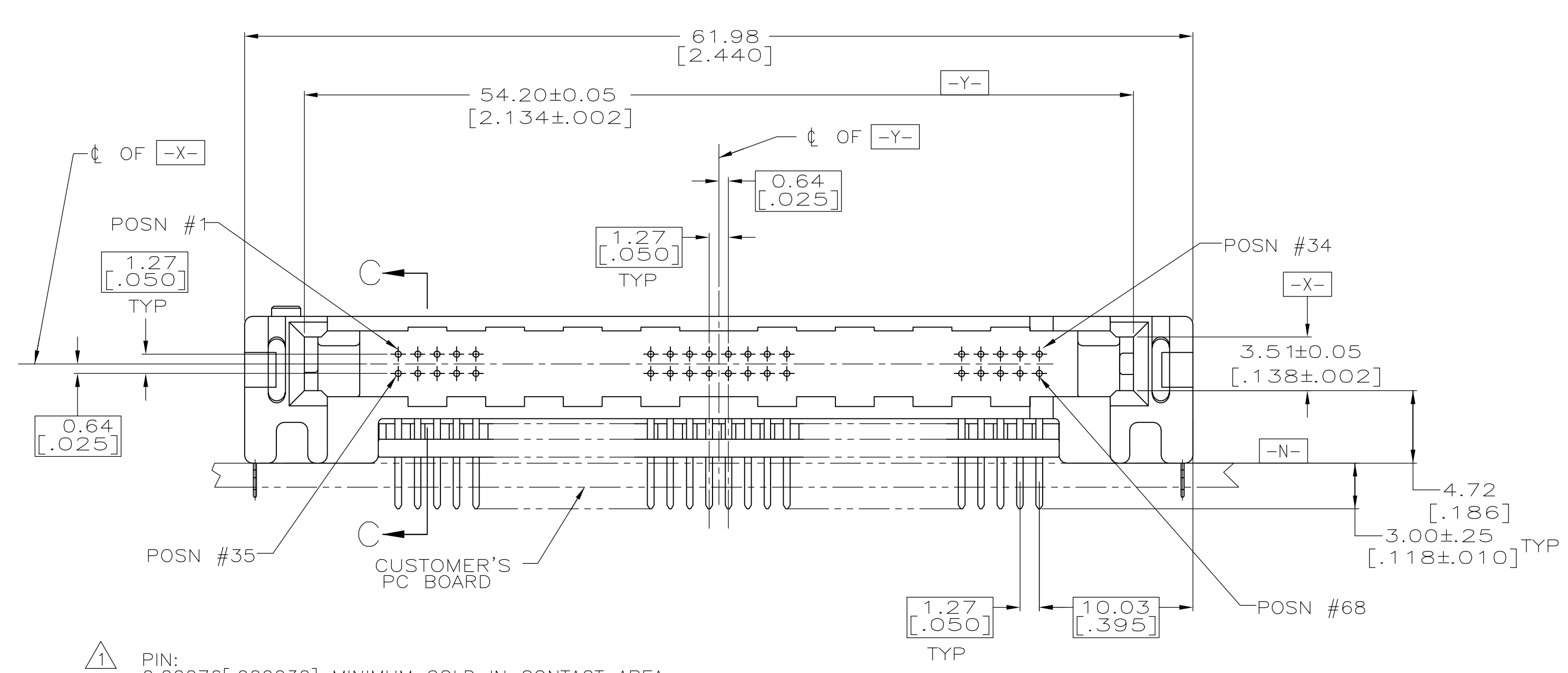
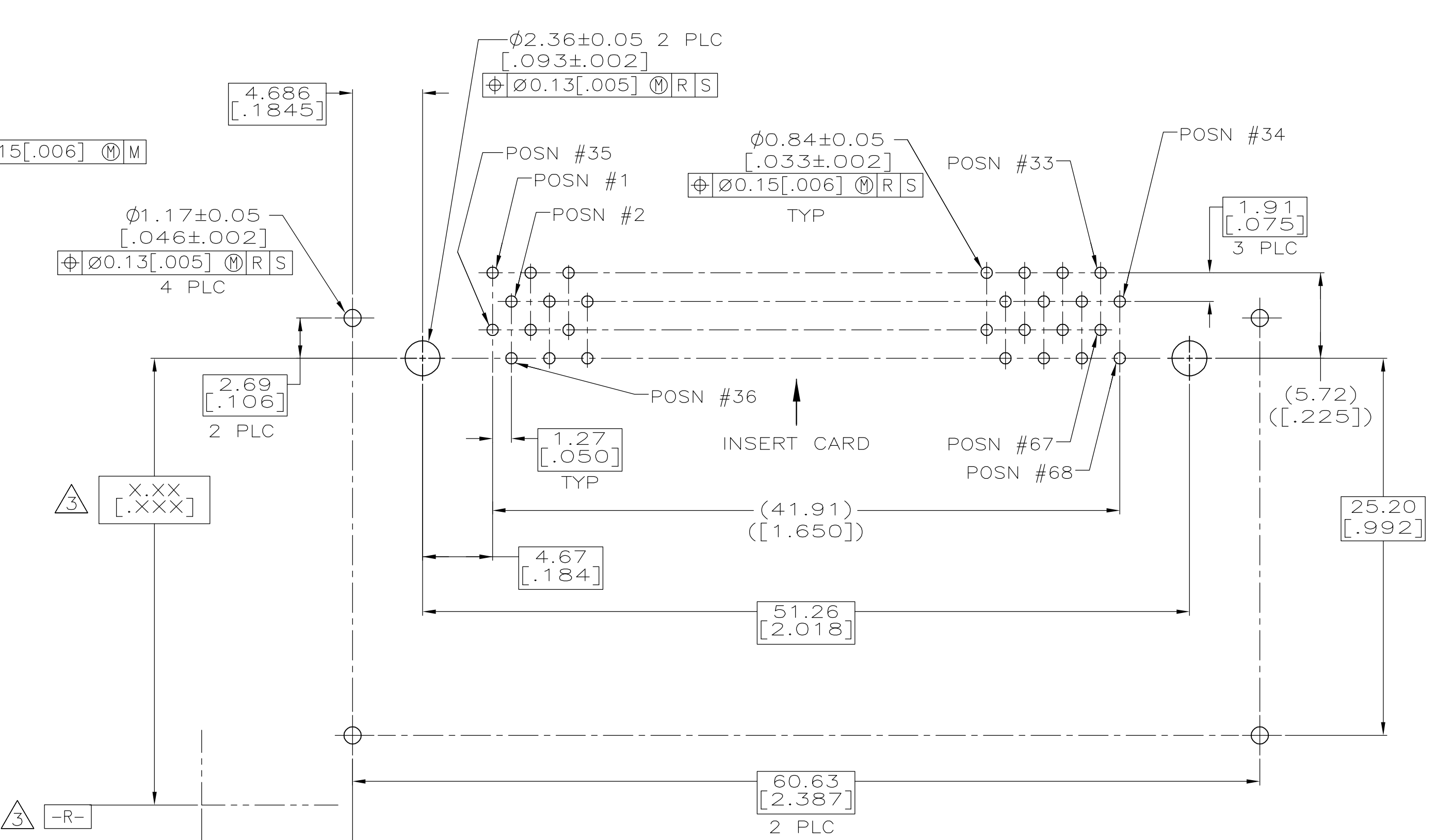
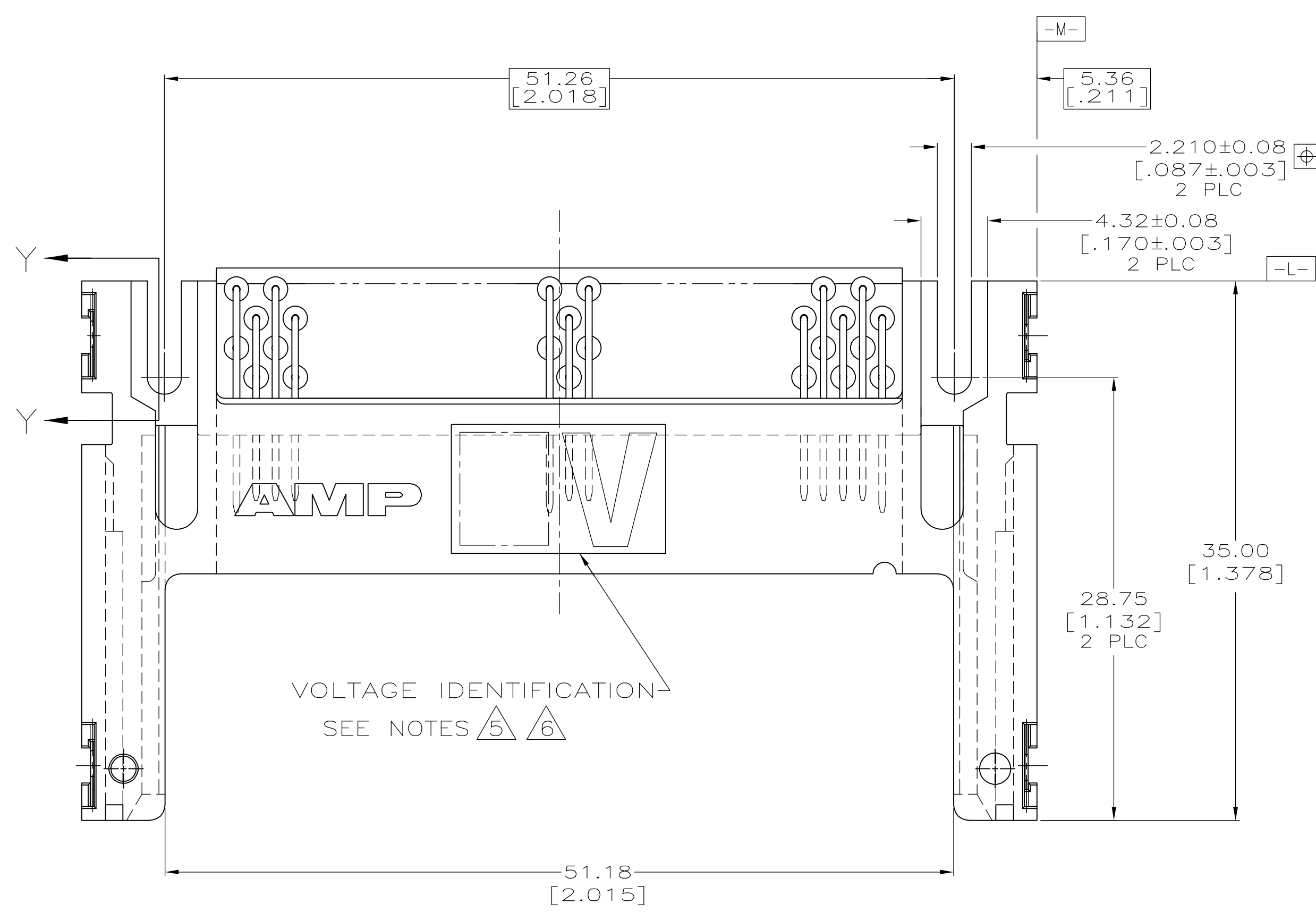
Contact us

Tel: +86-755-8981 8866 Fax: +86-755-8427 6832

Email & Skype: info@chipsmall.com Web: www.chipsmall.com

Address: A1208, Overseas Decoration Building, #122 Zhenhua RD., Futian, Shenzhen, China





- 1. PIN: 0.00076[.000030] MINIMUM GOLD IN CONTACT AREA, 0.00381[.000150] MINIMUM TIN ON SOLDER TAILS, ALL OVER 0.00127[.000050] MINIMUM NICKEL
- 2. CUSTOMER TO PROVIDE CARD GUIDANCE SYSTEM
- 3. DATUMS AND BASIC DIMENSIONS ESTABLISHED BY CUSTOMER
- 4. CONNECTOR REQUIRES USE OF 2 - SIZE 2M SCREWS FOR FASTENING TO PRINTED CIRCUIT BOARD
- 5. ASSEMBLY KEYED FOR 5 VOLT CARDS
- 6. ASSEMBLY KEYED FOR LOW VOLT CARDS (3.3v)
- 7. MATERIAL: HOUSING & ORGANIZER: LCP, COLOR: BLACK; PIN: BRASS; HOLD-DOWN: PHOSPHOR BRONZE
- 8. HOLD-DOWN: TIN PLATED

6	1,17,34	ALL	36,67	5535660-2
	35,51,68	OTHER PINS		
5	1,17,34	ALL	36,67	5535660-1
	35,51,68	OTHER PINS		
VOLTAGE KEYING & IDENTIFICATION	5.0	4.25	3.5	PART NO
	[.197]	[.167]	[.138]	
	"L" (PIN LENGTH) AND LOCATION			

THIS DRAWING IS A CONTROLLED DOCUMENT.		DWN L VARELA - DOCKS 03-28-05	Tyco Electronics Corporation Harrisburg, PA 17105-3608
DIMENSIONS: mm [INCHES]		CHK D.L. GORENC 03-28-05	
TOLERANCES UNLESS OTHERWISE SPECIFIED:		APVD M. WALMSLEY 03-28-05	PIN HEADER ASSY, 68 POSN, RAISED HT, TOP BD MTG, THRU-HOLE, WITH HOLD-DOWNS, AMP MEMORY CARD
0 PLC ±		NAME	
1 PLC ±		PRODUCT SPEC	SIZE CAE CODE DRAWING NO RESTRICTED TO
2 PLC ±		APPLICATION SPEC	
3 PLC ±		WEIGHT 8.5 GRAMS	A1 00779 C=5535660
4 PLC ±		CUSTOMER DRAWING	
ANGLES ±		SCALE 4:1	SHEET 1 OF 1
FINISH		REV 0	

**COPYRIGHT 2005
 TYCO ELECTRONICS CORP
 ALL RIGHTS RESERVED**