



Chipsmall Limited consists of a professional team with an average of over 10 year of expertise in the distribution of electronic components. Based in Hongkong, we have already established firm and mutual-benefit business relationships with customers from,Europe,America and south Asia,supplying obsolete and hard-to-find components to meet their specific needs.

With the principle of “Quality Parts,Customers Priority,Honest Operation,and Considerate Service”,our business mainly focus on the distribution of electronic components. Line cards we deal with include Microchip,ALPS,ROHM,Xilinx,Pulse,ON,Everlight and Freescale. Main products comprise IC,Modules,Potentiometer,IC Socket,Relay,Connector.Our parts cover such applications as commercial,industrial, and automotives areas.

We are looking forward to setting up business relationship with you and hope to provide you with the best service and solution. Let us make a better world for our industry!



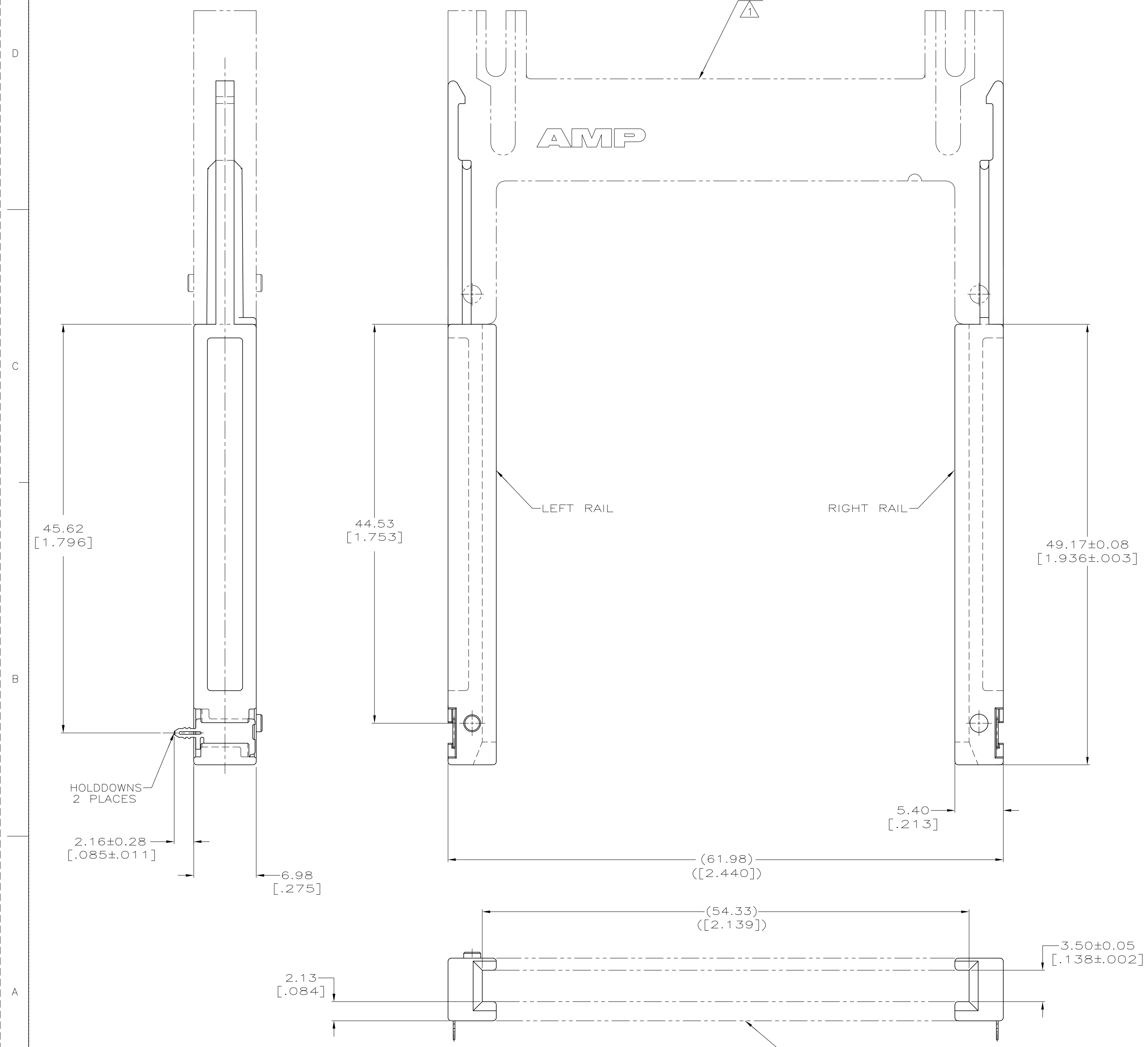
Contact us

Tel: +86-755-8981 8866 Fax: +86-755-8427 6832

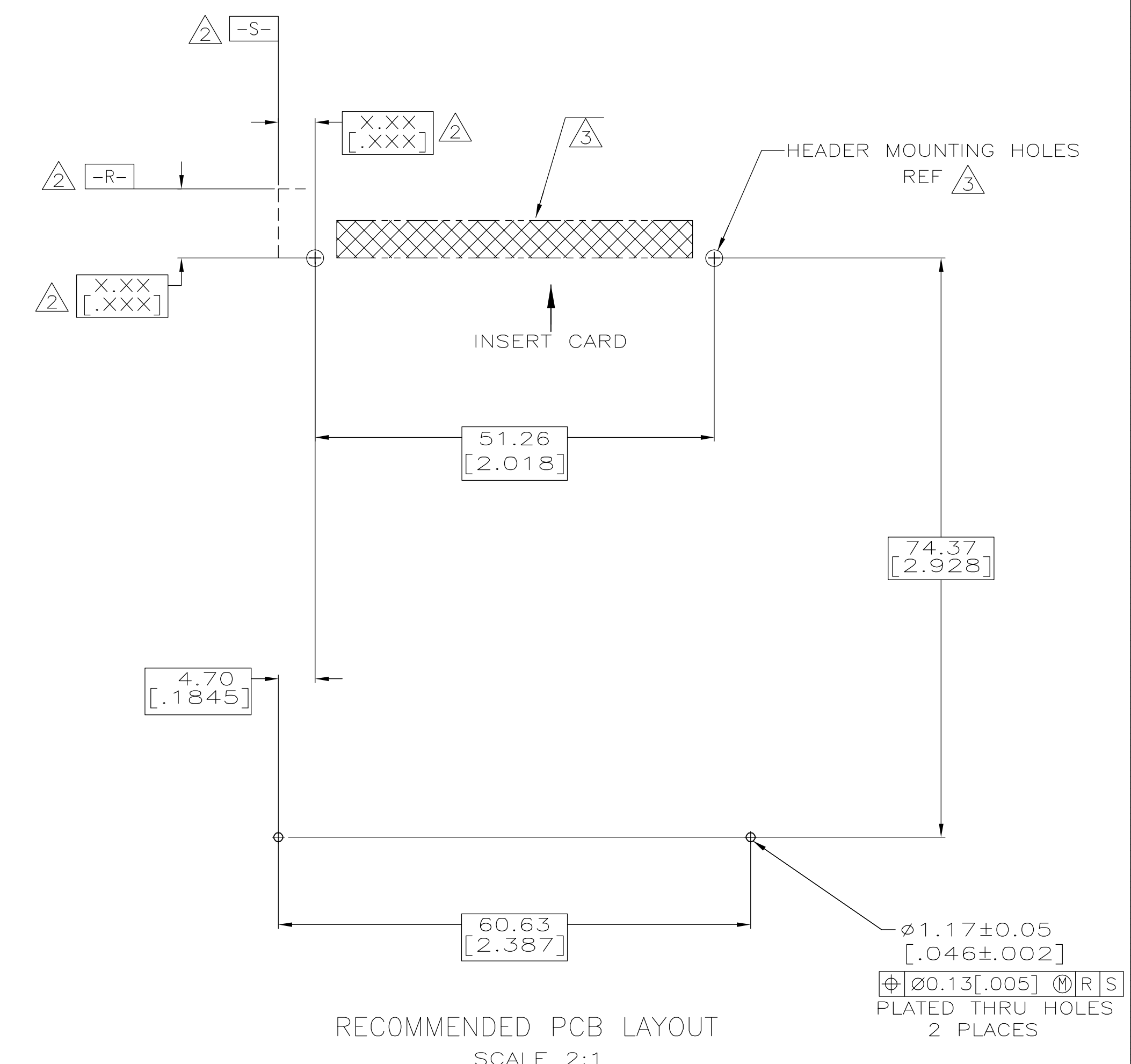
Email & Skype: info@chipsmall.com Web: www.chipsmall.com

Address: A1208, Overseas Decoration Building, #122 Zhenhua RD., Futian, Shenzhen, China





- ⚠ SMT OR THRU-HOLE HEADER ASSY NOT SUPPLIED AND MUST BE ORDERED SEPERATELY. CONTACT AMP INCORPORATED FOR HEADER PART NUMBER
- ⚠ DATUMS AND BASIC DIMENSIONS ESTABLISHED BY CUSTOMER
- ⚠ FOR HEADER PC BOARD LAYOUT SEE APPROPRIATE HEADER ASSEMBLY
- ⚠ MATERIAL:
RAIL: LCP - COLOR: BLACK
HOLD DOWNS: PHOSPHOR BRONZE



RECOMMENDED PCB LAYOUT
SCALE 2:1

RIGHT GUIDE RAIL WITH HOLDDOWN	5535664-2
LEFT GUIDE RAIL WITH HOLDDOWN	5535664-1
DESCRIPTION	PART NO

THIS DRAWING IS A CONTROLLED DOCUMENT.		DWN L VARELA - DOCKS 03-30-05		Tyco Electronics Corporation	
DIMENSIONS: mm [INCHES]		CHK D.L. GORENC 03-30-05		Harrisburg, PA 17105-3608	
TOLERANCES UNLESS OTHERWISE SPECIFIED:		APVD M. WALMSLEY 03-30-05		NAME	
0 PLC ± -		PRODUCT SPEC		GUIDE RAILS, EXTENDED, WITH THRU-HOLE HOLDDOWNS, AMP MEMORY CARD	
1 PLC ± -		APPLICATION SPEC		SIZE CAE CODE DRAWING NO	
2 PLC ± 0.13 [005]		FINISH		RESTRICTED TO	
3 PLC ± -		HOLD DOWNS: TIN		WEIGHT 2.1 GRAMS A1 00779 C=5535664	
4 PLC ± -		MATERIAL		CUSTOMER DRAWING	
ANGLES ± -		SCALE 4:1		SHEET 1 OF 1 REV 0	

**COPYRIGHT 2005
TYCO ELECTRONICS CORP
ALL RIGHTS RESERVED**