



Chipsmall Limited consists of a professional team with an average of over 10 year of expertise in the distribution of electronic components. Based in Hongkong, we have already established firm and mutual-benefit business relationships with customers from,Europe,America and south Asia,supplying obsolete and hard-to-find components to meet their specific needs.

With the principle of “Quality Parts,Customers Priority,Honest Operation,and Considerate Service”,our business mainly focus on the distribution of electronic components. Line cards we deal with include Microchip,ALPS,ROHM,Xilinx,Pulse,ON,Everlight and Freescale. Main products comprise IC,Modules,Potentiometer,IC Socket,Relay,Connector.Our parts cover such applications as commercial,industrial, and automotives areas.

We are looking forward to setting up business relationship with you and hope to provide you with the best service and solution. Let us make a better world for our industry!



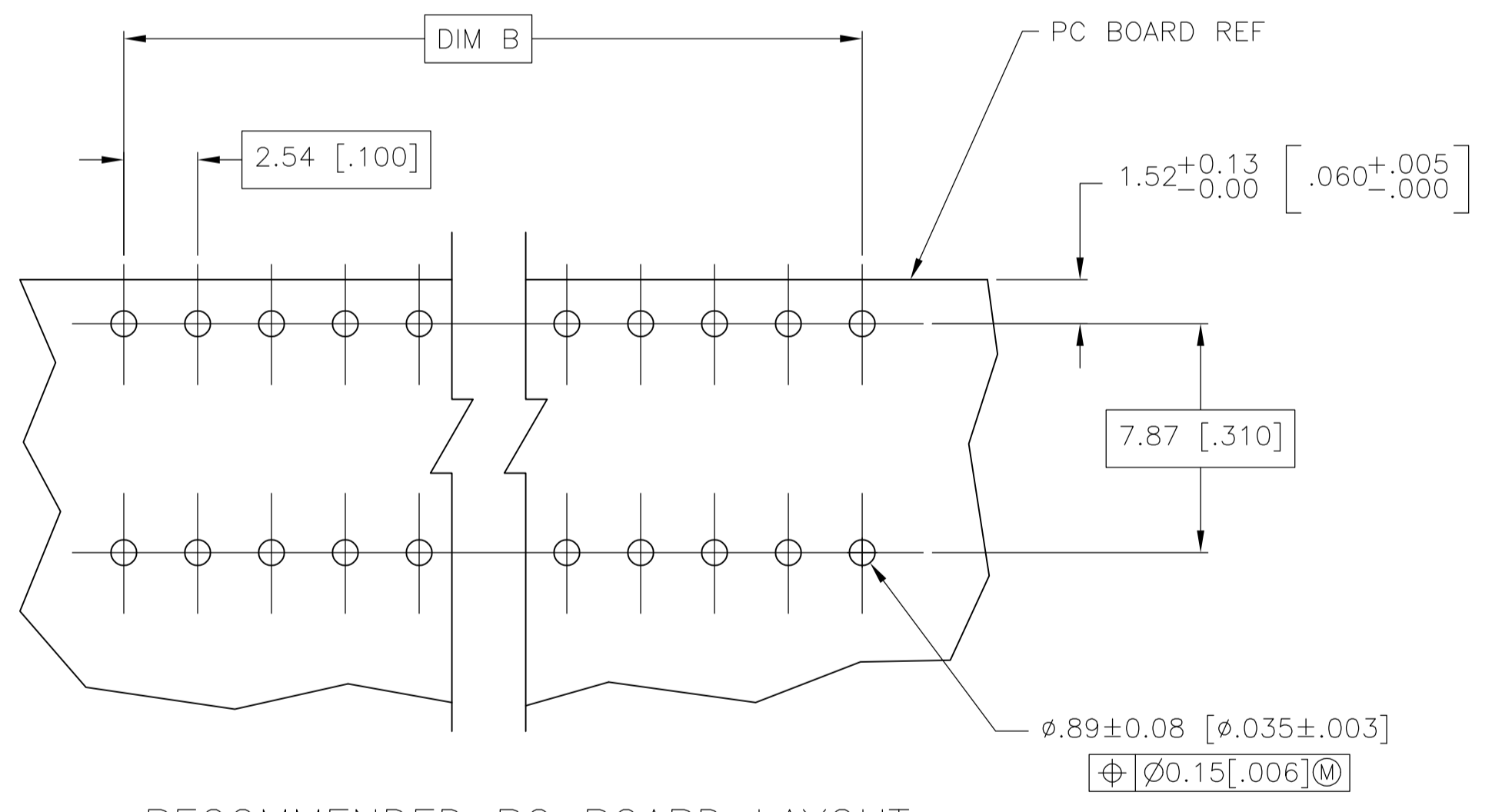
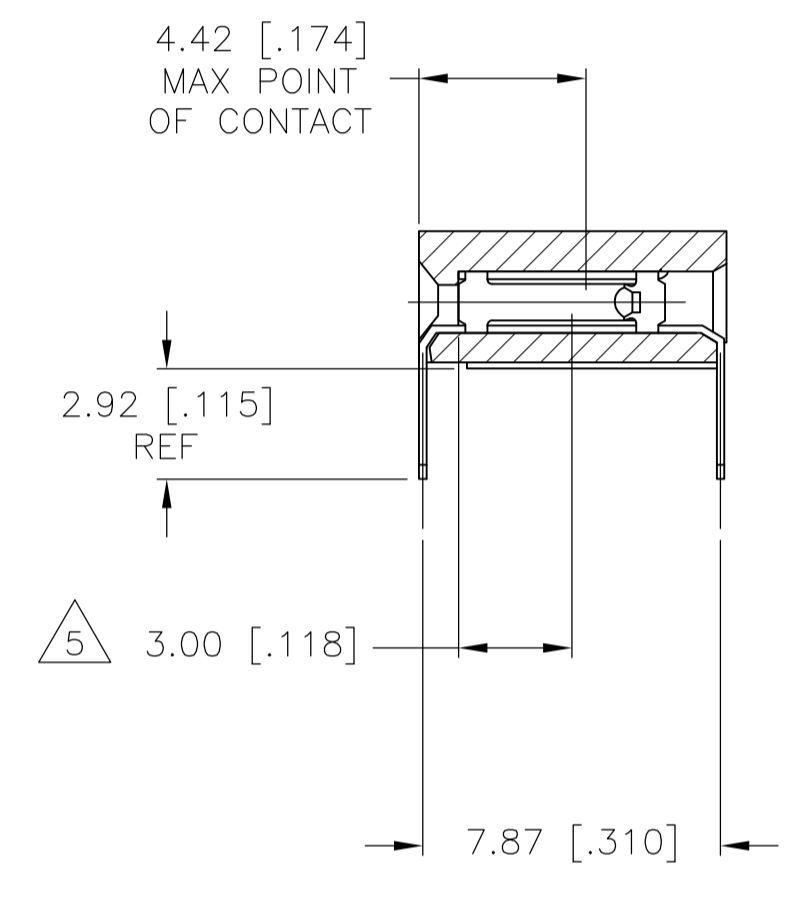
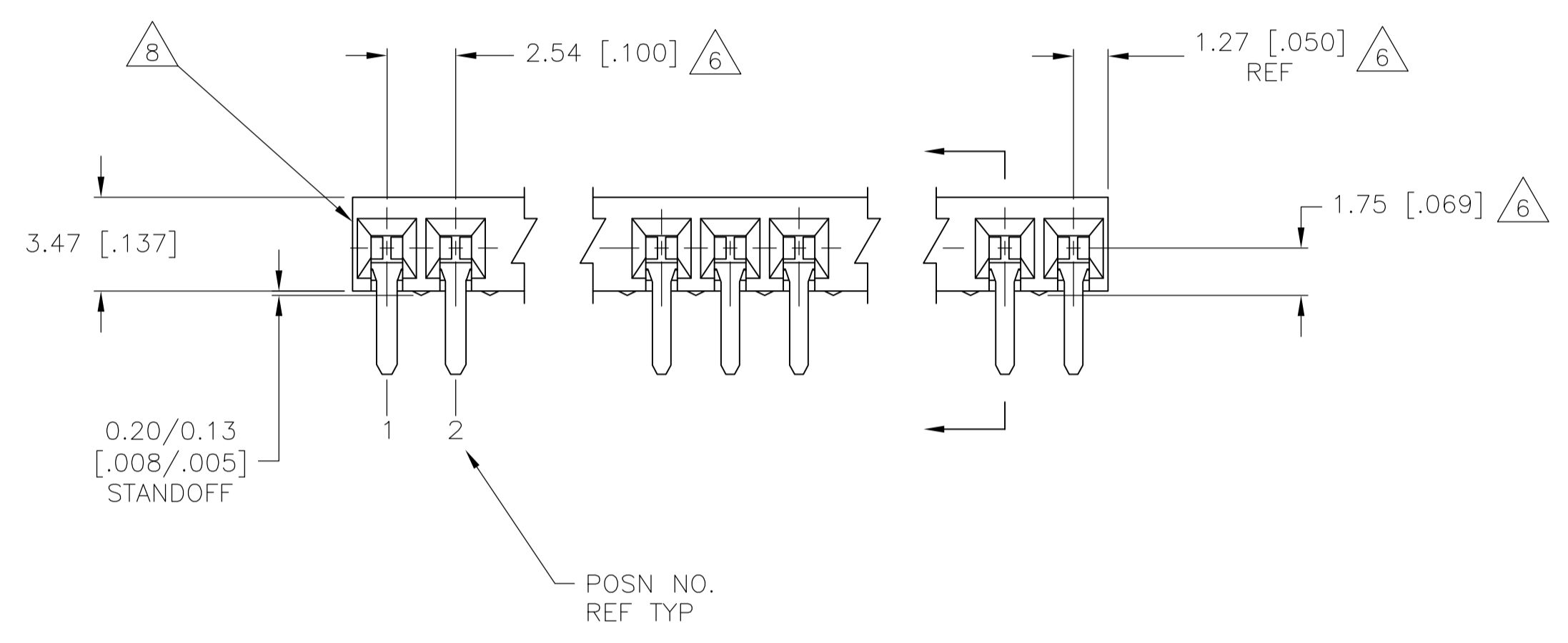
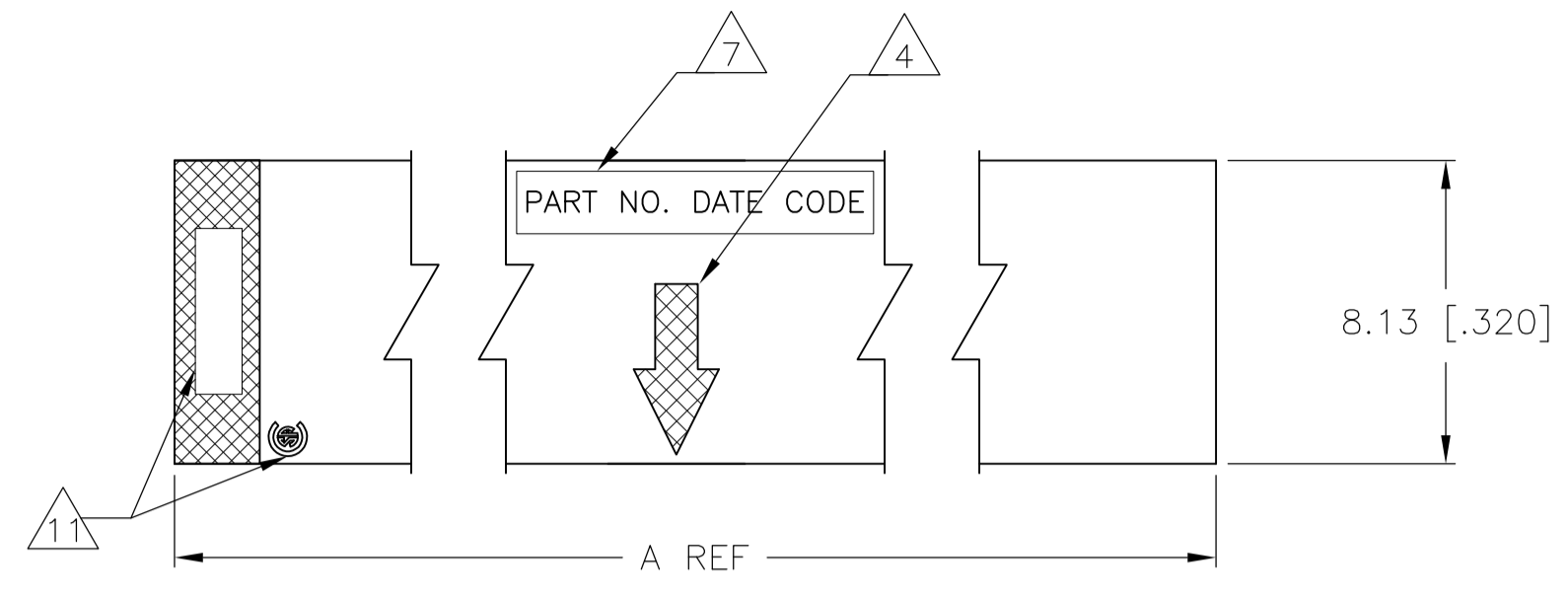
## Contact us

Tel: +86-755-8981 8866 Fax: +86-755-8427 6832

Email & Skype: info@chipsmall.com Web: www.chipsmall.com

Address: A1208, Overseas Decoration Building, #122 Zhenhua RD., Futian, Shenzhen, China





RECOMMENDED PC BOARD LAYOUT

- 1 HOUSING MATERIAL: GLASS FILLED POLYESTER, COLOR- BLACK
- 2 CONTACT MATERIAL: PHOSPHOR BRONZE
- 3 CONTACT FINISH: 0.00076[.000030] THK DUPLEX PLATED GOLD ON CONTACT AREA, 3.81-7.62(.000150-.000300) MATTE TIN ALL OVER 0.00127[.000050] MIN NICKEL
- 4 MOLDED IN ARROW DESIGNATES THE MATING FACE OF THE CONNECTOR
- 5 POINT OF MEASUREMENT FOR PLATING THICKNESS OF CONTACT AREA
- 6 DIMENSIONS PERTAIN TO HOUSING CAVITY CENTERLINES
- 7 PART NUMBER AND DATE CODE MARKED IN APPROXIMATE LOCATION SHOWN, EITHER END
- 8 ALTERNATE LOCATION FOR DATE CODE FOR 2 AND 3 POSITION.
- 9 NO PART NUMBER MARKING REQUIRED FOR THIS PART.
- 10 ROHS 2002/95/EC COMPLIANT.
- 11 TE LOGO AND CSA LOGO ARE MOLDED INTO HOUSING, THIS LOCATION

162.56[6.400]	165.10[6.500]	65	6-5535676-4
160.02[6.300]	162.56[6.400]	64	6-5535676-3
157.48[6.200]	160.02[6.300]	63	6-5535676-2
154.94[6.100]	157.48[6.200]	62	6-5535676-1
152.40[6.000]	154.94[6.100]	61	6-5535676-0
149.86[5.900]	152.40[6.000]	60	5-5535676-9
147.32[5.800]	149.86[5.900]	59	5-5535676-8
144.78[5.700]	147.32[5.800]	58	5-5535676-7
139.70[5.500]	144.78[5.700]	57	5-5535676-6
139.70[5.500]	142.24[5.600]	56	5-5535676-5
137.16[5.400]	139.70[5.500]	55	5-5535676-4
134.62[5.300]	137.16[5.400]	54	5-5535676-3
132.08[5.200]	134.62[5.300]	53	5-5535676-2
129.54[5.100]	132.08[5.200]	52	5-5535676-1
127.00[5.000]	129.54[5.100]	51	5-5535676-0
124.46[4.900]	127.00[5.000]	50	4-5535676-9
121.92[4.800]	124.46[4.900]	49	4-5535676-8
119.38[4.700]	121.92[4.800]	48	4-5535676-7
116.84[4.600]	119.38[4.700]	47	4-5535676-6
114.30[4.500]	116.84[4.600]	46	4-5535676-5
111.76[4.400]	114.30[4.500]	45	4-5535676-4
109.22[4.300]	111.76[4.400]	44	4-5535676-3
106.68[4.200]	109.22[4.300]	43	4-5535676-2
104.14[4.100]	106.68[4.200]	42	4-5535676-1
101.16[4.000]	104.14[4.100]	41	4-5535676-0
99.06[3.900]	101.16[4.000]	40	3-5535676-9
96.52[3.800]	99.06[3.900]	39	3-5535676-8
93.98[3.700]	96.52[3.800]	38	3-5535676-7
91.44[3.600]	93.98[3.700]	37	3-5535676-6
88.90[3.500]	91.44[3.600]	36	3-5535676-5
86.36[3.400]	88.90[3.500]	35	3-5535676-4
83.82[3.300]	86.36[3.400]	34	3-5535676-3
81.28[3.200]	83.82[3.300]	33	3-5535676-2
78.74[3.100]	81.28[3.200]	32	3-5535676-1
76.20[3.000]	78.74[3.100]	31	3-5535676-0
73.66[2.900]	76.20[3.000]	30	2-5535676-9
71.12[2.800]	73.66[2.900]	29	2-5535676-8
68.58[2.700]	71.12[2.800]	28	2-5535676-7
66.04[2.600]	68.58[2.700]	27	2-5535676-6
63.50[2.500]	66.04[2.600]	26	2-5535676-5
60.96[2.400]	63.50[2.500]	25	2-5535676-4
58.42[2.300]	60.96[2.400]	24	2-5535676-3
55.88[2.200]	58.42[2.300]	23	2-5535676-2
53.34[2.100]	55.88[2.200]	22	2-5535676-1
50.80[2.000]	53.34[2.100]	21	2-5535676-0
48.26[1.900]	50.80[2.000]	20	1-5535676-9
45.72[1.800]	48.26[1.900]	19	1-5535676-8
43.18[1.700]	45.72[1.800]	18	1-5535676-7
40.64[1.600]	43.18[1.700]	17	1-5535676-6
38.10[1.500]	40.64[1.600]	16	1-5535676-5
35.56[1.400]	38.10[1.500]	15	1-5535676-4
33.02[1.300]	35.56[1.400]	14	1-5535676-3
30.48[1.200]	33.02[1.300]	13	1-5535676-2
27.94[1.100]	30.48[1.200]	12	1-5535676-1
25.40[1.000]	27.94[1.100]	11	1-5535676-0
22.86[.900]	25.40[1.000]	10	5535676-9
17.78[.700]	22.86[.900]	9	5535676-8
17.78[.700]	20.32[.800]	8	5535676-7
15.24[.600]	17.78[.700]	7	5535676-6
12.70[.500]	15.24[.600]	6	5535676-5
10.16[.400]	12.70[.500]	5	5535676-4
7.62[.300]	10.16[.400]	4	5535676-3
5.08[.200]	7.62[.300]	3	5535676-2
2.54[.100]	5.08[.200]	2	5535676-1

THIS DRAWING IS A CONTROLLED DOCUMENT. D5NDV04

**STE** TE Connectivity

DIMENSIONS: mm	TOLERANCES UNLESS OTHERWISE SPECIFIED:	0 PLC ± -	1 PLC ± -	2 PLC ± -	3 PLC ± 0.13[.005]	4 PLC ± -	ANGLES ± -
MATERIAL		FINISH		WEIGHT	SCALE 5:1	SHEET 1 of 1	REV A5

CUSTOMER DRAWING