



Chipsmall Limited consists of a professional team with an average of over 10 year of expertise in the distribution of electronic components. Based in Hongkong, we have already established firm and mutual-benefit business relationships with customers from,Europe,America and south Asia,supplying obsolete and hard-to-find components to meet their specific needs.

With the principle of “Quality Parts,Customers Priority,Honest Operation,and Considerate Service”,our business mainly focus on the distribution of electronic components. Line cards we deal with include Microchip,ALPS,ROHM,Xilinx,Pulse,ON,Everlight and Freescale. Main products comprise IC,Modules,Potentiometer,IC Socket,Relay,Connector.Our parts cover such applications as commercial,industrial, and automotives areas.

We are looking forward to setting up business relationship with you and hope to provide you with the best service and solution. Let us make a better world for our industry!



Contact us

Tel: +86-755-8981 8866 Fax: +86-755-8427 6832

Email & Skype: info@chipsmall.com Web: www.chipsmall.com

Address: A1208, Overseas Decoration Building, #122 Zhenhua RD., Futian, Shenzhen, China

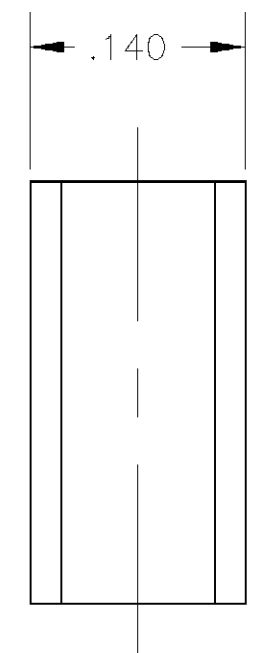
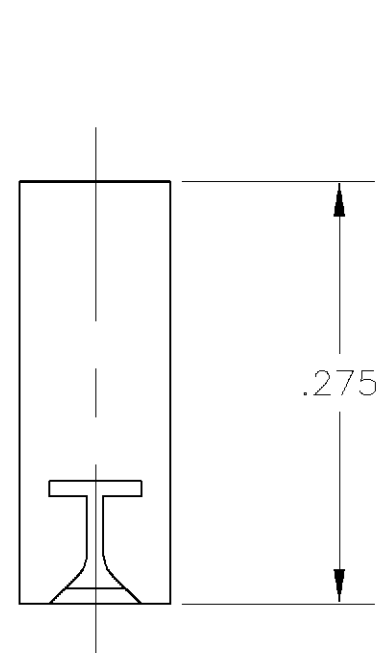
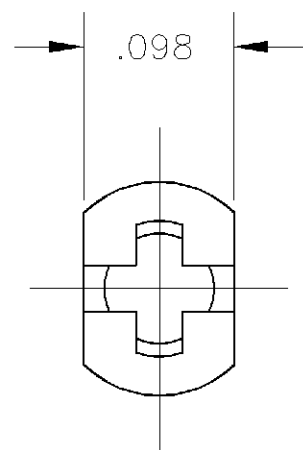


THIS DRAWING IS UNPUBLISHED. RELEASED FOR PUBLICATION
 © COPYRIGHT BY TYCO ELECTRONICS CORPORATION. ALL RIGHTS RESERVED.

LOC	DIST	REVISIONS					
AA	27	P	LTR	DESCRIPTION	DATE	DWN	APVD
		C		REV PER 0G3A-0504-01	24SEP01	JR	EH

1 ALL DIMENSIONS SHOWN ARE FOR REFERENCE ONLY UNLESS OTHERWISE SPECIFIED.

△ 2 PREPRODUCTION - FASR REQ



△ 2 553593-1
PART NO.

THIS DRAWING IS A CONTROLLED DOCUMENT.		DWN ED HOWARD 01JUN01	AMP Tyco Electronics Corporation City, State, Zip		
DIMENSIONS: INCHES		CHK JEFF RUTH 13/JUN/01	NAME CAP, STUFFER, AMP BARREL, .070 DIA.		
TOLERANCES UNLESS OTHERWISE SPECIFIED:		APVD TOM SCHWARTZ 13/JUN/01	PRODUCT SPEC		
<ul style="list-style-type: none"> 0 PLC ± - 1 PLC ± - 2 PLC ± - 3 PLC ± - 4 PLC ± - ANGLES ± - 		APPLICATION SPEC		RESTRICTED TO	
MATERIAL NYLON(NATURAL)	FINISH -	WEIGHT -	SIZE A3	CAGE CODE 00779	DRAWING NO C-553593
CUSTOMER DRAWING			SCALE 8:1	SHEET 1 OF 1	REV C