



Chipsmall Limited consists of a professional team with an average of over 10 year of expertise in the distribution of electronic components. Based in Hongkong, we have already established firm and mutual-benefit business relationships with customers from,Europe,America and south Asia,supplying obsolete and hard-to-find components to meet their specific needs.

With the principle of “Quality Parts,Customers Priority,Honest Operation,and Considerate Service”,our business mainly focus on the distribution of electronic components. Line cards we deal with include Microchip,ALPS,ROHM,Xilinx,Pulse,ON,Everlight and Freescale. Main products comprise IC,Modules,Potentiometer,IC Socket,Relay,Connector.Our parts cover such applications as commercial,industrial, and automotives areas.

We are looking forward to setting up business relationship with you and hope to provide you with the best service and solution. Let us make a better world for our industry!



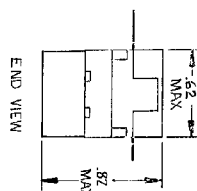
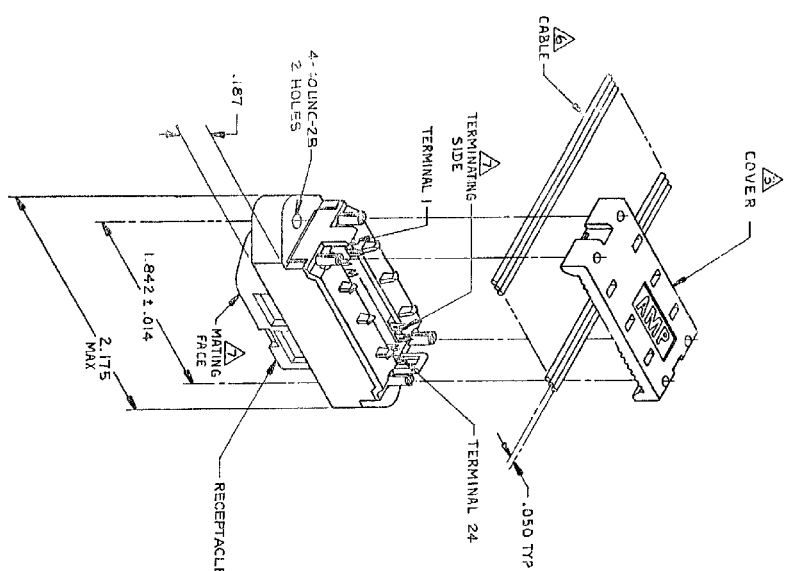
Contact us

Tel: +86-755-8981 8866 Fax: +86-755-8427 6832

Email & Skype: info@chipsmall.com Web: www.chipsmall.com

Address: A1208, Overseas Decoration Building, #122 Zhenhua RD., Futian, Shenzhen, China





1. THE CONTACT SURFACES OF THE TERMINALS ARE COATED WITH LUBRICANT.
2. MATERIAL: HOUSING & COVER - THERMOPLASTIC, BLACK, TERMINALS - PHOS BRONZE PLATED WITH EITHER .000050 MINIMUM GOLD PLATE OR GOLD FLASH OVER PALLADIUM NICKEL PLATE, .000050 MIN TOTAL ON MATING SURFACE. GOLD FLASH PLATED ON TERMINATING SIDE; .000050 MINIMUM NICKEL UNDERPLATE OVER ENTIRE TERMINAL.
3. COVER SHOWN LOOSE BUT SHIPPED ASSEMBLED.
4. WIRE RANGE: 26 AWG SOLID THRU 30 AWG SOLID AND 28 AWG STRANDED RIBBON CABLE.
5. ALL DIMENSIONS SHOWN ARE FOR REFERENCE ONLY UNLESS OTHERWISE SPECIFIED.
6. FLAT CABLE SHALL BE FURNISHED BY CUSTOMER.
7. MATING FACE CONSISTS OF TWO ROWS OF TERMINALS ON .085 CENTERS. TERMINATING SIDE CONSISTS OF TERMINALS ON .100 CENTERS FOR AN EFFECTIVE .050 TERMINATION.
8. FOR MORE INFORMATION REFER TO AMP PRODUCT SPECIFICATION 108-6076 & APPLICATION SPEC 114-6030.

THIS DRAWING IS A CONTROLLED DOCUMENT:		REV. 2		DATE 15/MAR/07	
DRAWING NO. 553599		REV. 00		DATE 17/MAR/08	
DRAWING TITLE: RECEPTACLE ASSEMBLY, 24 POSITION		REV. 01		DATE 17/MAR/08	
DRAWING AUTHOR: [Signature]		REV. 02		DATE 17/MAR/08	
DRAWING CHECKER: [Signature]		REV. 03		DATE 17/MAR/08	
DRAWING APPROVER: [Signature]		REV. 04		DATE 17/MAR/08	
DRAWING PART NUMBER: 553599-1		REV. 05		DATE 17/MAR/08	
DRAWING SCALE: 2:1		REV. 06		DATE 17/MAR/08	
DRAWING SHEET: 1 OF 1		REV. 07		DATE 17/MAR/08	
DRAWING PART NUMBER: 553599		REV. 08		DATE 17/MAR/08	
DRAWING SCALE: 2:1		REV. 09		DATE 17/MAR/08	
DRAWING SHEET: 1 OF 1		REV. 10		DATE 17/MAR/08	