



Chipsmall Limited consists of a professional team with an average of over 10 year of expertise in the distribution of electronic components. Based in Hongkong, we have already established firm and mutual-benefit business relationships with customers from,Europe,America and south Asia,supplying obsolete and hard-to-find components to meet their specific needs.

With the principle of “Quality Parts,Customers Priority,Honest Operation,and Considerate Service”,our business mainly focus on the distribution of electronic components. Line cards we deal with include Microchip,ALPS,ROHM,Xilinx,Pulse,ON,Everlight and Freescale. Main products comprise IC,Modules,Potentiometer,IC Socket,Relay,Connector.Our parts cover such applications as commercial,industrial, and automotives areas.

We are looking forward to setting up business relationship with you and hope to provide you with the best service and solution. Let us make a better world for our industry!



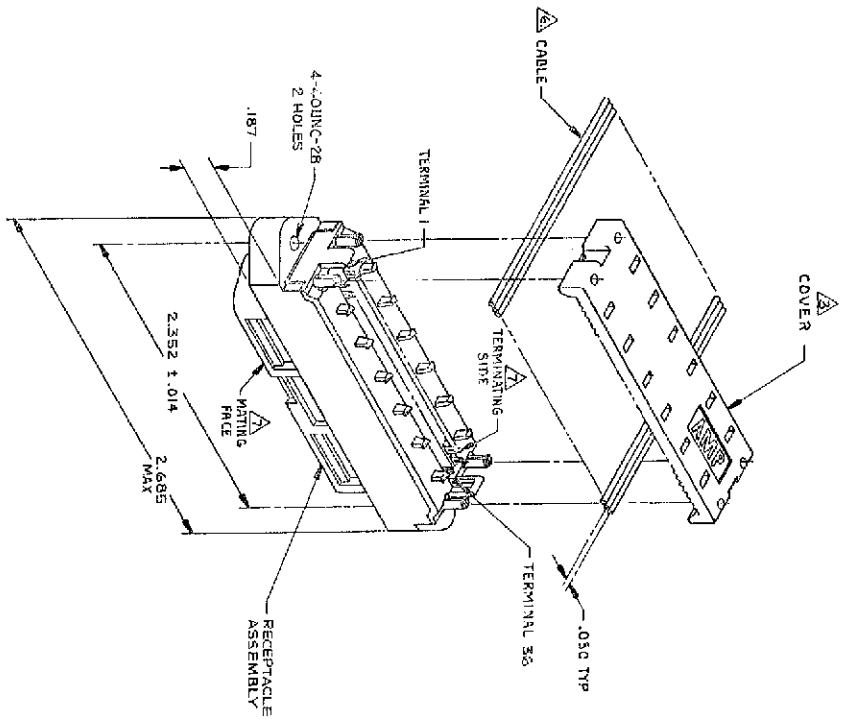
## Contact us

Tel: +86-755-8981 8866 Fax: +86-755-8427 6832

Email & Skype: info@chipsmall.com Web: www.chipsmall.com

Address: A1208, Overseas Decoration Building, #122 Zhenhua RD., Futian, Shenzhen, China





1. THE CONTACT SURFACES OF THE TERMINALS ARE COATED WITH LUBRICANT.

2. MATERIAL: HOUSING & COVER - THERMOPLASTIC, BLACK. TERMINALS - PHOS BRONZE PLATED WITH EITHER .000030 MINIMUM GOLD PLATE OR GOLD FLASH OVER PALLADIUM NICKEL PLATE, .000030 MIN TOTAL ON MATING SURFACE. GOLD FLASH PLATED ON TERMINATING SIDE. .000050 MINIMUM NICKEL UNDERPLATE OVER ENTIRE TERMINAL.
3. COVER SHOWN LOOSE BUT SHIPPED ASSEMBLED.
4. WIRE RANGE: 26 AWG SOLID THRU 30 AWG SOLID AND 28 AWG STRANDED RIBBON CABLE.
5. ALL DIMENSIONS SHOWN ARE FOR REFERENCE ONLY UNLESS OTHERWISE SPECIFIED.
6. FLAT CABLE SHALL BE FURNISHED BY CUSTOMER.
7. MATING FACE CONSISTS OF TWO ROWS OF TERMINALS ON .085 CENTERS, TERMINATING SIDE CONSISTS OF TERMINALS ON .100 CENTERS FOR AN EFFECTIVE .050 TERMINATION.

B. FOR MORE INFORMATION REFER TO AMP PRODUCT SPECIFICATION 108-8076 & APPLICATION SPEC 114-6030.

THIS DRAWING IS A CONTROLLED DOCUMENT		REV		DATE		BY	
1	INITIALS	2	REVAL	15/04/07	15/04/07	3	REVAL
2	INITIALS	4	W. MILLHAUSER	15/04/07	15/04/07	5	REVAL
3	INITIALS	6	REVAL	15/04/07	15/04/07	7	REVAL
4	INITIALS	8	REVAL	15/04/07	15/04/07	9	REVAL
5	INITIALS	10	REVAL	15/04/07	15/04/07	11	REVAL
6	INITIALS	12	REVAL	15/04/07	15/04/07	13	REVAL
7	INITIALS	14	REVAL	15/04/07	15/04/07	15	REVAL
8	INITIALS	16	REVAL	15/04/07	15/04/07	17	REVAL
9	INITIALS	18	REVAL	15/04/07	15/04/07	19	REVAL
10	INITIALS	20	REVAL	15/04/07	15/04/07	21	REVAL
11	INITIALS	22	REVAL	15/04/07	15/04/07	23	REVAL
12	INITIALS	24	REVAL	15/04/07	15/04/07	25	REVAL
13	INITIALS	26	REVAL	15/04/07	15/04/07	27	REVAL
14	INITIALS	28	REVAL	15/04/07	15/04/07	29	REVAL
15	INITIALS	30	REVAL	15/04/07	15/04/07	31	REVAL
16	INITIALS	32	REVAL	15/04/07	15/04/07	33	REVAL
17	INITIALS	34	REVAL	15/04/07	15/04/07	35	REVAL
18	INITIALS	36	REVAL	15/04/07	15/04/07	37	REVAL
19	INITIALS	38	REVAL	15/04/07	15/04/07	39	REVAL
20	INITIALS	40	REVAL	15/04/07	15/04/07	41	REVAL
21	INITIALS	42	REVAL	15/04/07	15/04/07	43	REVAL
22	INITIALS	44	REVAL	15/04/07	15/04/07	45	REVAL
23	INITIALS	46	REVAL	15/04/07	15/04/07	47	REVAL
24	INITIALS	48	REVAL	15/04/07	15/04/07	49	REVAL
25	INITIALS	50	REVAL	15/04/07	15/04/07	51	REVAL
26	INITIALS	52	REVAL	15/04/07	15/04/07	53	REVAL
27	INITIALS	54	REVAL	15/04/07	15/04/07	55	REVAL
28	INITIALS	56	REVAL	15/04/07	15/04/07	57	REVAL
29	INITIALS	58	REVAL	15/04/07	15/04/07	59	REVAL
30	INITIALS	60	REVAL	15/04/07	15/04/07	61	REVAL
31	INITIALS	62	REVAL	15/04/07	15/04/07	63	REVAL
32	INITIALS	64	REVAL	15/04/07	15/04/07	65	REVAL
33	INITIALS	66	REVAL	15/04/07	15/04/07	67	REVAL
34	INITIALS	68	REVAL	15/04/07	15/04/07	69	REVAL
35	INITIALS	70	REVAL	15/04/07	15/04/07	71	REVAL
36	INITIALS	72	REVAL	15/04/07	15/04/07	73	REVAL
37	INITIALS	74	REVAL	15/04/07	15/04/07	75	REVAL
38	INITIALS	76	REVAL	15/04/07	15/04/07	77	REVAL
39	INITIALS	78	REVAL	15/04/07	15/04/07	79	REVAL
40	INITIALS	80	REVAL	15/04/07	15/04/07	81	REVAL
41	INITIALS	82	REVAL	15/04/07	15/04/07	83	REVAL
42	INITIALS	84	REVAL	15/04/07	15/04/07	85	REVAL
43	INITIALS	86	REVAL	15/04/07	15/04/07	87	REVAL
44	INITIALS	88	REVAL	15/04/07	15/04/07	89	REVAL
45	INITIALS	90	REVAL	15/04/07	15/04/07	91	REVAL
46	INITIALS	92	REVAL	15/04/07	15/04/07	93	REVAL
47	INITIALS	94	REVAL	15/04/07	15/04/07	95	REVAL
48	INITIALS	96	REVAL	15/04/07	15/04/07	97	REVAL
49	INITIALS	98	REVAL	15/04/07	15/04/07	99	REVAL
50	INITIALS	100	REVAL	15/04/07	15/04/07	101	REVAL

AS SHOWN	553801-1
DESCRIPTION	PART NUMBER

553601