



Chipsmall Limited consists of a professional team with an average of over 10 year of expertise in the distribution of electronic components. Based in Hongkong, we have already established firm and mutual-benefit business relationships with customers from,Europe,America and south Asia,supplying obsolete and hard-to-find components to meet their specific needs.

With the principle of “Quality Parts,Customers Priority,Honest Operation,and Considerate Service”,our business mainly focus on the distribution of electronic components. Line cards we deal with include Microchip,ALPS,ROHM,Xilinx,Pulse,ON,Everlight and Freescale. Main products comprise IC,Modules,Potentiometer,IC Socket,Relay,Connector.Our parts cover such applications as commercial,industrial, and automotives areas.

We are looking forward to setting up business relationship with you and hope to provide you with the best service and solution. Let us make a better world for our industry!



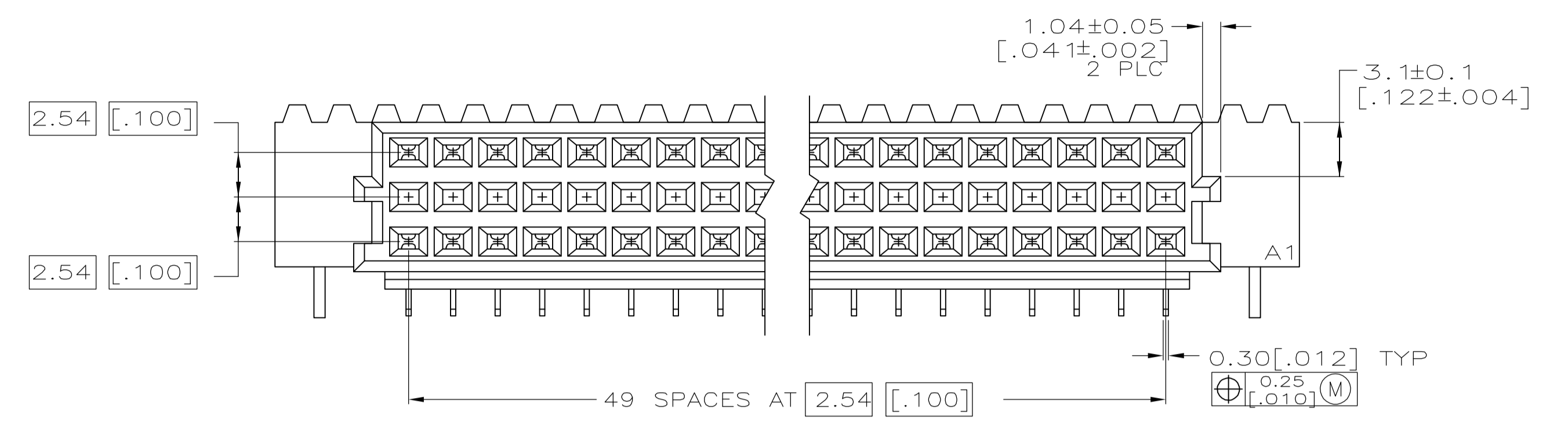
Contact us

Tel: +86-755-8981 8866 Fax: +86-755-8427 6832

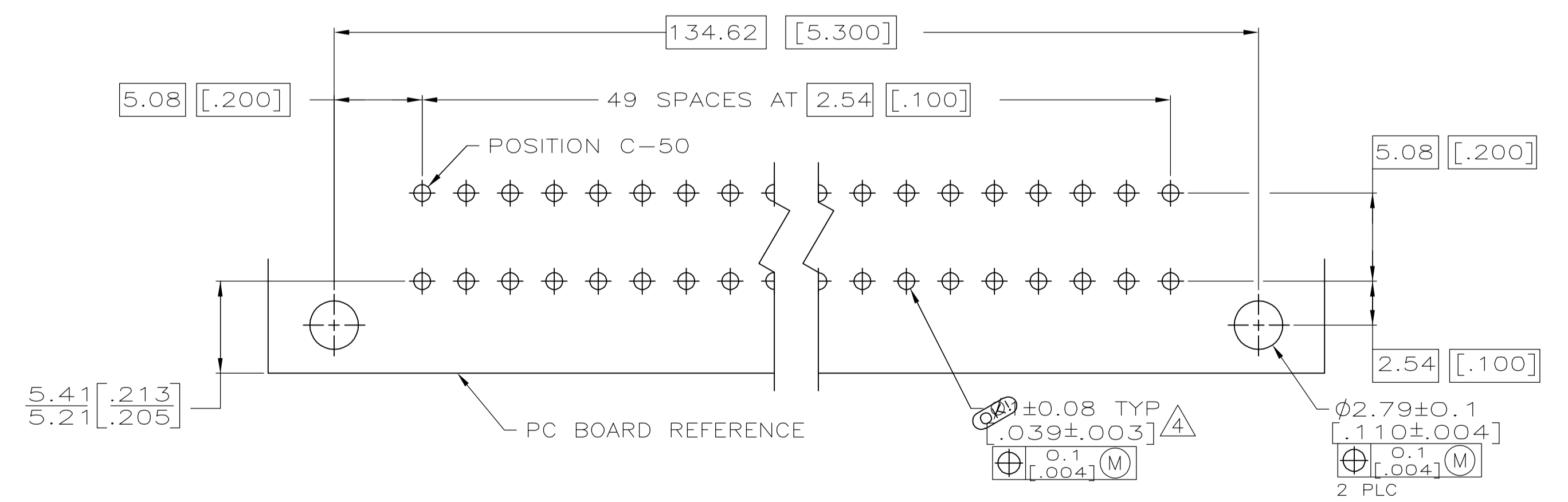
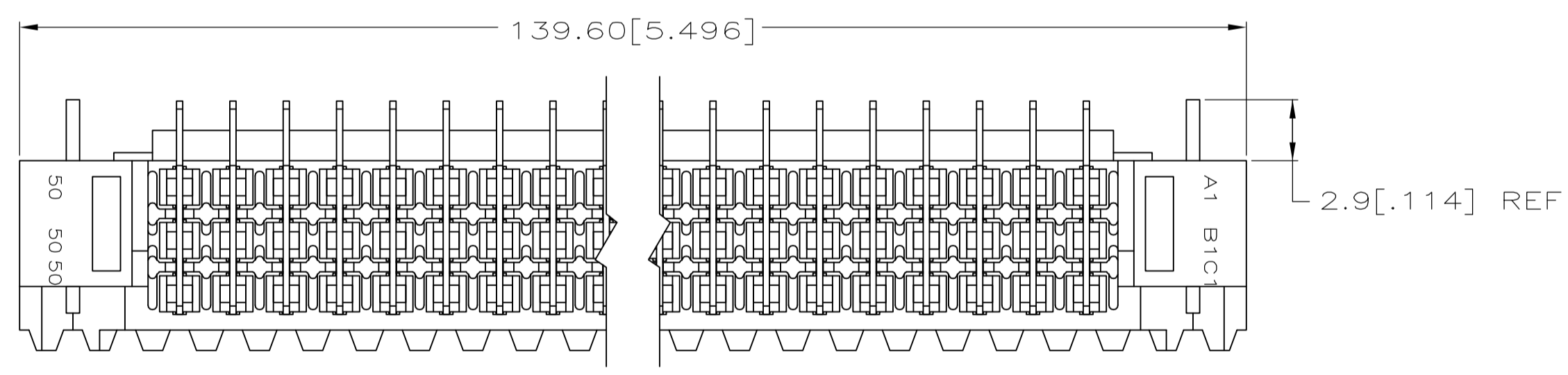
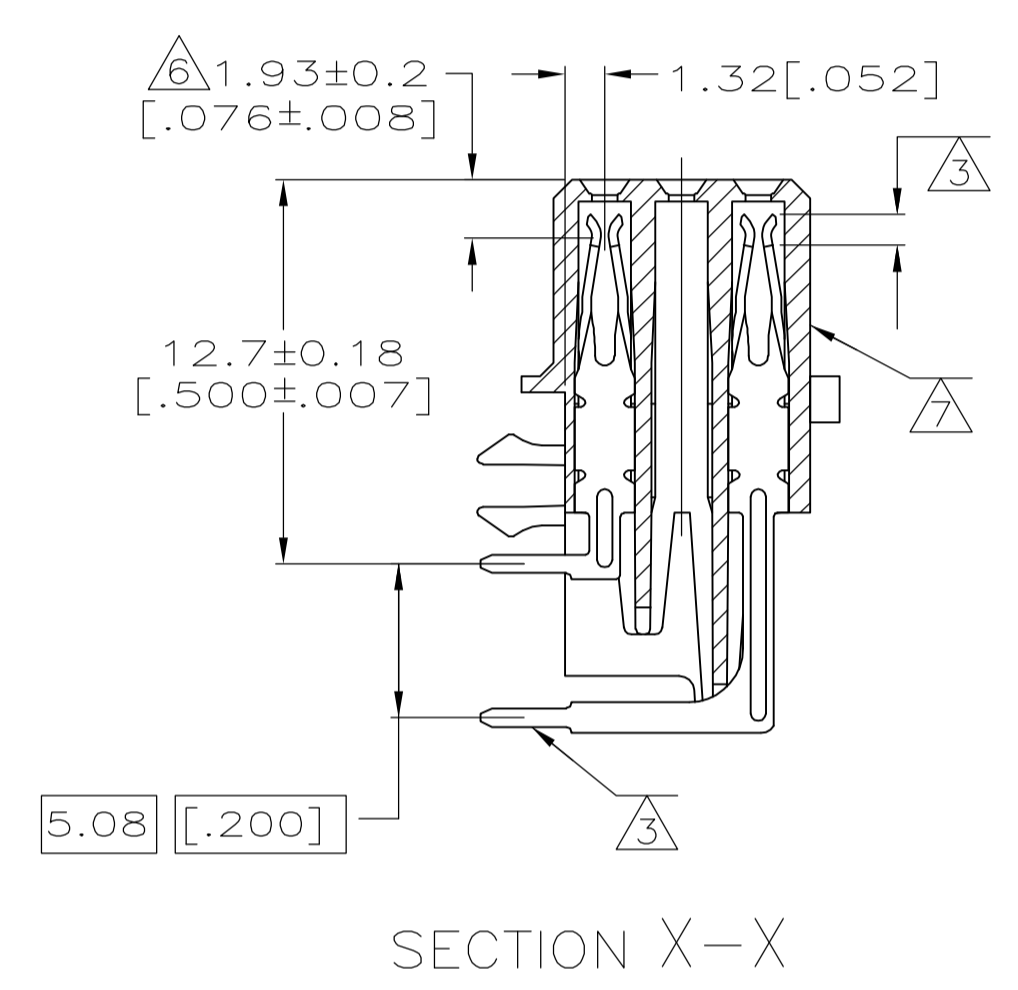
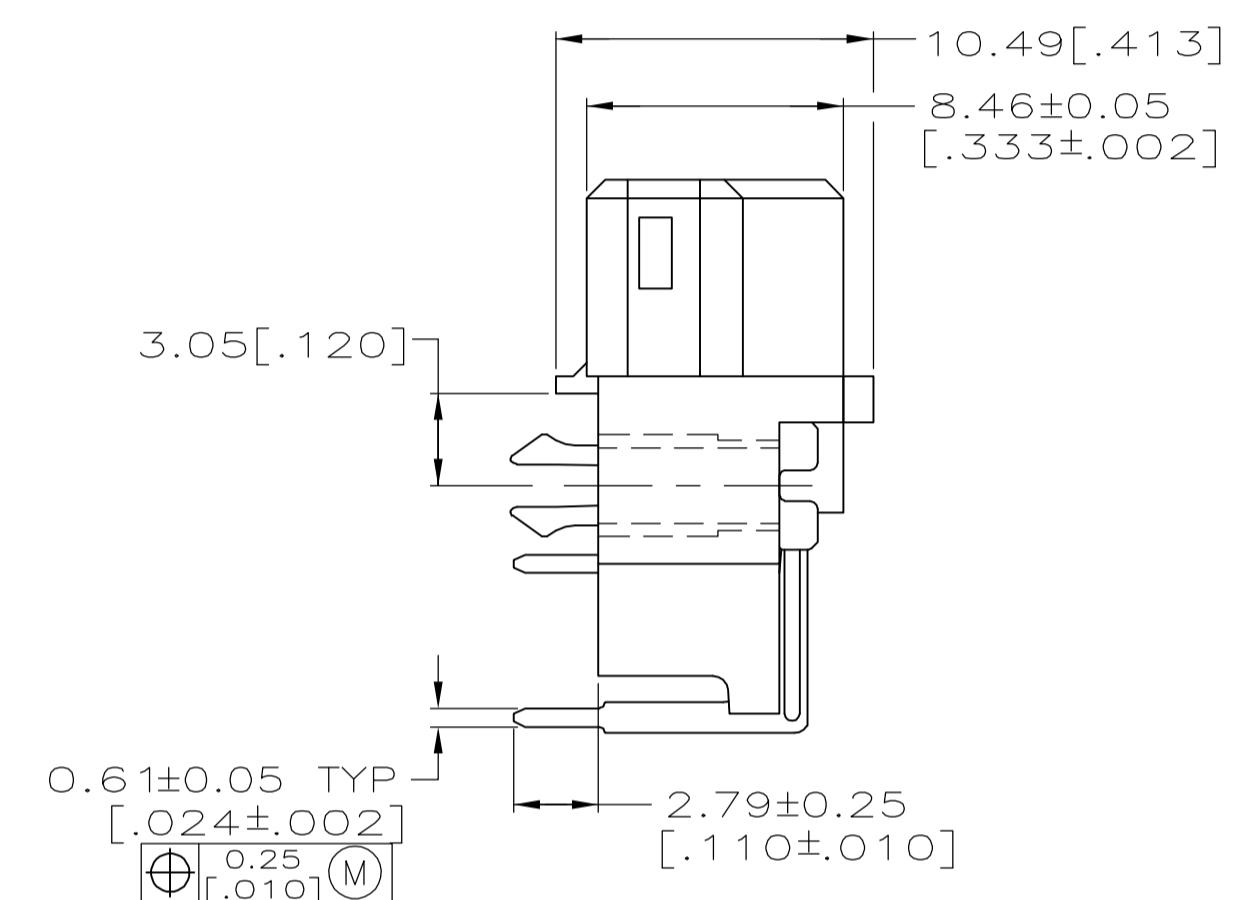
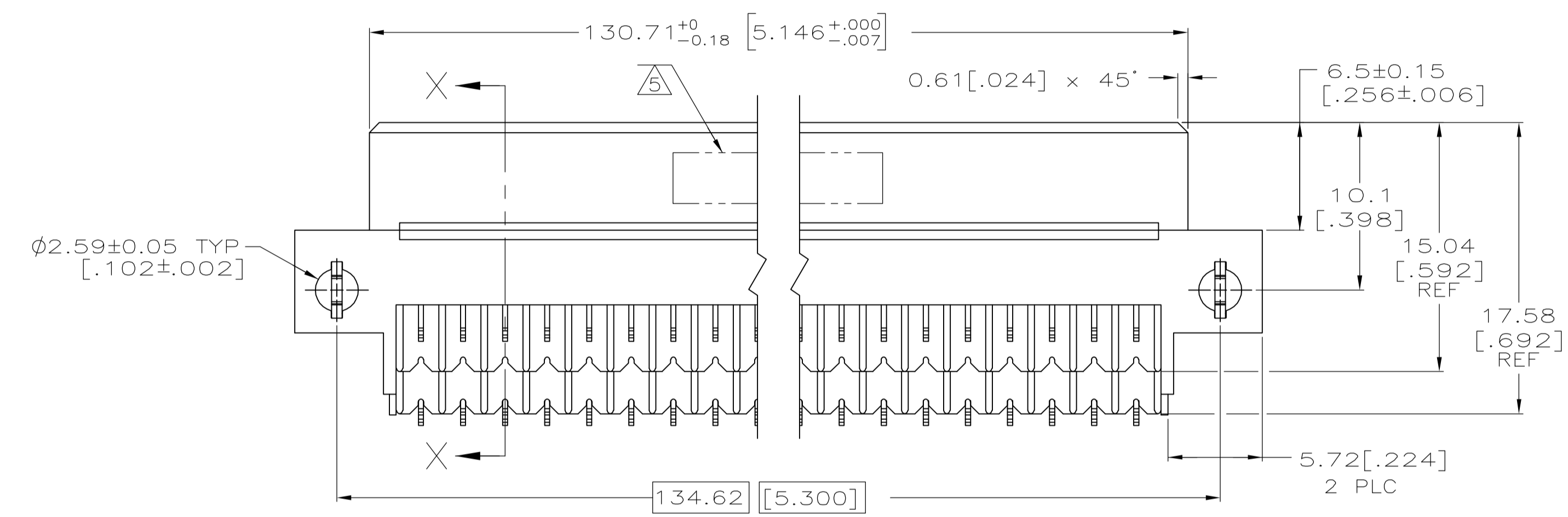
Email & Skype: info@chipsmall.com Web: www.chipsmall.com

Address: A1208, Overseas Decoration Building, #122 Zhenhua RD., Futian, Shenzhen, China





- 1 HOUSING MATERIAL: GLASS-FILLED POLYMER.
- 2 CONTACT MATERIAL: COPPER ALLOY.
- 3 CONTACT FINISH: DIN 41612 CLASS 2 ON CONTACT AREA. TIN PLATE ON POSTS.
- 4 RECOMMENDED HOLE SIZE FOR MANUAL APPLICATION OF CONNECTOR ONTO PC BOARD.
- 5 PART NUMBER, DATE CODE IDENTIFICATION, CSA LOGO THIS APPROXIMATE AREA.
- 6 CONTACT POINT.
- 7 MARKING ON THIS SIDE.



PC BOARD LAYOUT
 RECOMMENDED PC BOARD THICKNESS 1.57[.062]

1 THRU 50	X - X	100	5536016-5
POSITIONS LOADED	C B A	NO. OF LOADED POSITIONS	ASSY PART NUMBER

THIS DRAWING IS A CONTROLLED DOCUMENT.		DWG J. POLIGNONE	03JUN05	Tyco Electronics Corporation Harrisburg, PA 17105-3608
DIMENSIONS: mm [INCHES]		CHK A. SHARPE	03JUN05	
TOLERANCES UNLESS OTHERWISE SPECIFIED:		APVD A. SHARPE	03JUN05	NAME ASSEMBLY, RECEPTACLE, EUROCARD, TYPE R, A&C 100/150 POSITION, SOLDER POSTS WITH BOARD-LOCKS APPLICATION SPEC 2.79[.110]
0 PLC ± - 1 PLC ± - 2 PLC ± 0.13[.005] 3 PLC ± - 4 PLC ± - ANGLES ± -		SIZE A1	CAGE CODE 00779	
MATERIAL		FINISH	WEIGHT	RESTRICTED TO
			CUSTOMER DRAWING	SCALE 4:1 SHEET 1 OF 1 REV 0