



Chipsmall Limited consists of a professional team with an average of over 10 year of expertise in the distribution of electronic components. Based in Hongkong, we have already established firm and mutual-benefit business relationships with customers from,Europe,America and south Asia,supplying obsolete and hard-to-find components to meet their specific needs.

With the principle of “Quality Parts,Customers Priority,Honest Operation,and Considerate Service”,our business mainly focus on the distribution of electronic components. Line cards we deal with include Microchip,ALPS,ROHM,Xilinx,Pulse,ON,Everlight and Freescale. Main products comprise IC,Modules,Potentiometer,IC Socket,Relay,Connector.Our parts cover such applications as commercial,industrial, and automotives areas.

We are looking forward to setting up business relationship with you and hope to provide you with the best service and solution. Let us make a better world for our industry!



Contact us

Tel: +86-755-8981 8866 Fax: +86-755-8427 6832

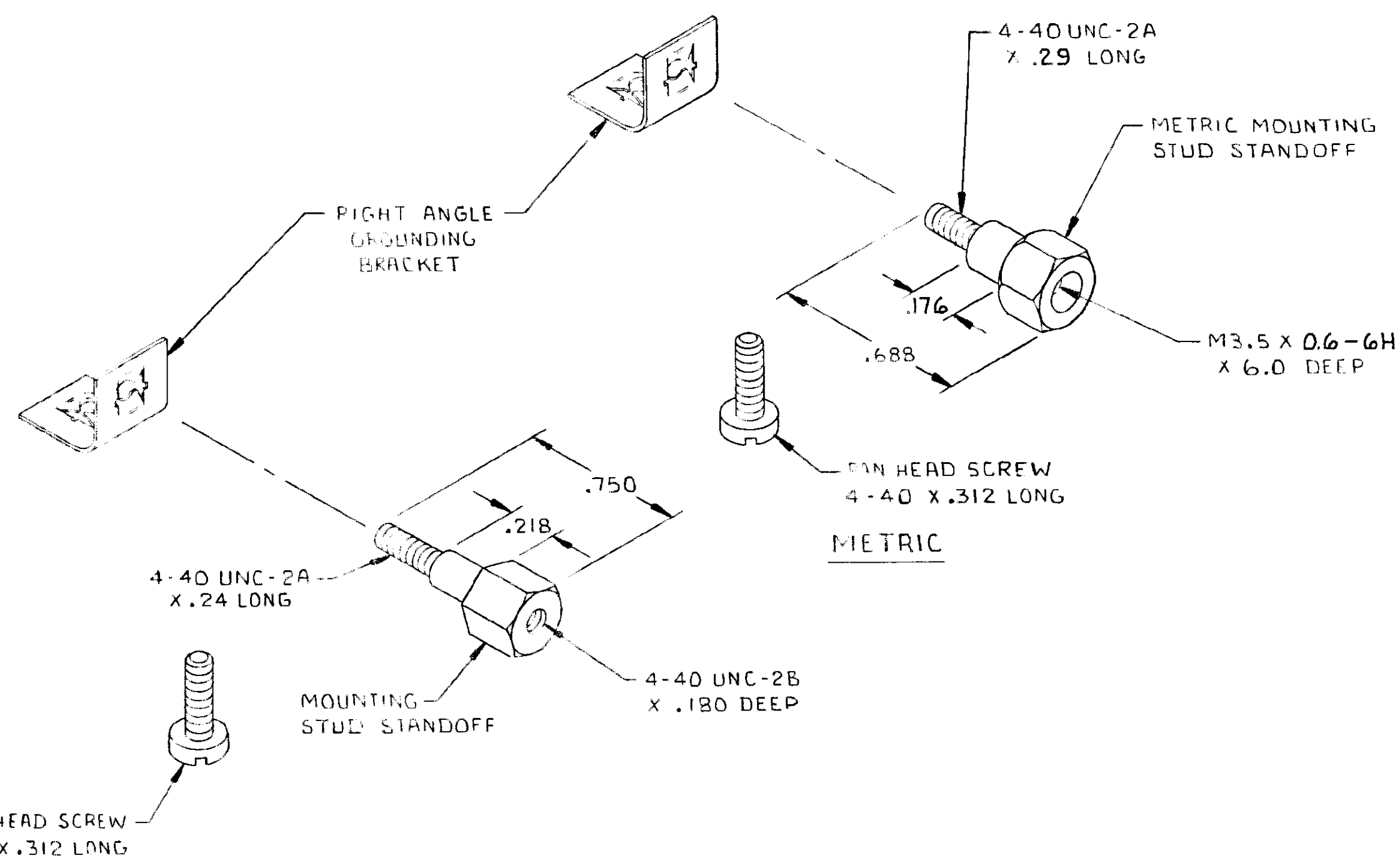
Email & Skype: info@chipsmall.com Web: www.chipsmall.com

Address: A1208, Overseas Decoration Building, #122 Zhenhua RD., Futian, Shenzhen, China



THIS DRAWING IS UNPUBLISHED. RELEASED FOR PUBLICATION . 19
 © COPYRIGHT 19 BY AMP INCORPORATED, HARRISBURG, PA. ALL INTERNATIONAL RIGHTS RESERVED. AMP PRODUCTS MAY BE COVERED BY U.S. AND FOREIGN PATENTS AND/OR PATENTS PENDING.

REVISIONS					
P	F	ZONE	DESCRIPTION	DATE	APPROVED
		C	OBS:-1; EC 0210-0373-95	11/14/78	DS PC



1. ALL DIMENSIONS SHOWN ARE FOR REFERENCE ONLY UNLESS OTHERWISE SPECIFIED.
 2. TWO PIECES OF EACH REQUIRED PER KIT.
 3. ALL HARDWARE SHIPPED UNASSEMBLED.
- △ MATERIAL: METRIC MOUNTING STUD - BLACK OXIDE COATED CARBON STEEL.
 MOUNTING STUD - ZINC PLATE WITH YELLOW CHROMATE OVER STEEL.
 PAN HEAD SCREW - PASSIVATED STAINLESS STEEL.
 BRACKET - ZINC PLATED STEEL.

553638

STANDARD

METRIC	553638-2
TYPE OF MOUNTING	PART NO

UNLESS OTHERWISE SPECIFIED DIMENSIONS ARE IN INCHES TOLERANCES ON: DECIMALS ± ANGLES ±	CONTRACT NO	AMP AMP INCORPORATED Harrisburg, Pa 17105		
	DR U Holt 11-12-81			
	MATERIAL	CHK MD Inlet 11-25-81	NAME KIT, HARDWARE, EMI, RIGHT ANGLE, STANDARD/METRIC (CHAMP)	
	FINISH	APPD J. King 12/7/81 APPD R. K. Product 12/7/81	SIZE C	FSCM NO 00779
	DSGN APPD	SCALE 2/1	SHEET 1 OF 1	
	OTHER APPD			