



Chipsmall Limited consists of a professional team with an average of over 10 year of expertise in the distribution of electronic components. Based in Hongkong, we have already established firm and mutual-benefit business relationships with customers from,Europe,America and south Asia,supplying obsolete and hard-to-find components to meet their specific needs.

With the principle of “Quality Parts,Customers Priority,Honest Operation,and Considerate Service”,our business mainly focus on the distribution of electronic components. Line cards we deal with include Microchip,ALPS,ROHM,Xilinx,Pulse,ON,Everlight and Freescale. Main products comprise IC,Modules,Potentiometer,IC Socket,Relay,Connector.Our parts cover such applications as commercial,industrial, and automotives areas.

We are looking forward to setting up business relationship with you and hope to provide you with the best service and solution. Let us make a better world for our industry!



Contact us

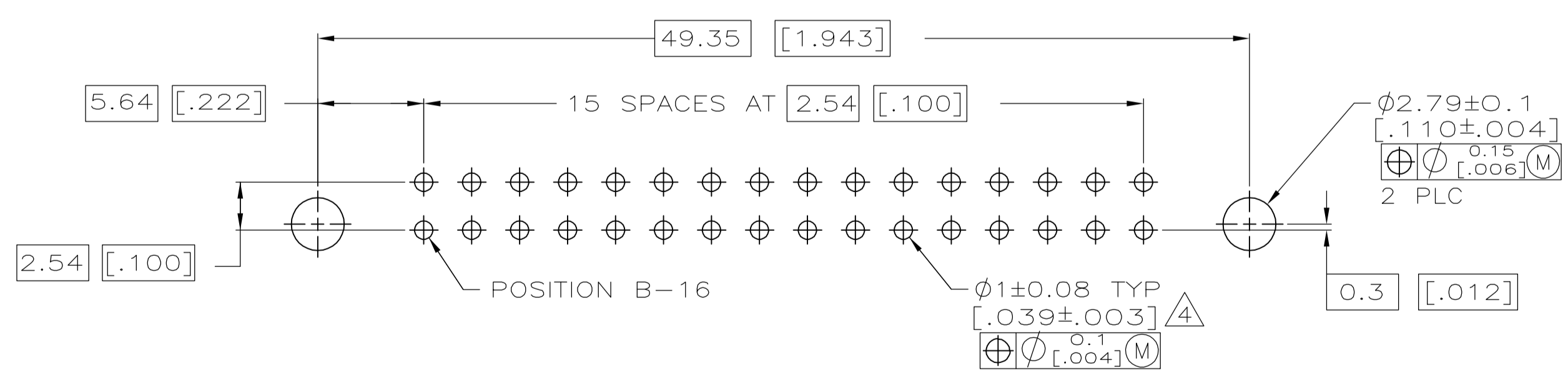
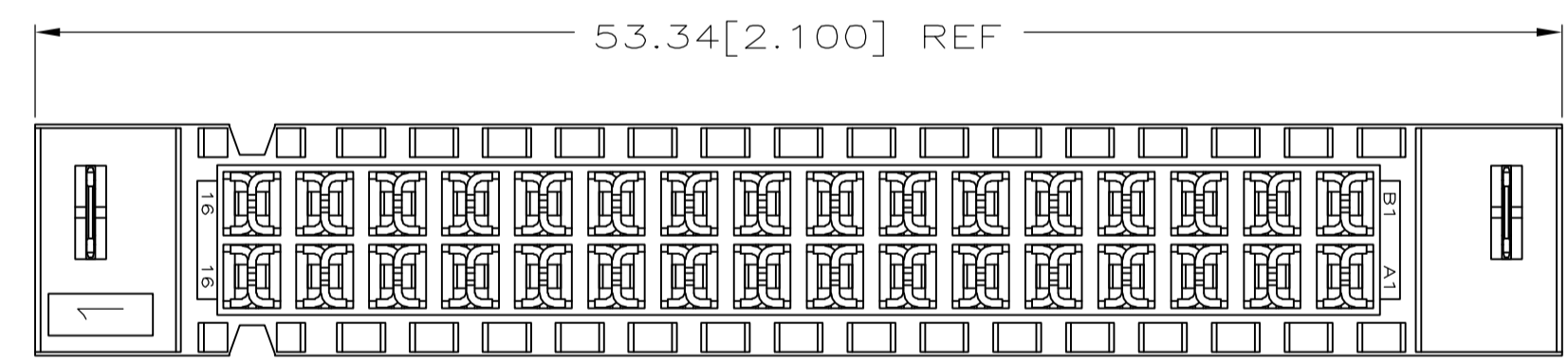
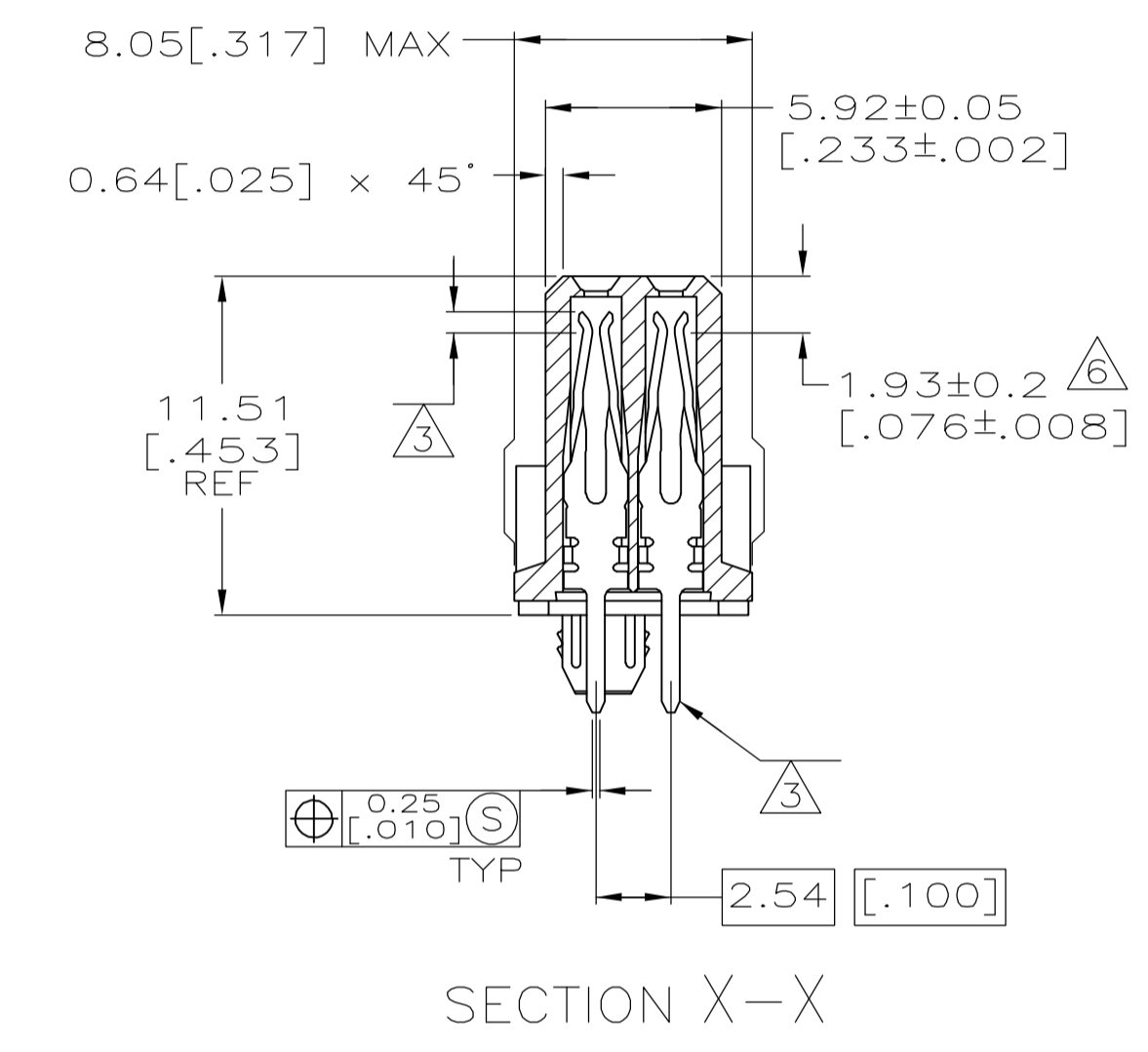
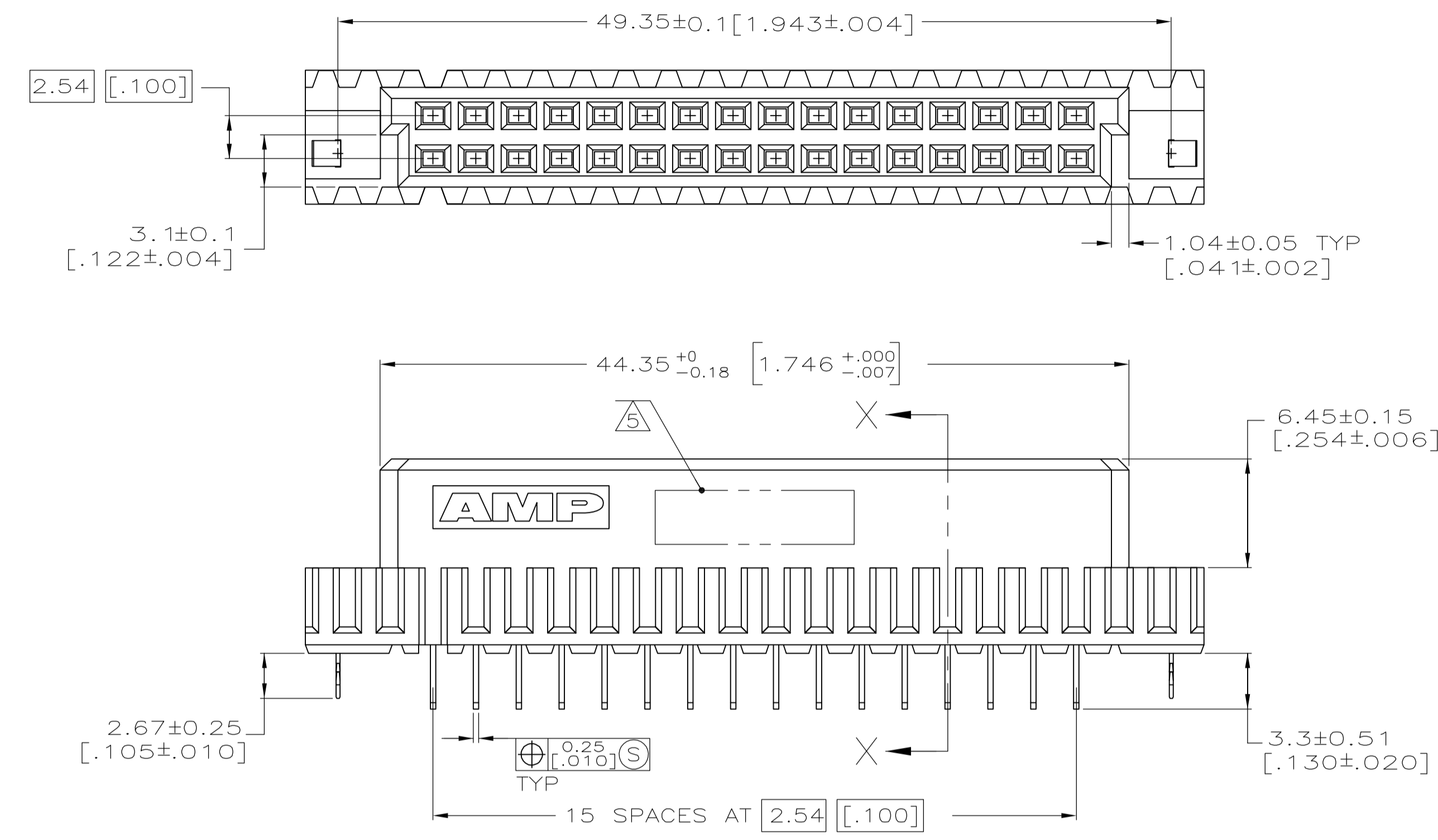
Tel: +86-755-8981 8866 Fax: +86-755-8427 6832

Email & Skype: info@chipsmall.com Web: www.chipsmall.com

Address: A1208, Overseas Decoration Building, #122 Zhenhua RD., Futian, Shenzhen, China



- ① HOUSING MATERIAL: GLASS-FILLED POLYMER.
- ② CONTACT MATERIAL: COPPER ALLOY.
- ③ CONTACT FINISH: DIN 41612 CLASS 2 IN CONTACT AREA. TIN PLATE ON POSTS.
- ④ RECOMMENDED HOLE SIZE FOR MANUAL APPLICATION OF CONNECTOR ONTO PC BOARD.
- ⑤ PART NUMBER, DATE CODE IDENTIFICATION, CSA LOGO IN THIS APPROXIMATE AREA ON OPPOSITE SIDE SHOWN.
- ⑥ CONTACT POINT.



PC BOARD LAYOUT

1-16	X	X	32	5536460-5
POSITIONS LOADED	B	A	NO. OF LOADED POSITIONS	ASSY PART NUMBER
ROWS LOADED				

THIS DRAWING IS A CONTROLLED DOCUMENT.		DIN J. POLIGNONE 27MAY05		Tyco Electronics Corporation	
DIMENSIONS: mm [INCHES]		CIK A. SHARPE 27MAY05		Harrisburg, PA 17105-3608	
TOLERANCES UNLESS OTHERWISE SPECIFIED:		APVD A. SHARPE 27MAY05		NAME	
0 PLC ± -	1 PLC ± -	PRODUCT SPEC		ASSEMBLY, RECEPTACLE, EUROCARD, TYPE B, 32 POSITION, 3.30 [.130] SOLDER POSTS WITH BOARD-LOCKS	
2 PLC ± -	3 PLC ± 0.13 [.005]	APPLICATION SPEC		SIZE	
4 PLC ± -	ANGLES ± -	MATERIAL		WEIGHT	
FINISH		CUSTOMER DRAWING		SCALE 4:1 SHEET 1 OF 1 REV 0	