



Chipsmall Limited consists of a professional team with an average of over 10 year of expertise in the distribution of electronic components. Based in Hongkong, we have already established firm and mutual-benefit business relationships with customers from,Europe,America and south Asia,supplying obsolete and hard-to-find components to meet their specific needs.

With the principle of “Quality Parts,Customers Priority,Honest Operation,and Considerate Service”,our business mainly focus on the distribution of electronic components. Line cards we deal with include Microchip,ALPS,ROHM,Xilinx,Pulse,ON,Everlight and Freescale. Main products comprise IC,Modules,Potentiometer,IC Socket,Relay,Connector.Our parts cover such applications as commercial,industrial, and automotives areas.

We are looking forward to setting up business relationship with you and hope to provide you with the best service and solution. Let us make a better world for our industry!



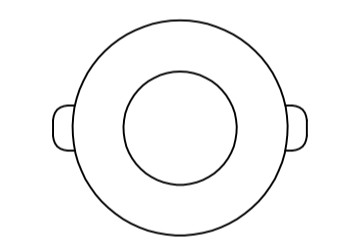
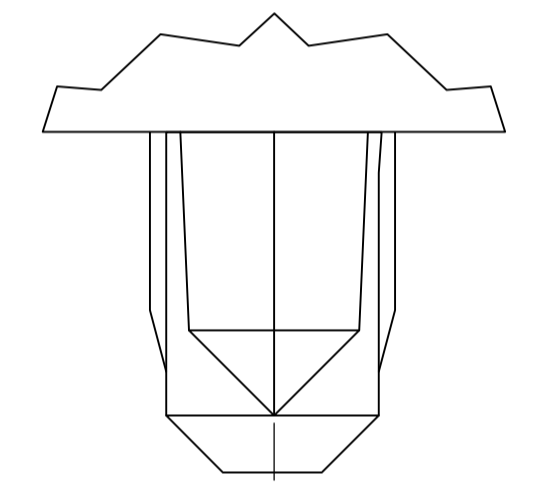
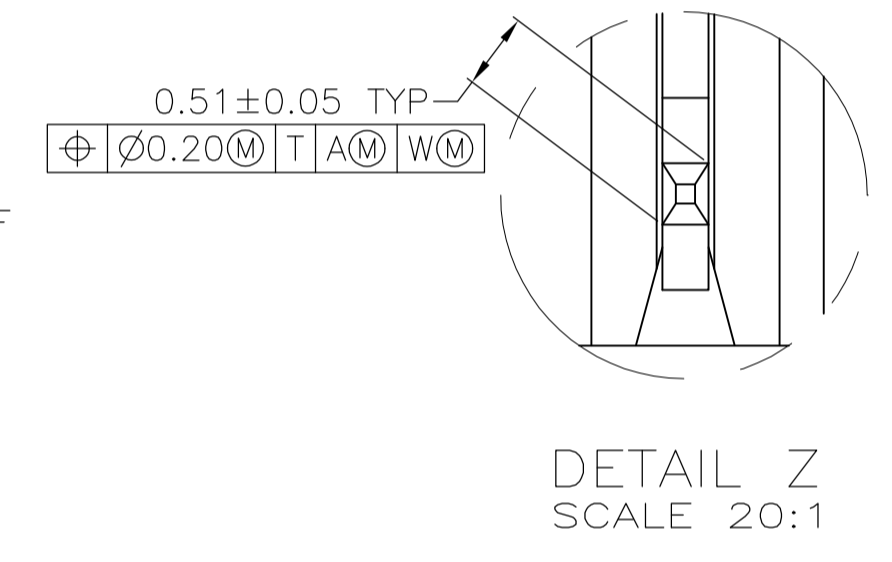
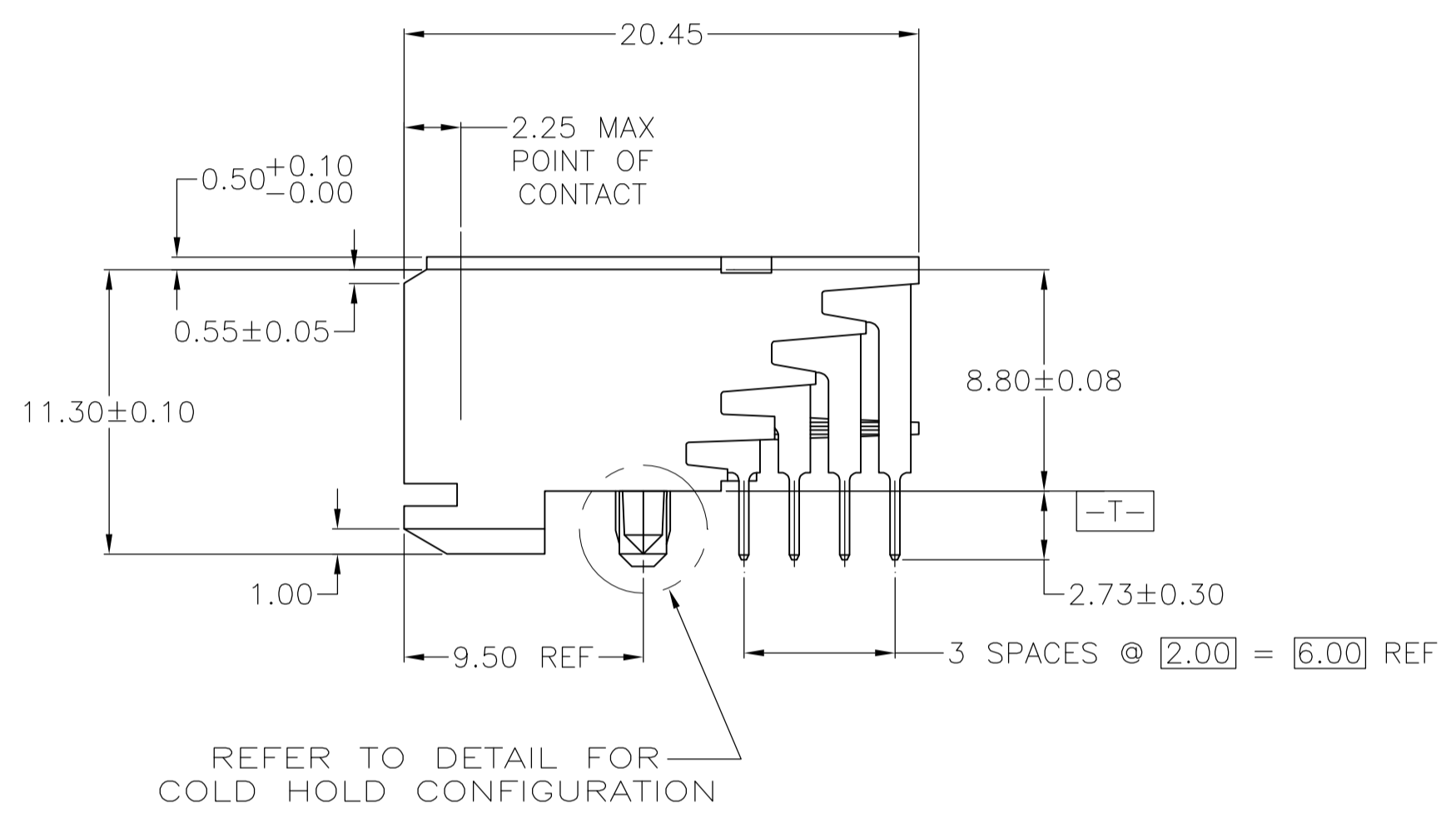
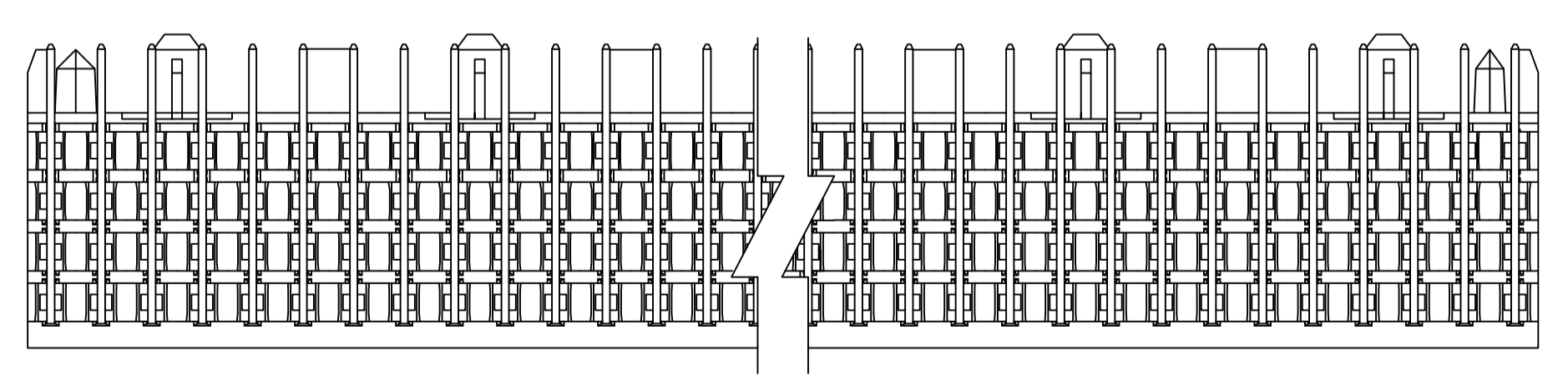
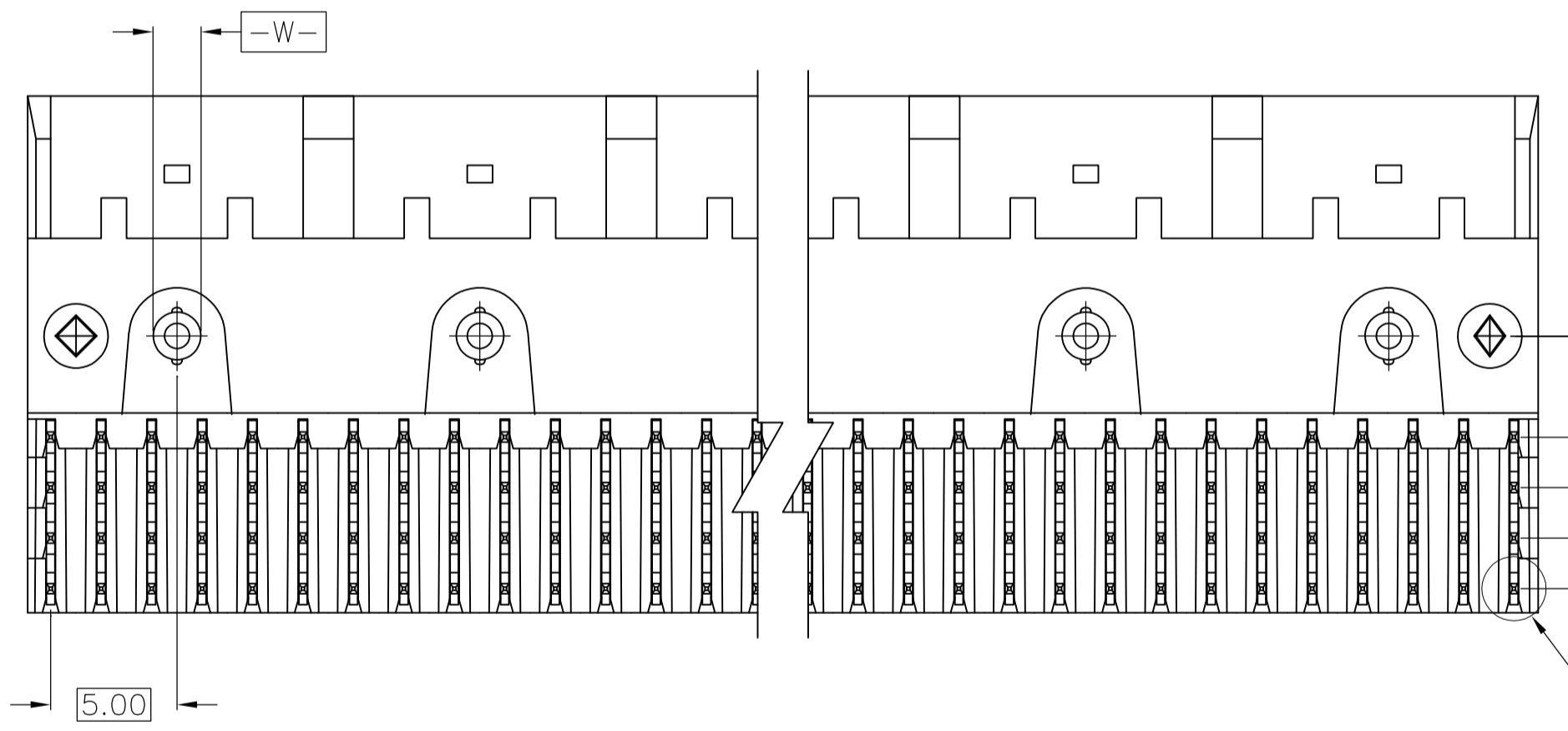
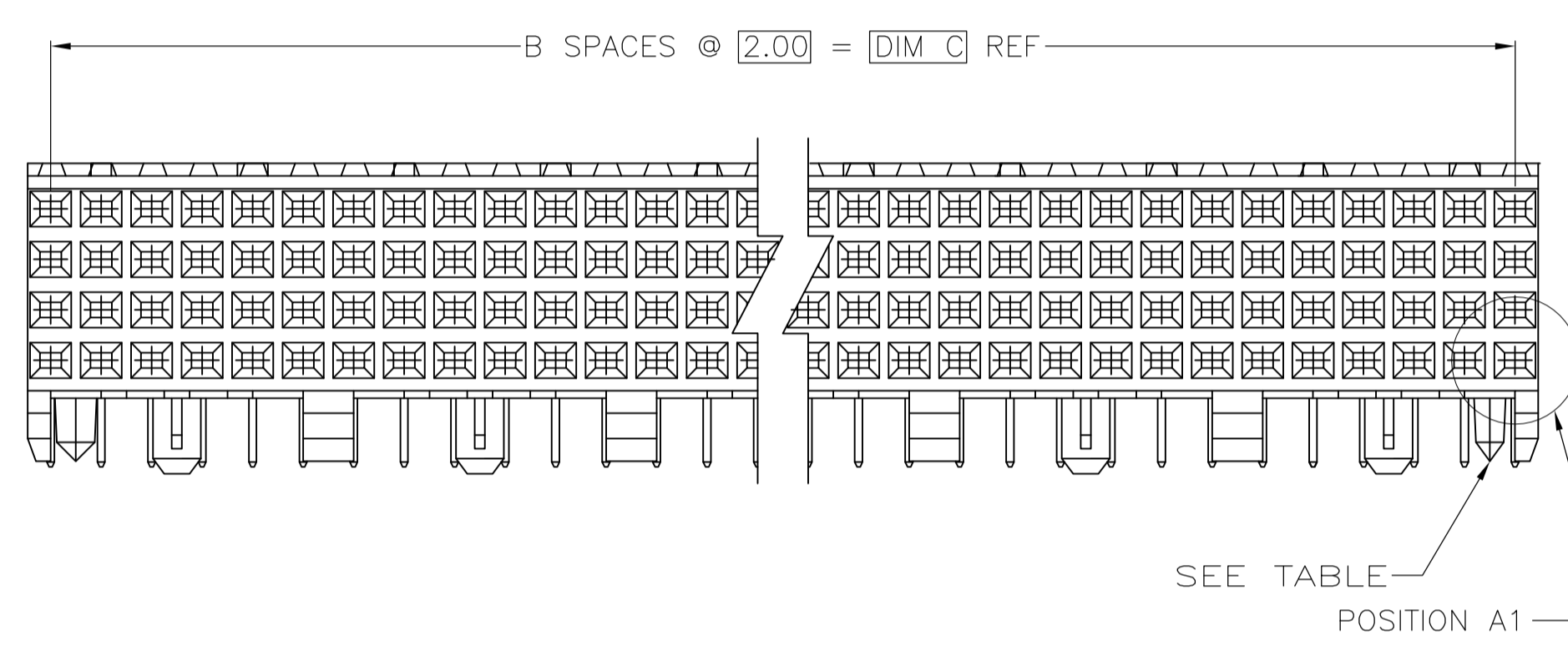
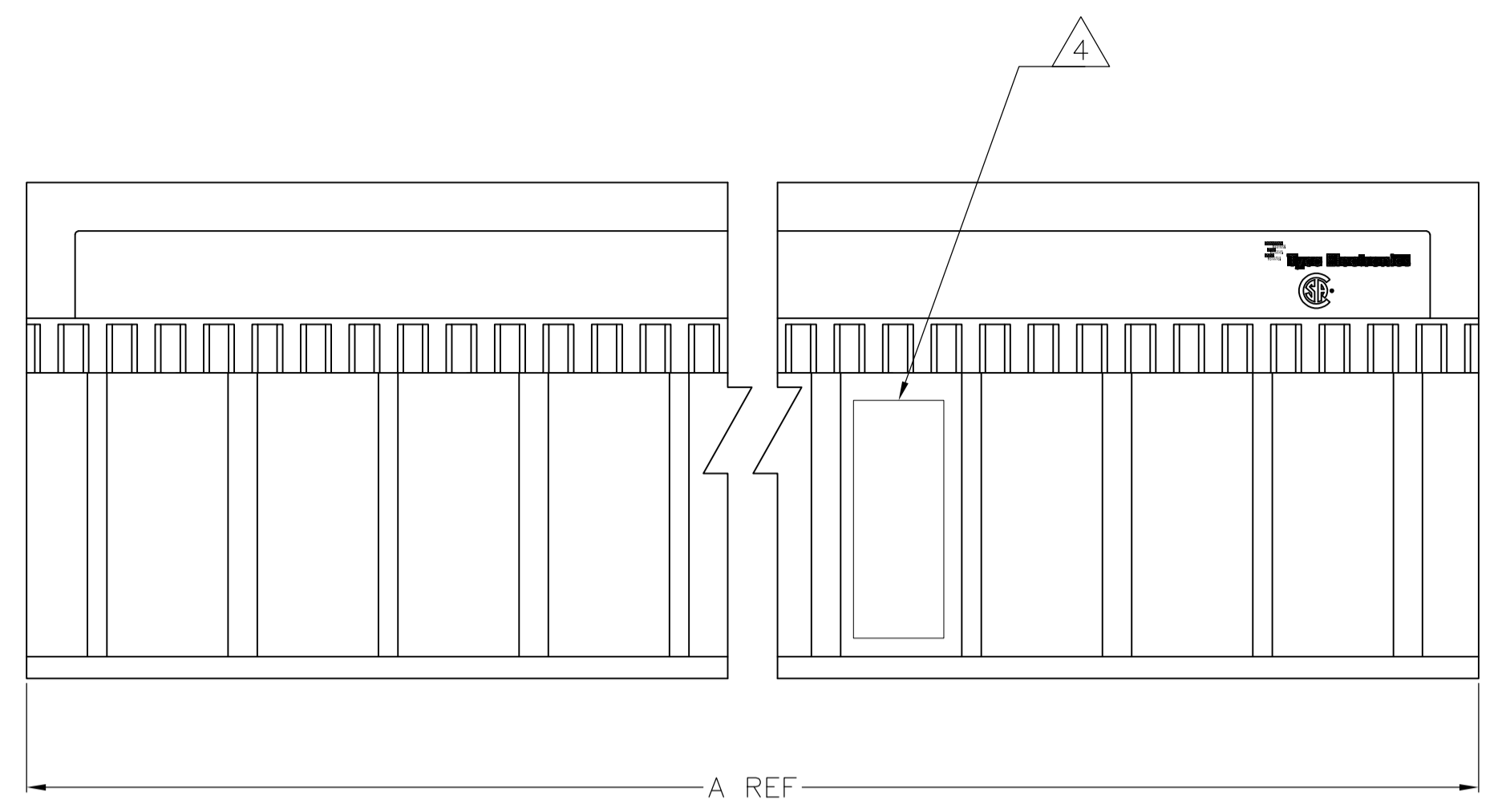
Contact us

Tel: +86-755-8981 8866 Fax: +86-755-8427 6832

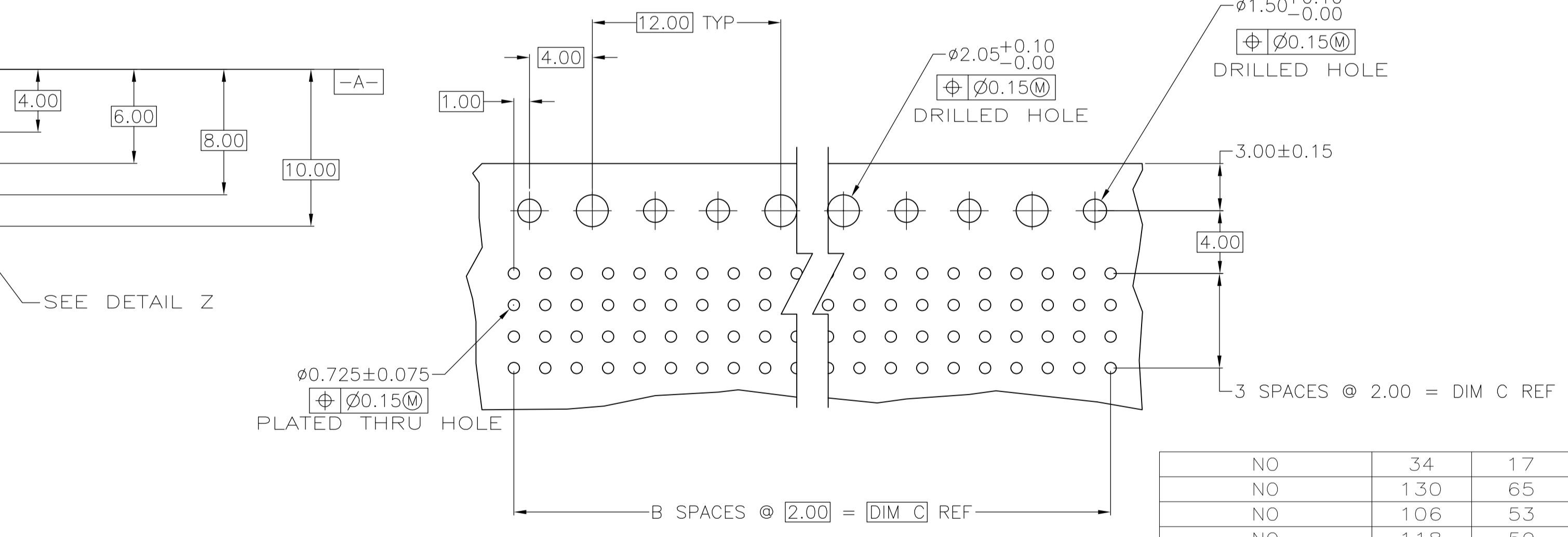
Email & Skype: info@chipsmall.com Web: www.chipsmall.com

Address: A1208, Overseas Decoration Building, #122 Zhenhua RD., Futian, Shenzhen, China





TYPICAL COLD HOLD FOR ALL ASSEMBLIES



RECOMMENDED CIRCUIT PATTERN PER IPC-D300 TYPE II, CLASS C (COMPONENT SIDE)

NO	34	17	35.88	3	72	1-5536507-1
NO	130	65	131.88	3	264	1-5536507-6
NO	106	53	107.88	3	216	1-5536507-9
NO	118	59	119.88	3	240	1-5536507-8
NO	70	35	71.88	3	144	1-5536507-7
NO	58	29	59.88	3	120	1-5536507-6
NO	82	41	83.88	3	168	1-5536507-5
NO	94	47	95.88	3	192	1-5536507-4
NO	46	23	47.88	3	96	1-5536507-3
NO	22	11	23.88	3	48	1-5536507-2
YES	10	5	11.88	3	24	1-5536507-1
POSITIONING PEGS	C	B	A	FINISH	NO OF POSN	PART NUMBER

- 1 HOUSING MATERIAL: LIQUID CRYSTAL POLYMER
COLOR: NATURAL.
- 2 CONTACT MATERIAL: PHOSPHOR-BRONZE.
- 3 CONTACT FINISH:
UNDERPLATE (ENTIRE CONTACT) -
0.00127 MIN NICKEL PER SAE-AMS-QQ-N-290.
ON MATING SURFACES -
CONFORMS TO ALL TESTING SPECIFIED FOR TELCORDIA UNCONTROLLED ENVIRONMENT
ON LEADS -
0.00381 MIN TIN PER ASTM B 545, OVER UNDERPLATE
LUBRICATION (MIN MATING SURFACES)
SURFACE CONDITIONER PER AMP SPEC. 112-1002 AFTER PLATING.
- 4 PART MARKING, LOCATED APPROXIMATELY AS SHOWN.
- 5 OBSOLETE PARTS: OBSOLETE CIS STREAMLINING PER D.RENAUD/D.SINISI

THIS DRAWING IS A CONTROLLED DOCUMENT.

DIMENSIONS: mm	TOLERANCES UNLESS OTHERWISE SPECIFIED:	DIN B MCMASTER 30AUG04	STE TE Connectivity
0 PLC ± -	1 PLC ± -	APVD R WERTZ 30AUG04	NAME RECEPTACLE ASSEMBLY, SIGNAL MODULE, Z-PACK, 2mm FB, 4 ROW, 2.73mm LEAD LENGTH
2 PLC ± .13	3 PLC ± .13	PRODUCT SPEC	APPLICATION SPEC
4 PLC ± -	ANGLES ± -	SIZE A1	CAGE CODE 00779
MATERIAL 1 2 3	FINISH 3	WEIGHT -	DRAWING NO. 5536507
CUSTOMER DRAWING		SCALE 4:1	SHEET 1 of 1 REV P