



Chipsmall Limited consists of a professional team with an average of over 10 year of expertise in the distribution of electronic components. Based in Hongkong, we have already established firm and mutual-benefit business relationships with customers from,Europe,America and south Asia,supplying obsolete and hard-to-find components to meet their specific needs.

With the principle of “Quality Parts,Customers Priority,Honest Operation,and Considerate Service”,our business mainly focus on the distribution of electronic components. Line cards we deal with include Microchip,ALPS,ROHM,Xilinx,Pulse,ON,Everlight and Freescale. Main products comprise IC,Modules,Potentiometer,IC Socket,Relay,Connector.Our parts cover such applications as commercial,industrial, and automotives areas.

We are looking forward to setting up business relationship with you and hope to provide you with the best service and solution. Let us make a better world for our industry!



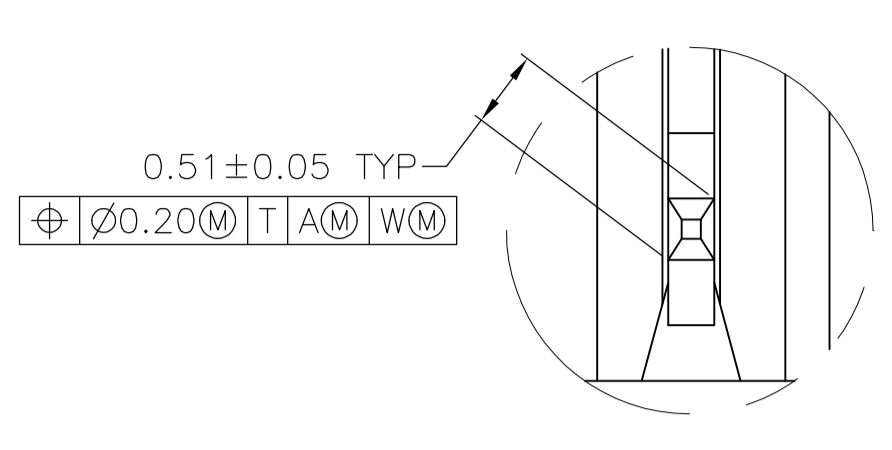
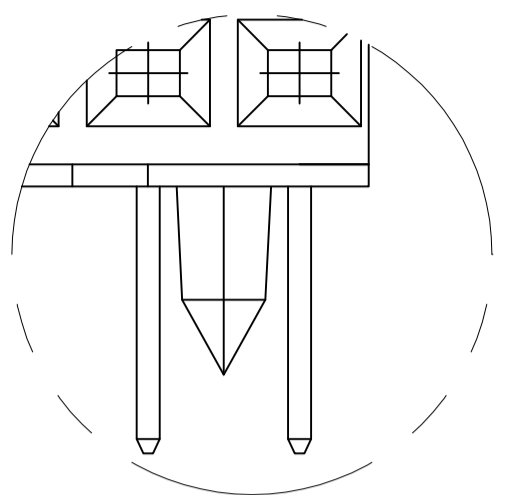
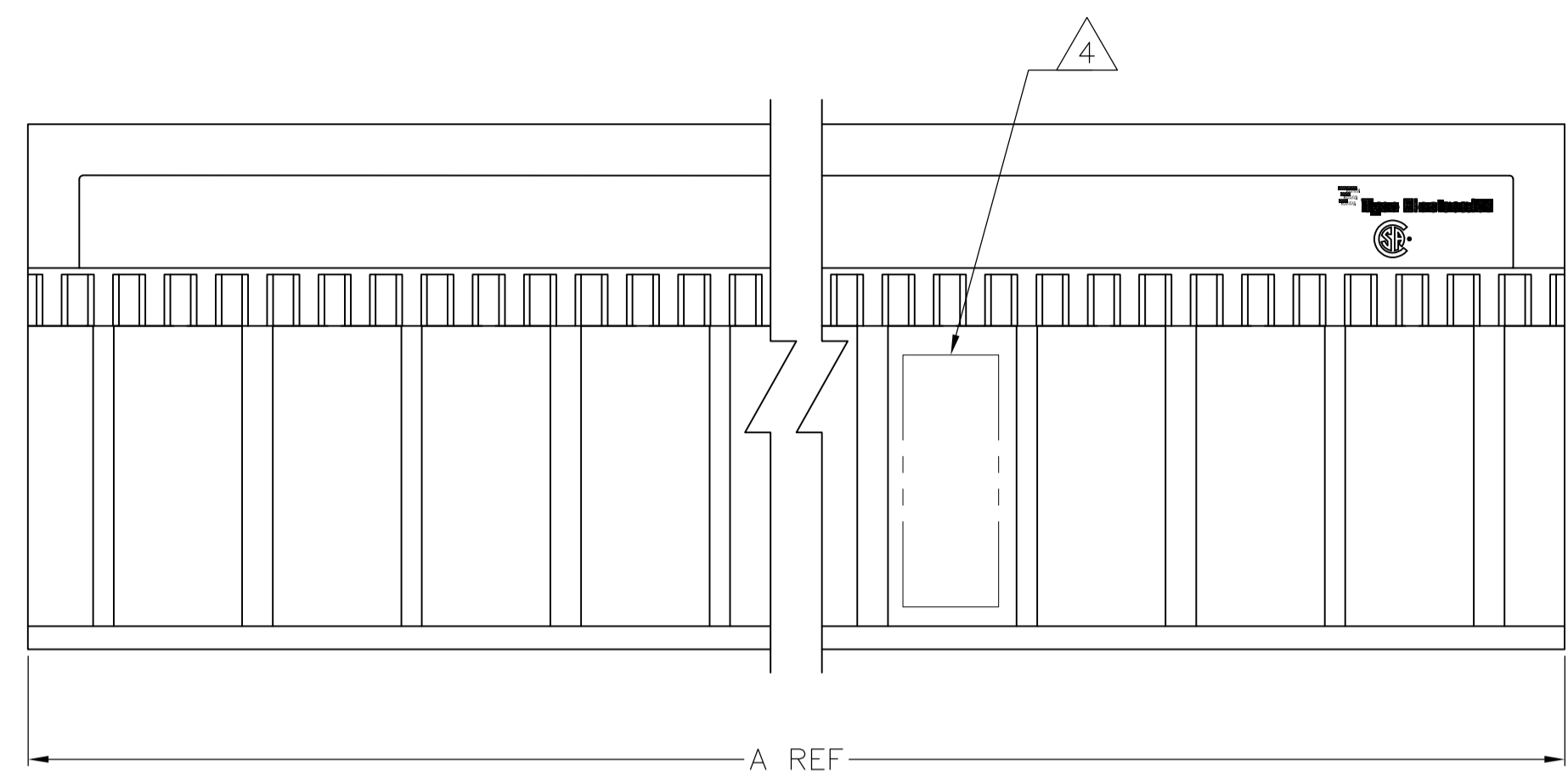
## Contact us

Tel: +86-755-8981 8866 Fax: +86-755-8427 6832

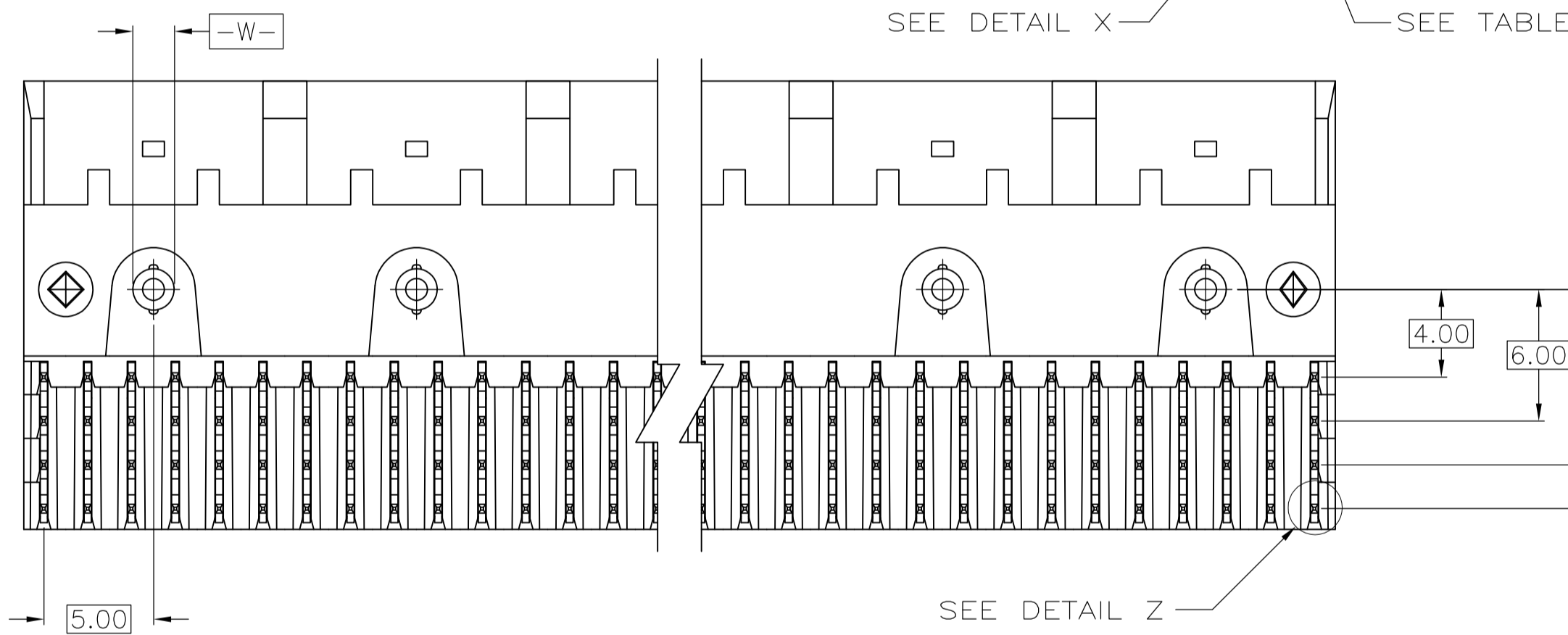
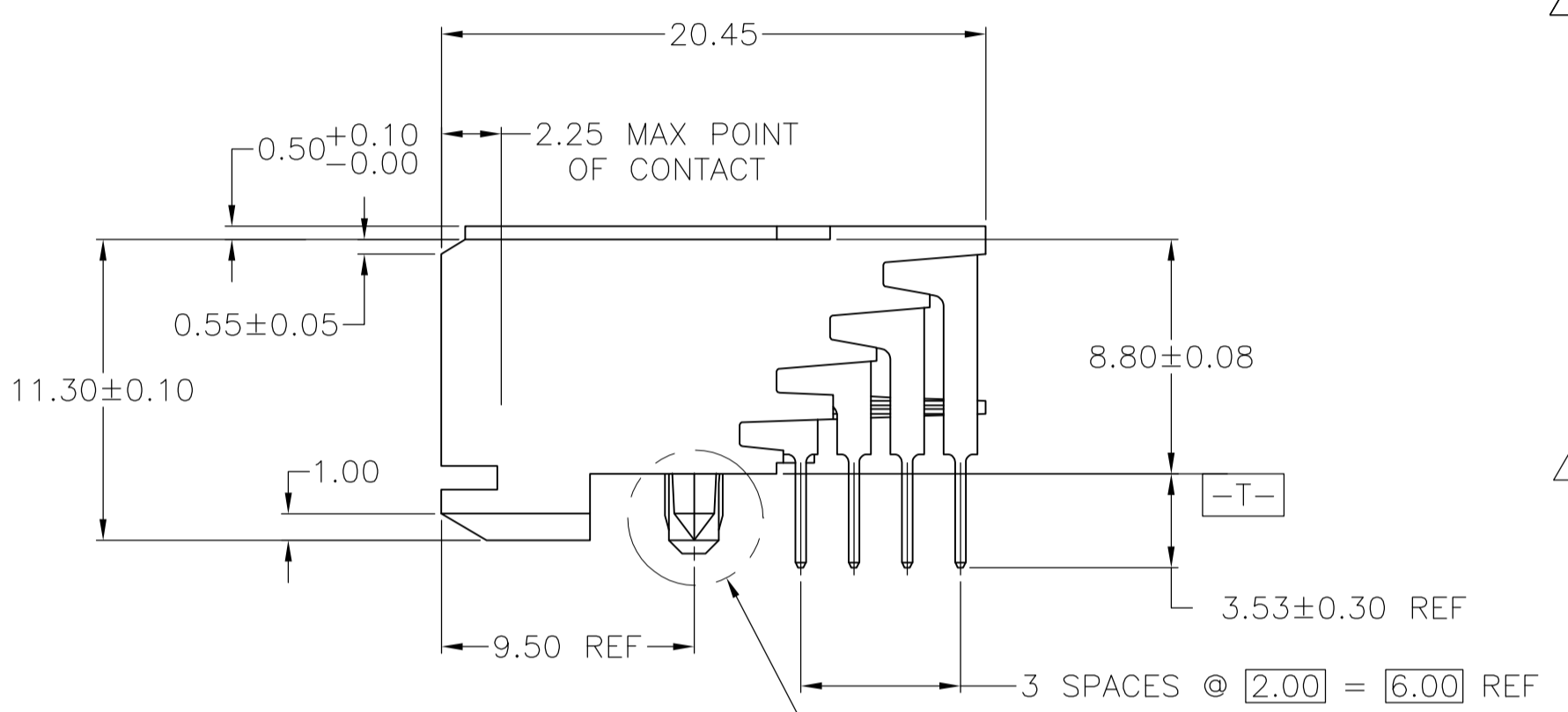
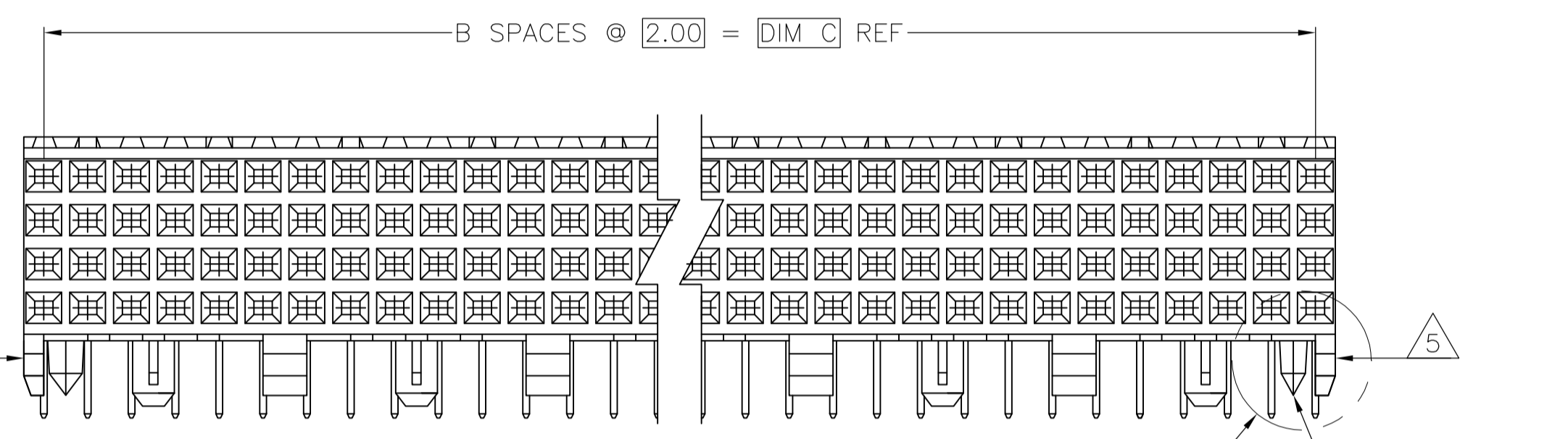
Email & Skype: info@chipsmall.com Web: www.chipsmall.com

Address: A1208, Overseas Decoration Building, #122 Zhenhua RD., Futian, Shenzhen, China

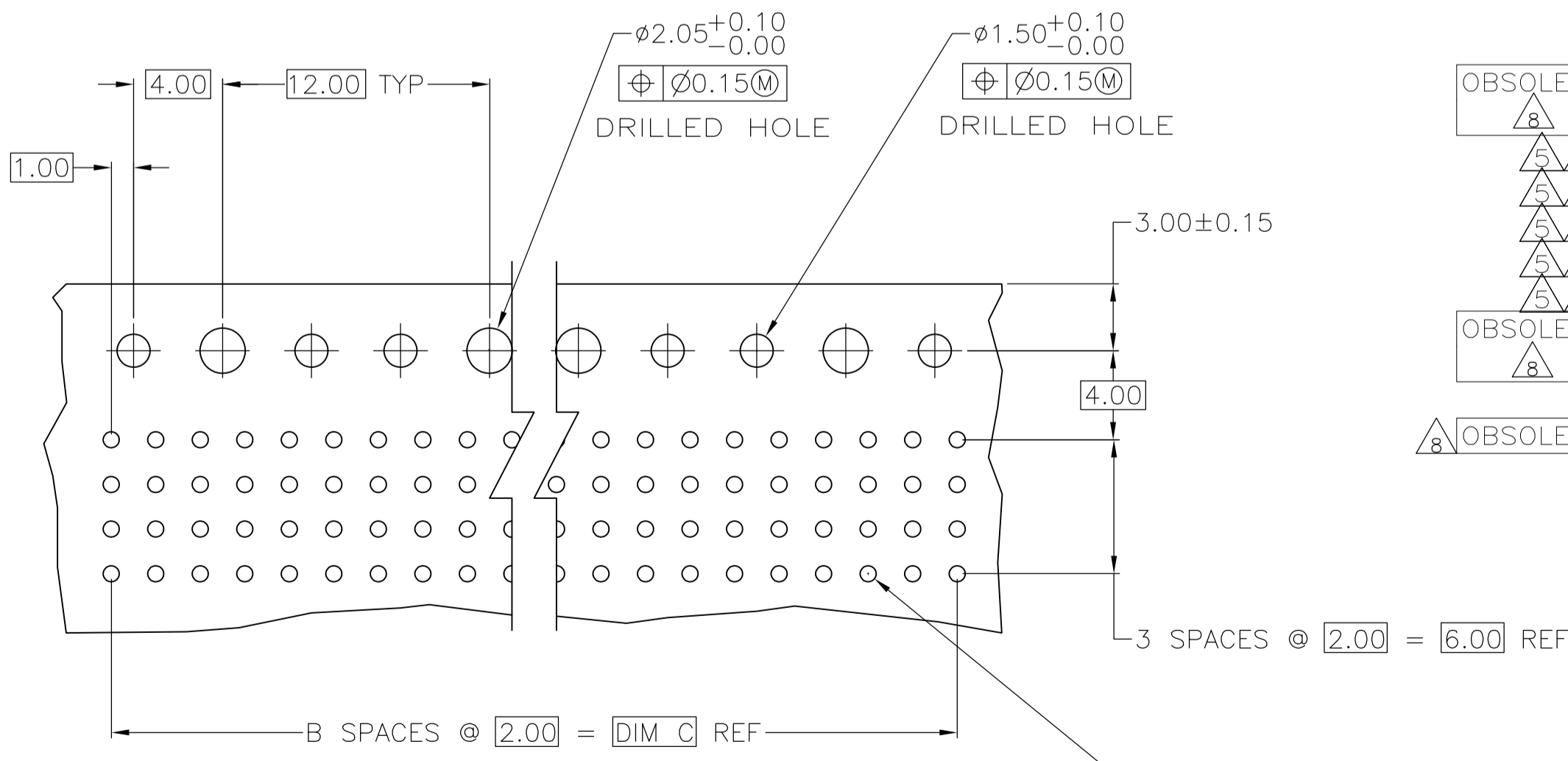
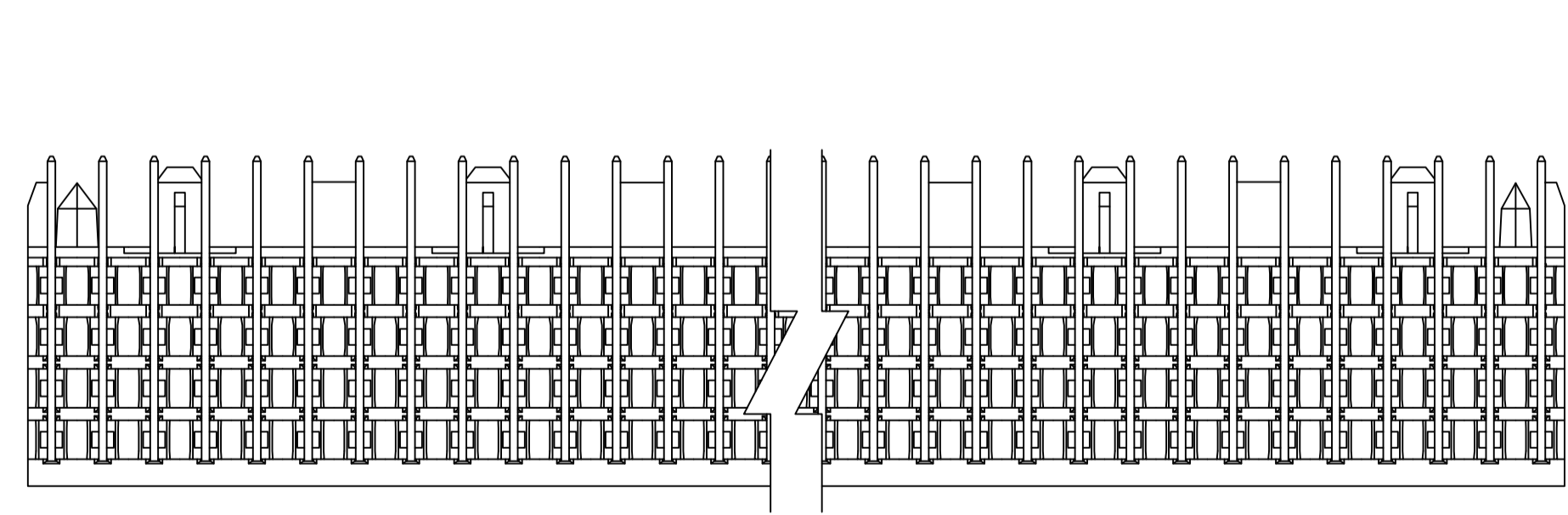
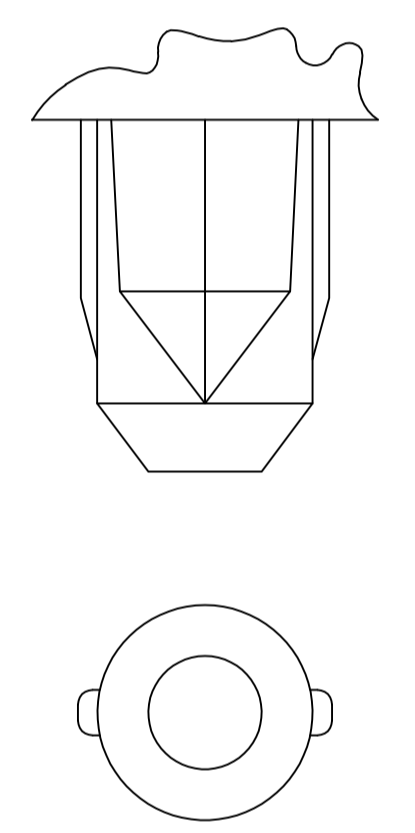




- 1 HOUSING MATERIAL: LIQUID CRYSTAL POLYMER. COLOR: NATURAL.
- 2 CONTACT MATERIAL: PHOSPHOR-BRONZE.
- 3 CONTACT FINISH:  
UNDERPLATE (ENTIRE CONTACT) - 0.00127 MIN NICKEL PER SAE-AMS-QQ-N-290.  
ON MATING SURFACES- CONFORMS TO ALL TESTING SPECIFIED FOR TELCORDIA UNCONTROLLED ENVIRONMENT  
ON LEADS- 0.00381 MIN TIN PER ASTM B 545, OVER UNDERPLATE  
LUBRICATION (MIN MATING SURFACES): SURFACE CONDITIONER AFTER PLATING.
- 4 PART MARKING, LOCATED APPROXIMATELY AS SHOWN.
- 5 CUSTOMIZED PART, HOUSING MOLDED WITHOUT END GUIDE LUGS.
- 6 OBSOLETE PART NUMBER.
- 7 CONTACT FINISH:  
UNDERPLATE (ENTIRE CONTACT) - 0.00127 MIN NICKEL PER SAE-AMS-QQ-N-290.  
ON MATING SURFACES- CONFORMS TO ALL TESTING SPECIFIED FOR TELCORDIA UNCONTROLLED ENVIRONMENT  
ON LEADS- FLASH GOLD PER ASTM B 488, OVER UNDERPLATE  
LUBRICATION (MIN MATING SURFACES): SURFACE CONDITIONER AFTER PLATING.
- 8 OBSOLETE PARTS: OBSOLETE CIS STREAMLINING PER D.RENAUD/D.SINISI



REFER TO DETAIL FOR COLD HOLD CONFIGURATION



	NO	70	35	71.88	144	2-5536510-8
	NO	94	47	95.88	192	2-5536510-7
	NO	46	23	47.88	96	2-5536510-6
	NO	22	11	23.88	48	2-5536510-5
OBsolete	YES	94	47	95.88	192	2-5536510-4
	YES	46	23	47.88	96	2-5536510-3
	NO	34	17	35.88	72	1-5536510-5
	NO	22	11	23.88	48	1-5536510-4
	NO	94	47	95.88	192	1-5536510-3
	NO	106	53	107.88	216	1-5536510-2
	NO	70	35	71.88	144	1-5536510-1
OBsolete	NO	130	65	131.88	264	1-5536510-0
	NO	106	53	107.88	216	5536510-9
	NO	118	59	119.88	240	5536510-8
OBsolete	NO	82	41	83.88	168	5536510-7
	NO	58	29	59.88	120	5536510-6
	NO	70	35	71.88	144	5536510-5
	NO	94	47	95.88	192	5536510-4
	NO	46	23	47.88	96	5536510-3
	NO	22	11	23.88	48	5536510-2
	YES	10	5	11.88	24	5536510-1
	POSITIONING PEGS	C	B	A	FINISH	NO OF POSN
						PART NUMBER

THIS DRAWING IS A CONTROLLED DOCUMENT.

DIMENSIONS: mm

TOLERANCES UNLESS OTHERWISE SPECIFIED:

0 PLC	± .05
1 PLC	± .10
2 PLC	± .15
3 PLC	± .20
4 PLC	± .25
ANGLES	± .5

MATERIAL: 1 2 FINISH: 3 7

STE TE Connectivity

RECEPTACLE ASSEMBLY, SIGNAL MODULE, Z-PACK 2mm FB, 4 ROW, 3.53mm LEAD LENGTH

SIZE: A1 CAGE CODE: 00779 DRAWING NO: 5536510

SCALE: 4:1 SHEET: 1 OF 1 REV: A4