



Chipsmall Limited consists of a professional team with an average of over 10 year of expertise in the distribution of electronic components. Based in Hongkong, we have already established firm and mutual-benefit business relationships with customers from,Europe,America and south Asia,supplying obsolete and hard-to-find components to meet their specific needs.

With the principle of “Quality Parts,Customers Priority,Honest Operation,and Considerate Service”,our business mainly focus on the distribution of electronic components. Line cards we deal with include Microchip,ALPS,ROHM,Xilinx,Pulse,ON,Everlight and Freescale. Main products comprise IC,Modules,Potentiometer,IC Socket,Relay,Connector.Our parts cover such applications as commercial,industrial, and automotives areas.

We are looking forward to setting up business relationship with you and hope to provide you with the best service and solution. Let us make a better world for our industry!



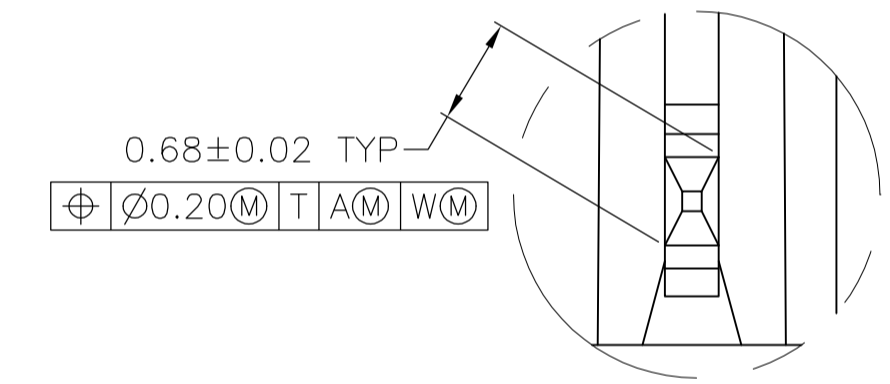
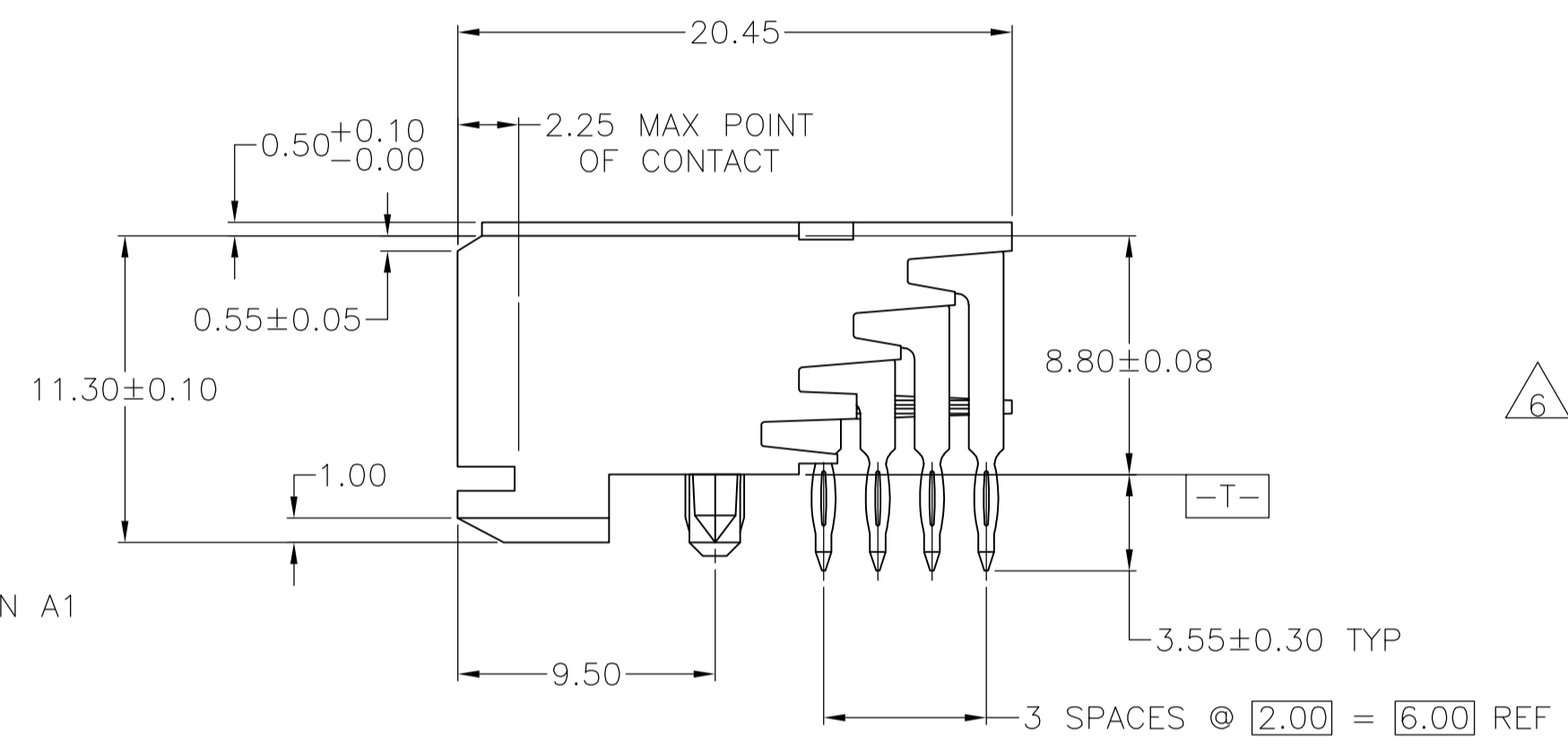
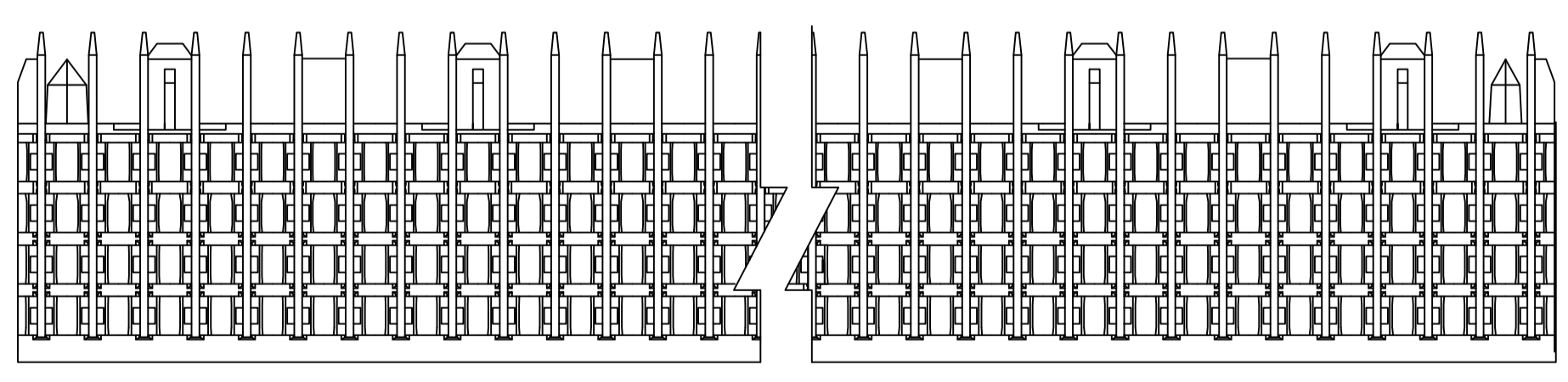
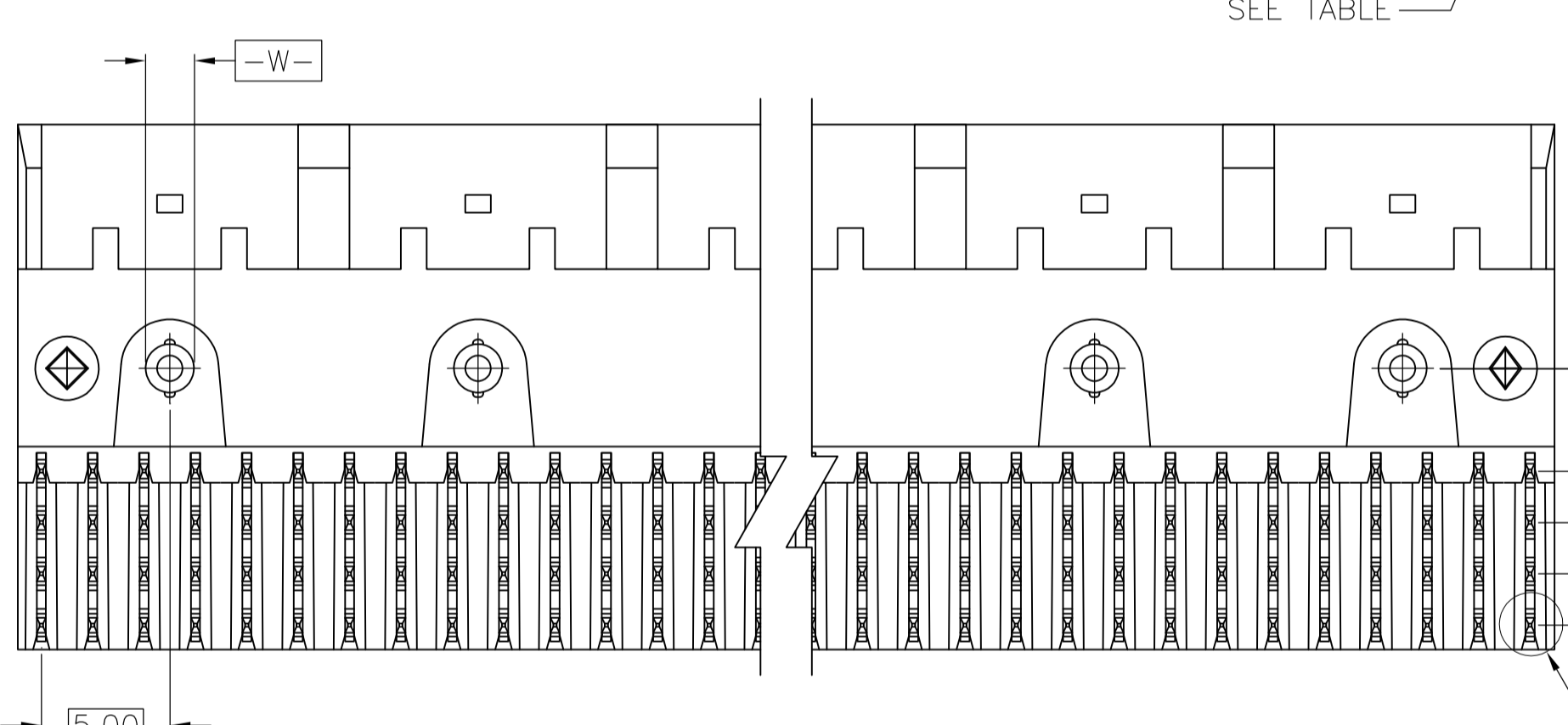
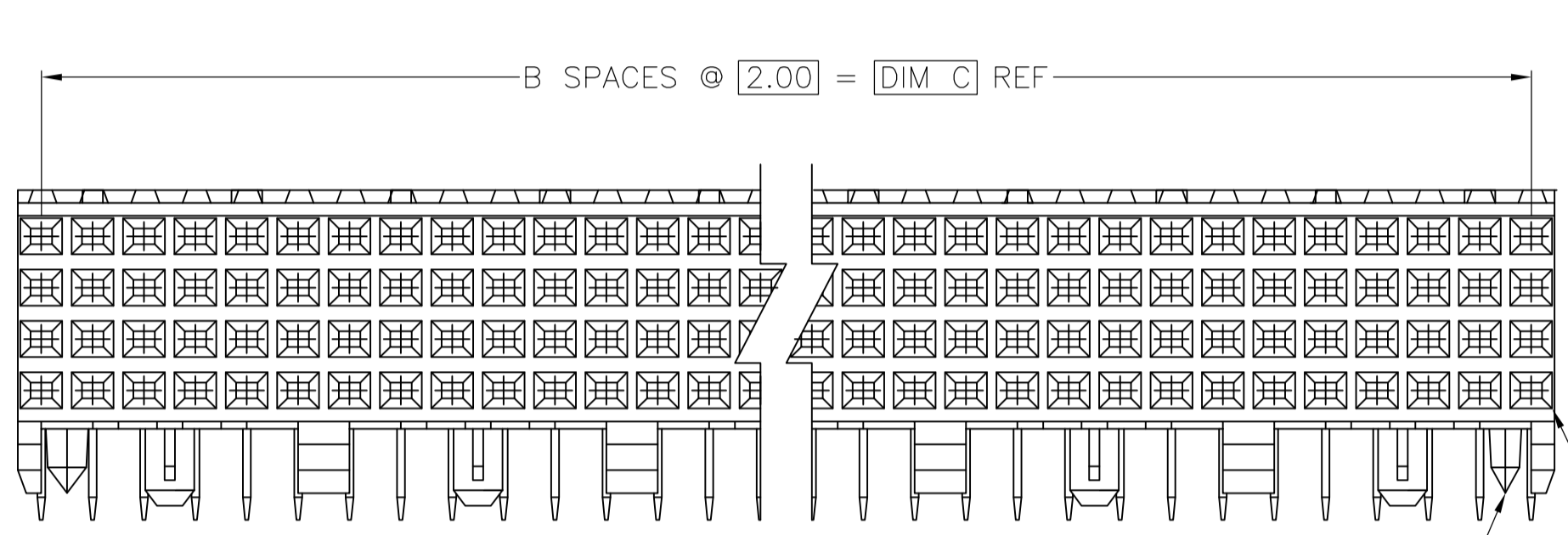
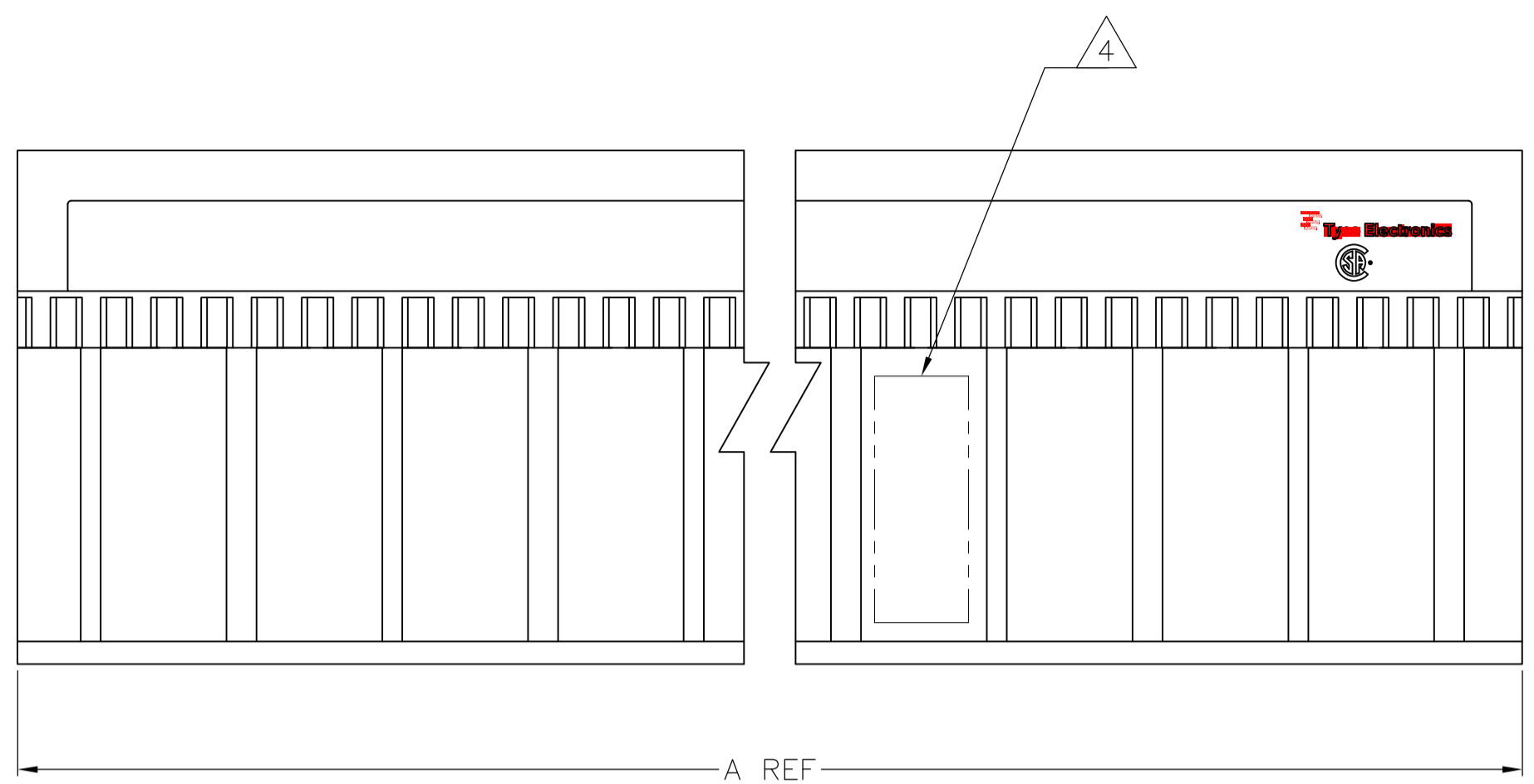
Contact us

Tel: +86-755-8981 8866 Fax: +86-755-8427 6832

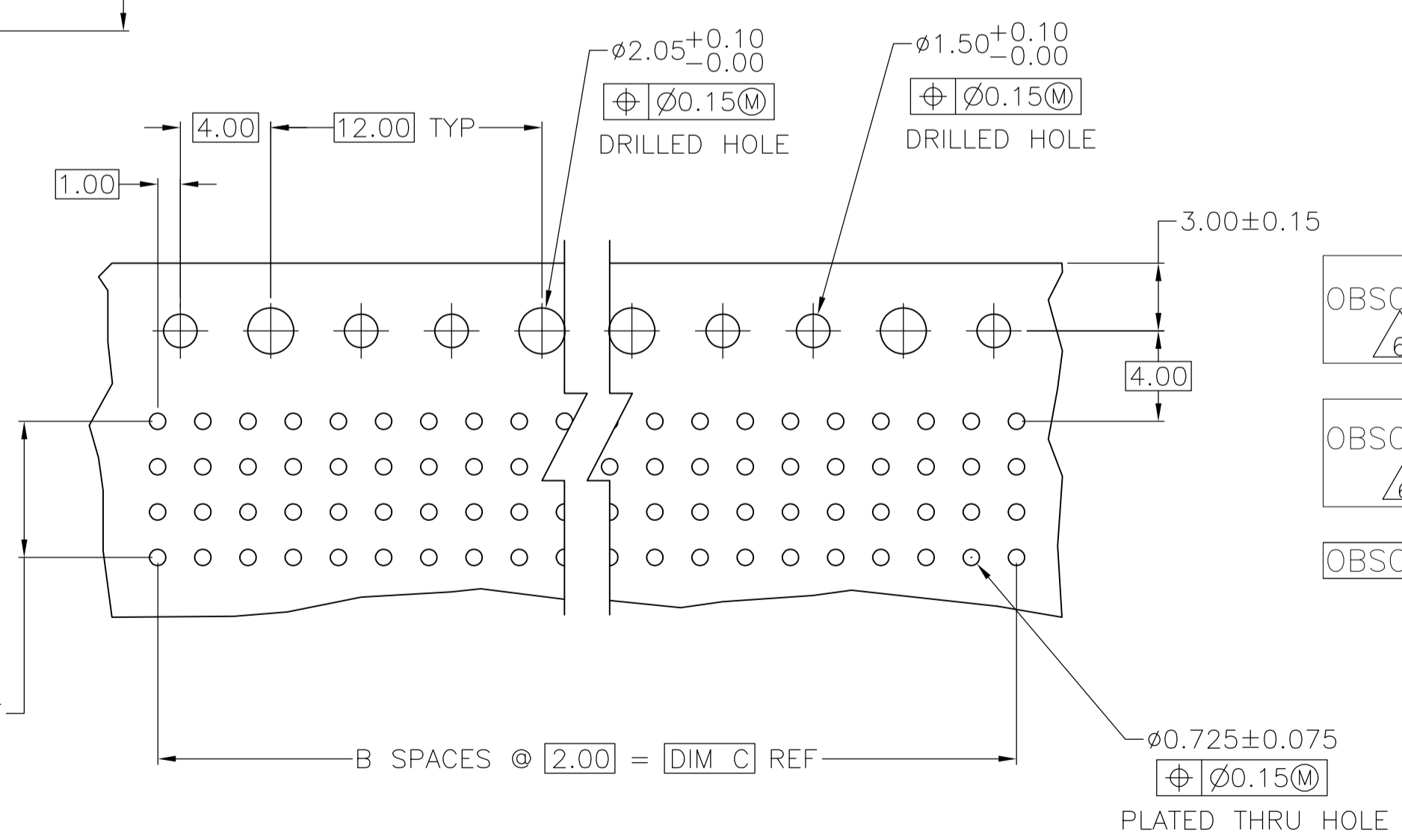
Email & Skype: info@chipsmall.com Web: www.chipsmall.com

Address: A1208, Overseas Decoration Building, #122 Zhenhua RD., Futian, Shenzhen, China





DETAIL Z
SCALE 20:1



RECOMMENDED CIRCUIT PATTERN
PER IPC-D300 TYPE II, CLASS C
(COMPONENT SIDE)

- △ HOUSING MATERIAL: LIQUID CRYSTAL POLYMER PER ASTM D5138 LCP000 G30A 32250, COLOR: NATURAL.
- △ CONTACT MATERIAL: PHOSPHOR-BRONZE.
- △ CONTACT FINISH:
UNDERPLATE (ENTIRE CONTACT) -
0.00127 MIN NICKEL PER SAE-AMS-QQ-N-290.
ON MATING SURFACES-
CONFORMS TO ALL TESTING SPECIFIED FOR TELCORDIA UNCONTROLLED ENVIRONMENT
ON LEADS-
0.0006 MIN TIN PER ASTM B 545, OVER UNDERPLATE
LUBRICATION (MIN MATING SURFACES)
SURFACE CONDITIONER AFTER PLATING.
- △ PART MARKING, LOCATED APPROXIMATELY AS SHOWN.
- △ CONTACT FINISH:
UNDERPLATE (ENTIRE CONTACT) -
0.00127 MIN NICKEL PER SAE-AMS-QQ-N-290.
ON MATING SURFACES-
0.00076 MIN NICKEL OR COBALT HARDENED GOLD PER ASTM B-488 OVER UNDERPLATE.
ON LEADS-
0.0006 MIN TIN PER ASTM B 545, OVER UNDERPLATE
LUBRICATION (MIN MATING SURFACES)
SURFACE CONDITIONER AFTER PLATING.
- △ OBSOLETE PARTS: OBSOLETE CIS STREAMLINING PER D.RENAUD/D.SINISI

OBSOLETE △ 6	NO	46	23	47.88	△ 5	96	3=5536511=3
	NO	22	11	23.88	△ 5	48	3=5536511=2
OBSOLETE △ 6	YES	10	5	11.88	△ 5	24	3=5536511=1
	NO	34	17	35.88	△ 3	72	1=5536511=2
OBSOLETE △ 6	NO	130	65	131.88	△ 3	264	1=5536511=1
	NO	106	53	107.88	△ 3	216	1=5536511=0
OBSOLETE △ 6	NO	118	59	119.88	△ 3	240	5536511=9
	NO	82	41	83.88	△ 3	168	5536511-8
OBSOLETE △ 6	NO	66	33	67.88	△ 3	136	5536511=7
	NO	58	29	59.88	△ 3	120	5536511-6
OBSOLETE △ 6	NO	70	35	71.88	△ 3	144	5536511-5
	NO	94	47	95.88	△ 3	192	5536511-4
OBSOLETE △ 6	NO	46	23	47.88	△ 3	96	5536511-3
	NO	22	11	23.88	△ 3	48	5536511-2
OBSOLETE △ 6	YES	10	5	11.88	△ 3	24	5536511-1
	NO	46	23	47.88	△ 3	96	5536511-3
OBSOLETE △ 6	NO	22	11	23.88	△ 3	48	5536511-2
	YES	10	5	11.88	△ 3	24	5536511-1
POSITIONING PEGS	C	B	A	FINISH	NO OF POSN	PART NUMBER	

THIS DRAWING IS A CONTROLLED DOCUMENT.

DIMENSIONS: mm	TOLERANCES UNLESS OTHERWISE SPECIFIED:	DIN B1 MCMASITER 31AUG04	APVD R. WERTZ 31AUG04	NAME	RCPT. ASSY, SIGNAL MODULE, Z-PACK 2mm FB 4 ROW, 3.55mm PRESS FIT LEAD LENGTH
0 PLC ± -	1 PLC ± -	2 PLC ± .13	3 PLC ± -	4 PLC ± -	ANGLES ± -
MATERIAL	FINISH	SIZE	CAGE CODE	DRAWING NO	RESTRICTED TO
1/2	3/5	A1	00779	5536511	
CUSTOMER DRAWING		SCALE	4:1	SHEET	1 of 1

STE TE Connectivity