



Chipsmall Limited consists of a professional team with an average of over 10 year of expertise in the distribution of electronic components. Based in Hongkong, we have already established firm and mutual-benefit business relationships with customers from,Europe,America and south Asia,supplying obsolete and hard-to-find components to meet their specific needs.

With the principle of “Quality Parts,Customers Priority,Honest Operation,and Considerate Service”,our business mainly focus on the distribution of electronic components. Line cards we deal with include Microchip,ALPS,ROHM,Xilinx,Pulse,ON,Everlight and Freescale. Main products comprise IC,Modules,Potentiometer,IC Socket,Relay,Connector.Our parts cover such applications as commercial,industrial, and automotives areas.

We are looking forward to setting up business relationship with you and hope to provide you with the best service and solution. Let us make a better world for our industry!



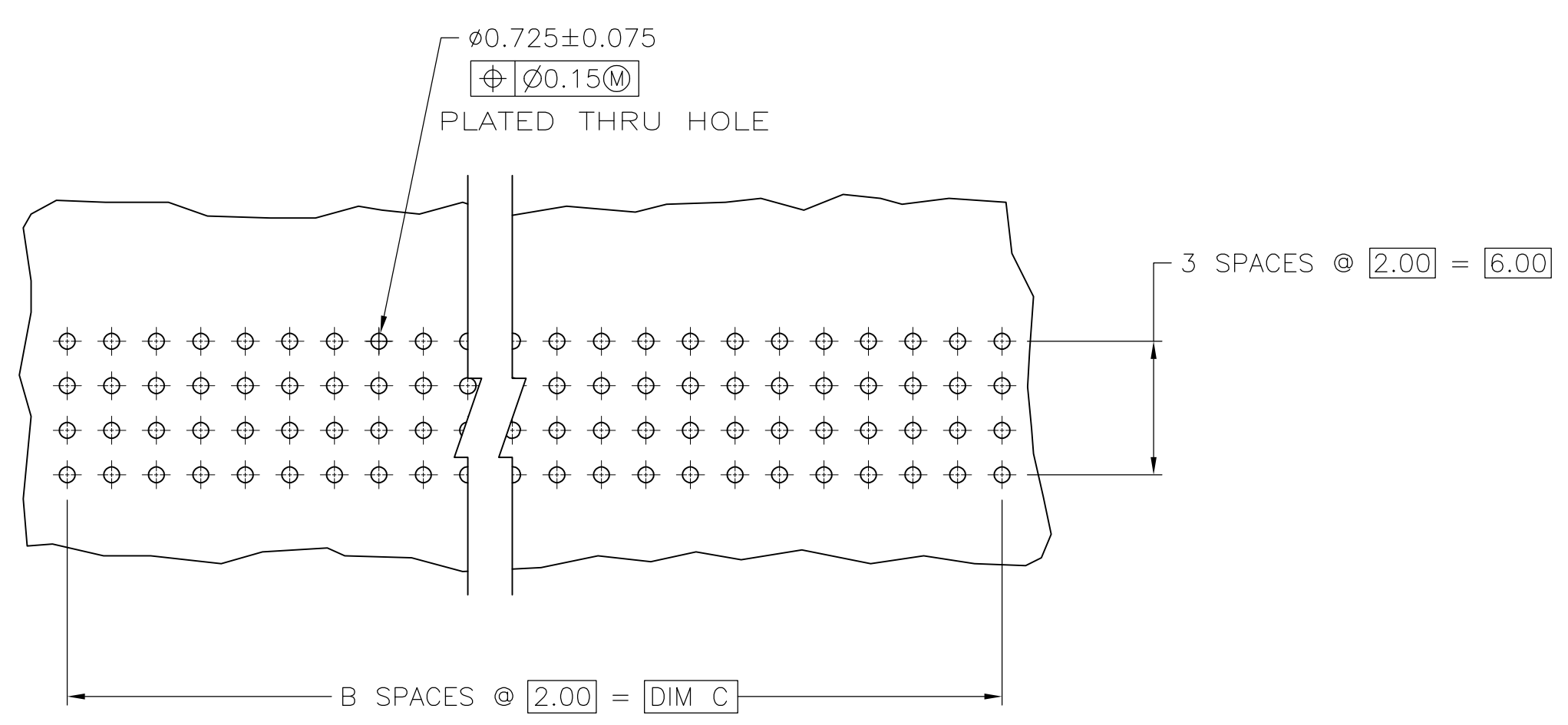
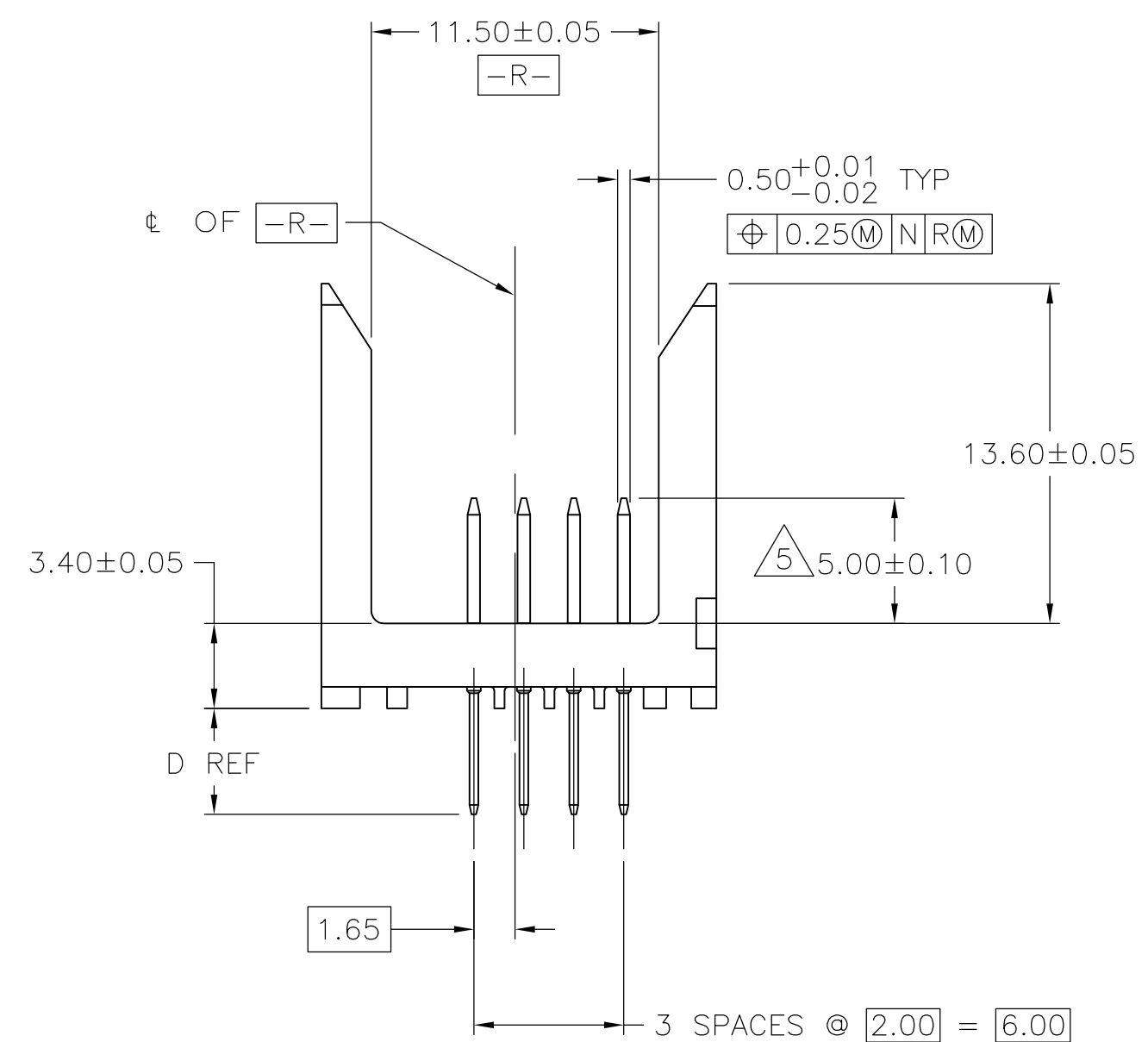
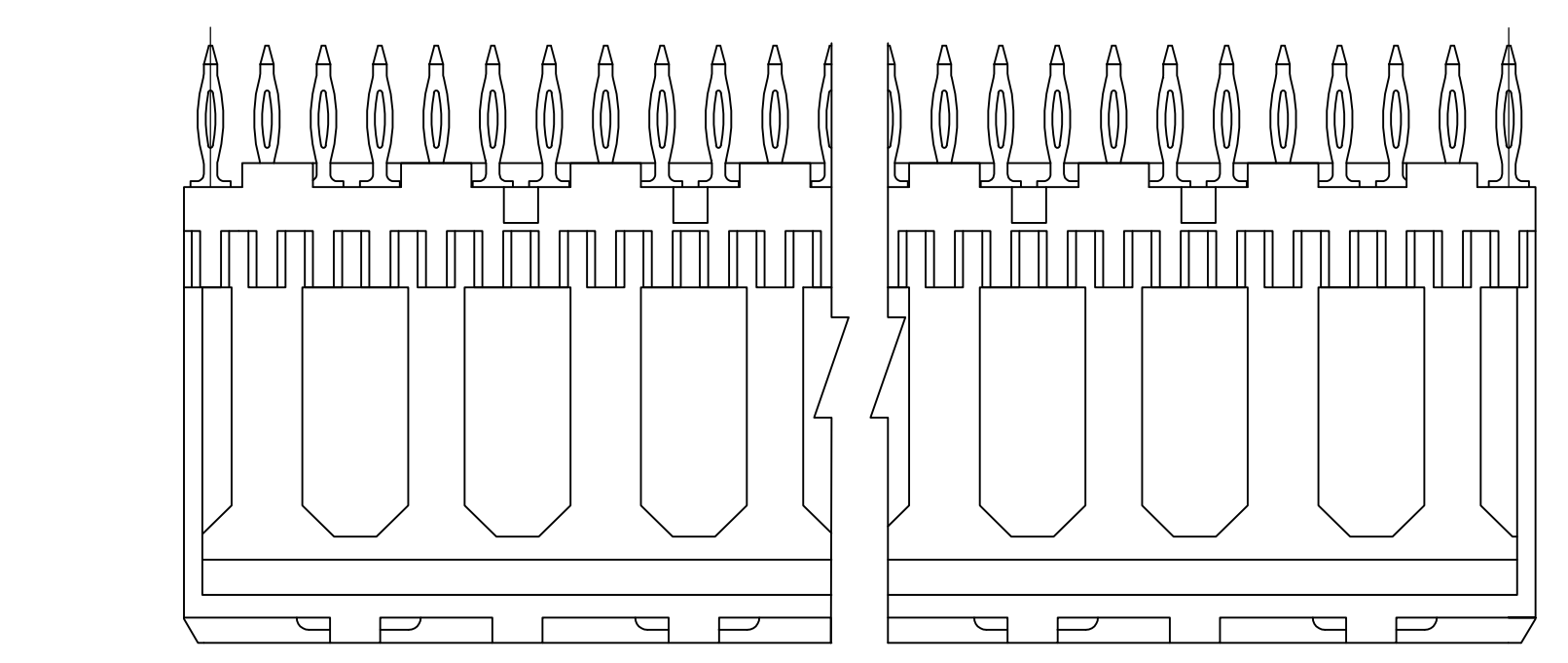
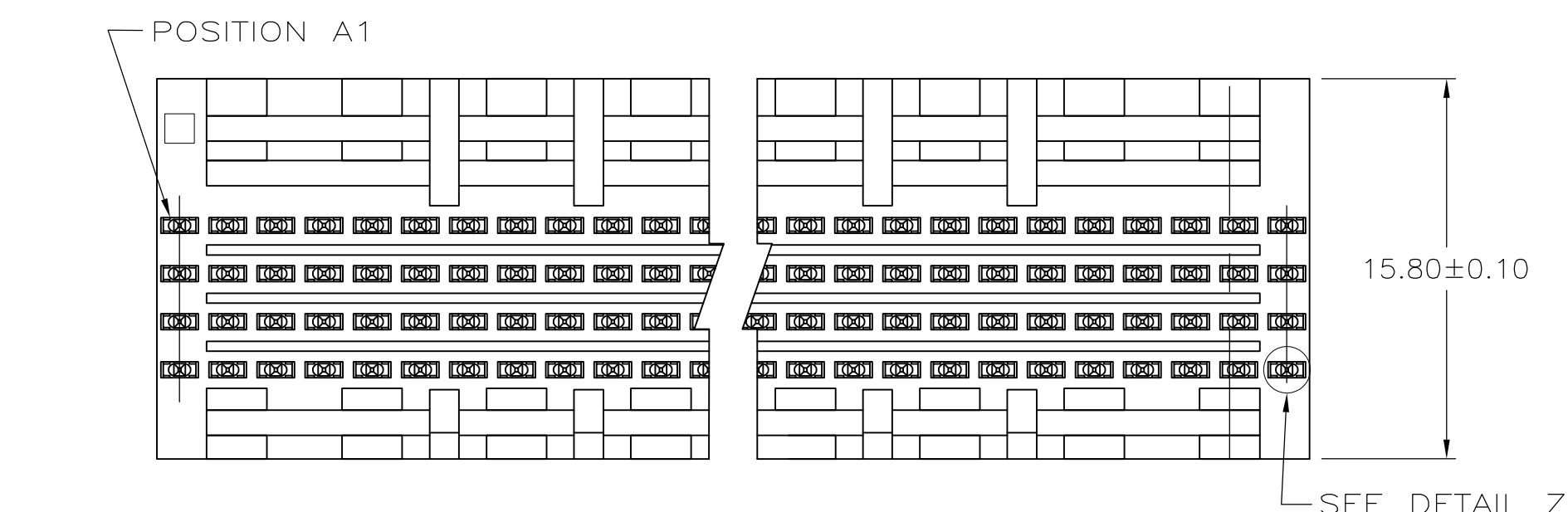
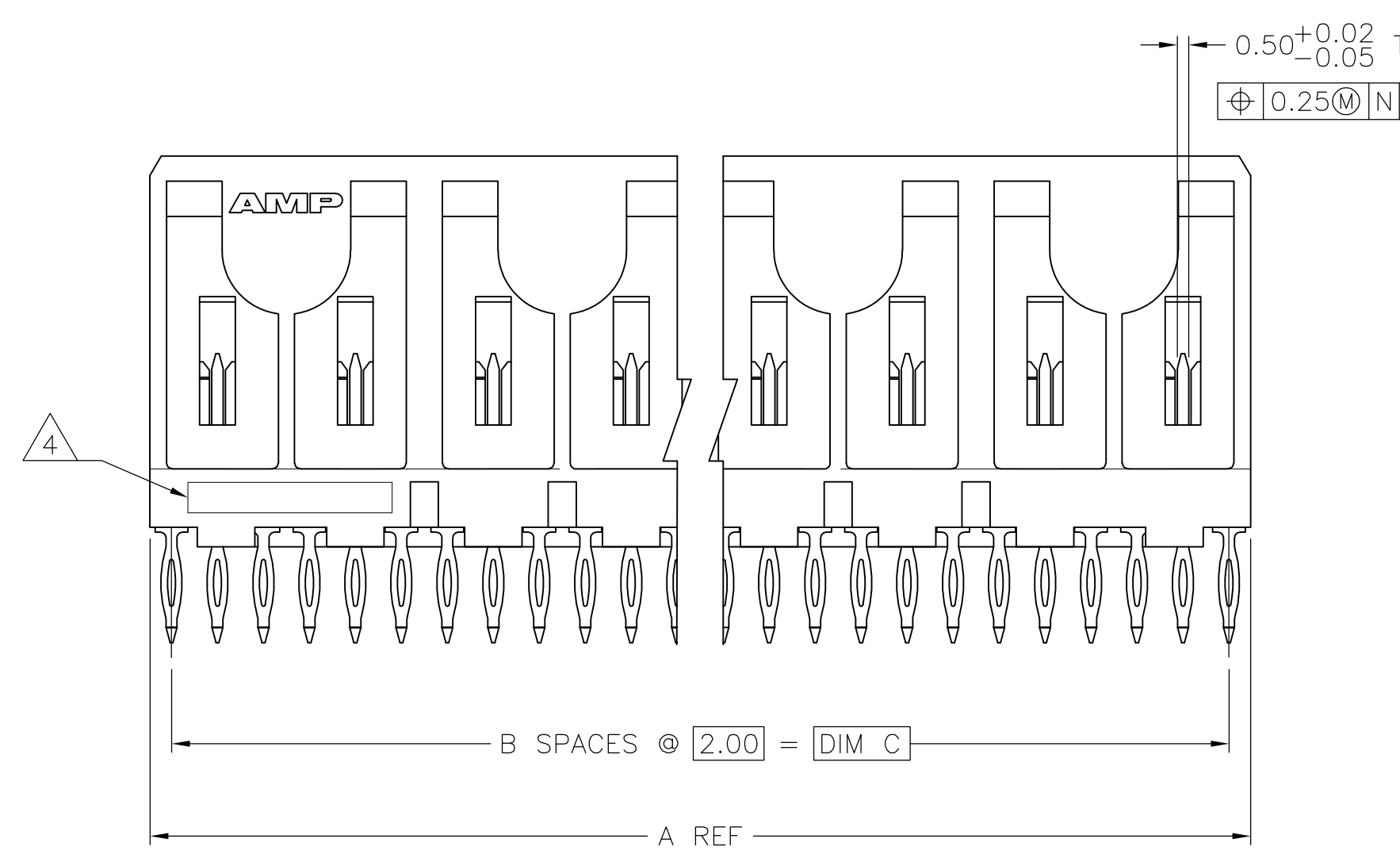
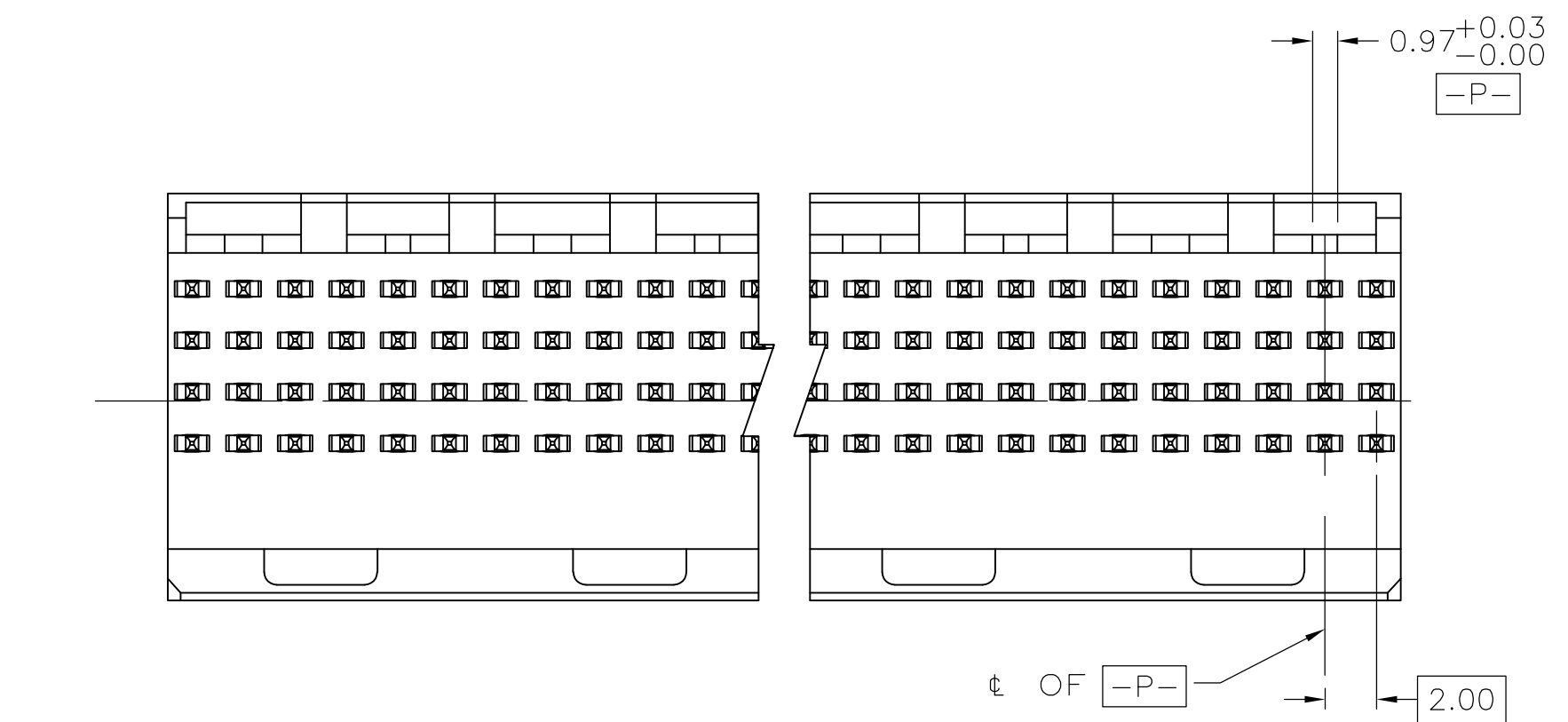
Contact us

Tel: +86-755-8981 8866 Fax: +86-755-8427 6832

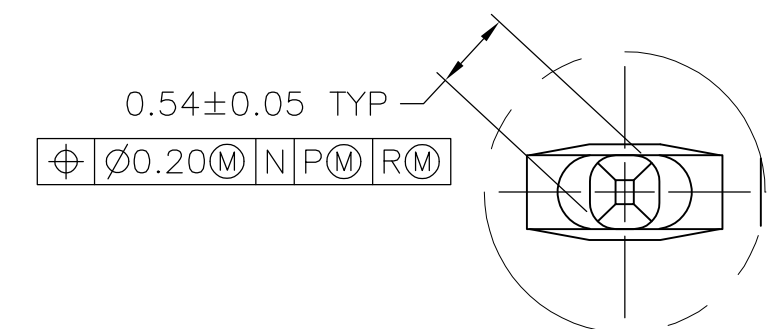
Email & Skype: info@chipsmall.com Web: www.chipsmall.com

Address: A1208, Overseas Decoration Building, #122 Zhenhua RD., Futian, Shenzhen, China





- 1 HOUSING MATERIAL: LIQUID CRYSTAL POLYMER PER ASTM D5138 LCP000 G30A 32250.
- 2 CONTACT MATERIAL: PHOSPHOR BRONZE.
- 3 CONTACT FINISH:
 UNDERPLATE (ENTIRE CONTACT):
 0.00127 MIN NICKEL PER SAE-AMS-QQ-N-290.
 ON MATING SURFACES:
 CONFORMS TO ALL TESTING SPECIFIED FOR TELCORDIA UNCONTROLLED ENVIRONMENT.
 ON LEADS:
 0.0006 MIN TIN PER ASTM B 545 OVER UNDERPLATE.
 LUBRICATION (MIN MATING SURFACES):
 SURFACE CONDITIONER AFTER PLATING.
- 4 PART MARKING, LOCATED APPROXIMATELY AS SHOWN.
- 5 DIMENSION APPLIES WHEN SEATED ON PRINTED CIRCUIT BOARD.
- 6 OBSOLETE PARTS: OBSOLETE CIS STREAMLINING PER D.RENAUD/D.SINISI



DETAIL Z
SCALE 20:1

OBSOLETE	D	C	B	A	FINISH	NO OF POSN	PART NUMBER
6	4.25	58.00	29	59.88	3	120	5536514-6
	4.25	72.00	35	71.88	3	144	5536514-5
	4.25	94.00	47	95.88	3	192	5536514-4
	4.25	46.00	23	47.88	3	96	5536514-3
	4.25	22.00	11	23.88	3	48	5536514-2
	4.25	10.00	5	11.88	3	24	5536514-1

THIS DRAWING IS A CONTROLLED DOCUMENT.

DIMENSIONS:	TOLERANCES UNLESS OTHERWISE SPECIFIED:	DWN B. MCMASTER 31AUG04	CHK R. WERTZ 31AUG04	APVD R. WERTZ 31AUG04	NAME	
mm	0 PLC ± -				PIN ASSEMBLY, SIGNAL MODULE, Z-PACK 2mm FB	
	1 PLC ± 0.13				2mm, 4 ROW, 5.00 mm MATING LENGTH	
	2 PLC ± -				PRESS FIT LEAD	
	3 PLC ± -					
	4 PLC ± -					
	ANGLES ± -					
MATERIAL	FINISH	WEIGHT	SIZE	CAGE CODE	DRAWING NO	RESTRICTED TO
1	2		A1	00779	5536514	
	3					

CUSTOMER DRAWING SCALE 4:1 SHEET 1 OF 1 REV P

RECOMMENDED CIRCUIT PATTERN
PER IPC-D300 TYPE II, CLASS C
(COMPONENT SIDE)