



Chipsmall Limited consists of a professional team with an average of over 10 year of expertise in the distribution of electronic components. Based in Hongkong, we have already established firm and mutual-benefit business relationships with customers from,Europe,America and south Asia,supplying obsolete and hard-to-find components to meet their specific needs.

With the principle of "Quality Parts,Customers Priority,Honest Operation,and Considerate Service",our business mainly focus on the distribution of electronic components. Line cards we deal with include Microchip,ALPS,ROHM,Xilinx,Pulse,ON,Everlight and Freescale. Main products comprise IC,Modules,Potentiometer,IC Socket,Relay,Connector.Our parts cover such applications as commercial,industrial, and automotives areas.

We are looking forward to setting up business relationship with you and hope to provide you with the best service and solution. Let us make a better world for our industry!



Contact us

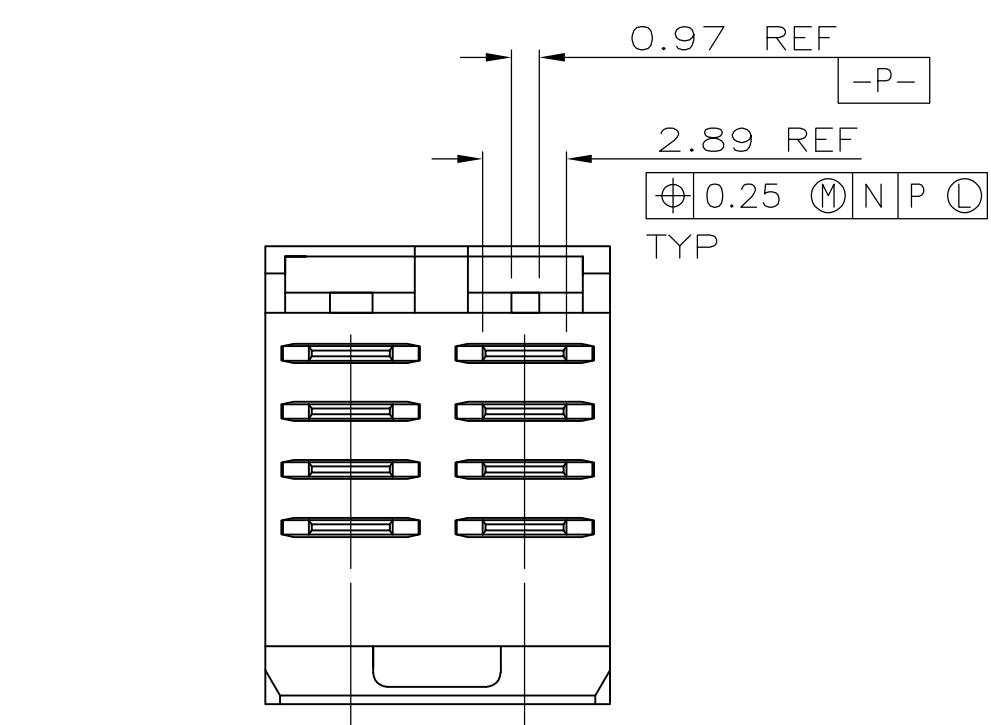
Tel: +86-755-8981 8866 Fax: +86-755-8427 6832

Email & Skype: info@chipsmall.com Web: www.chipsmall.com

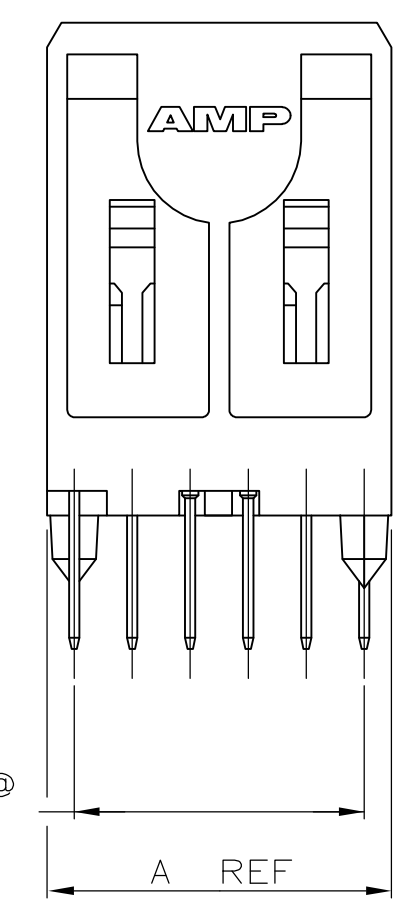
Address: A1208, Overseas Decoration Building, #122 Zhenhua RD., Futian, Shenzhen, China



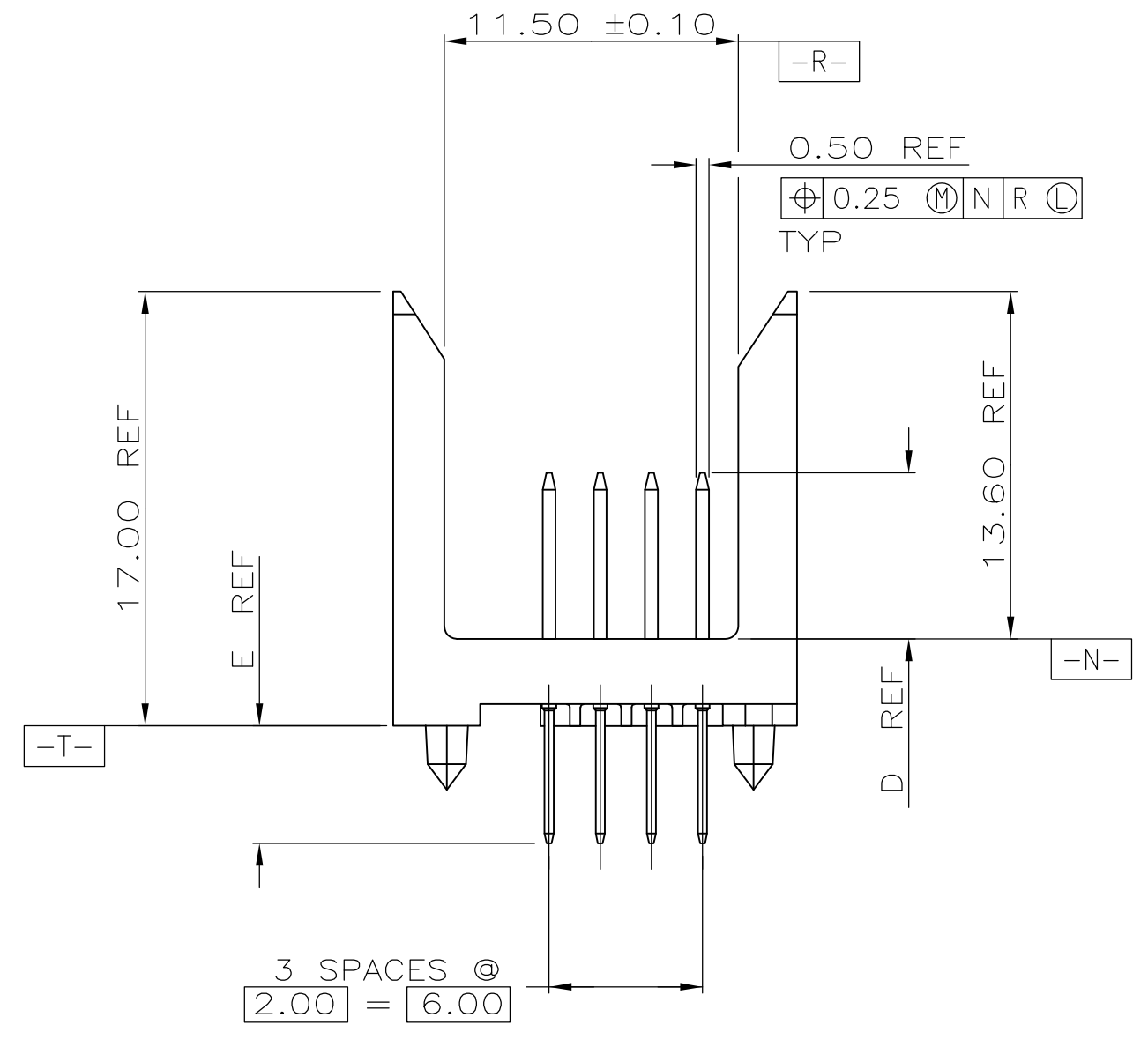
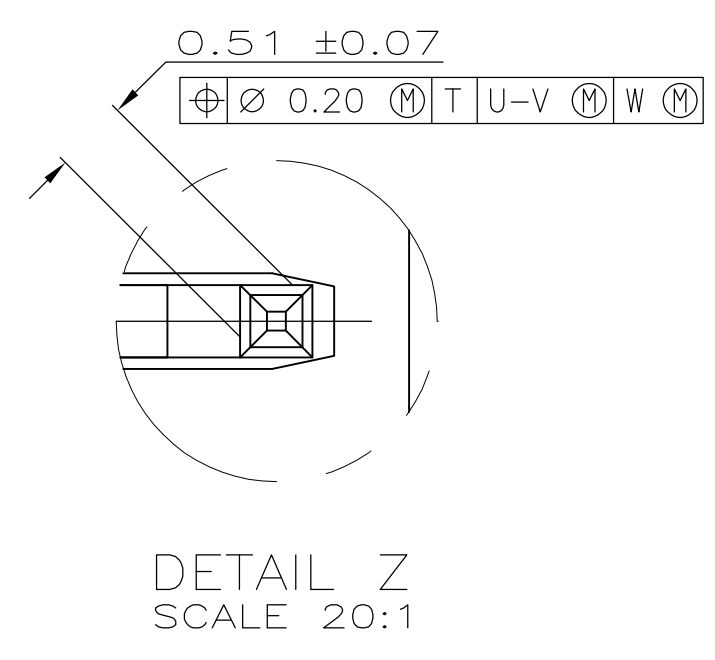
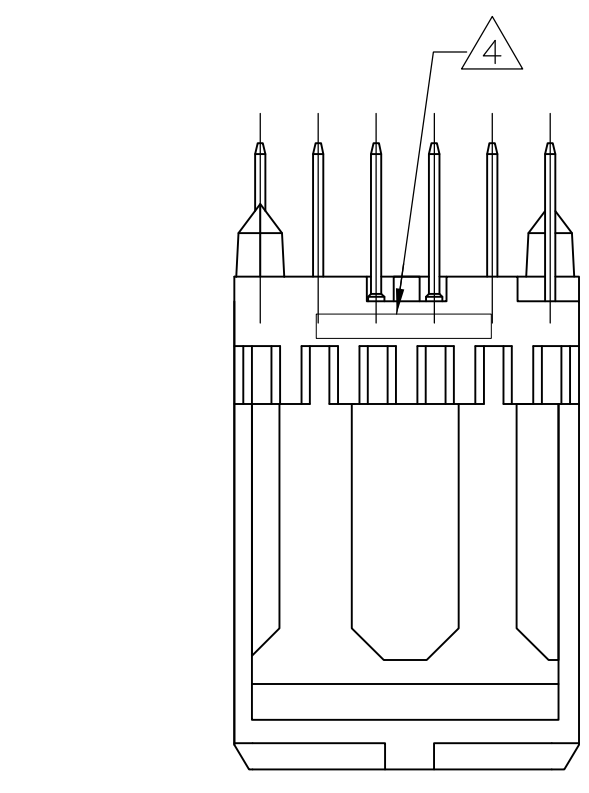
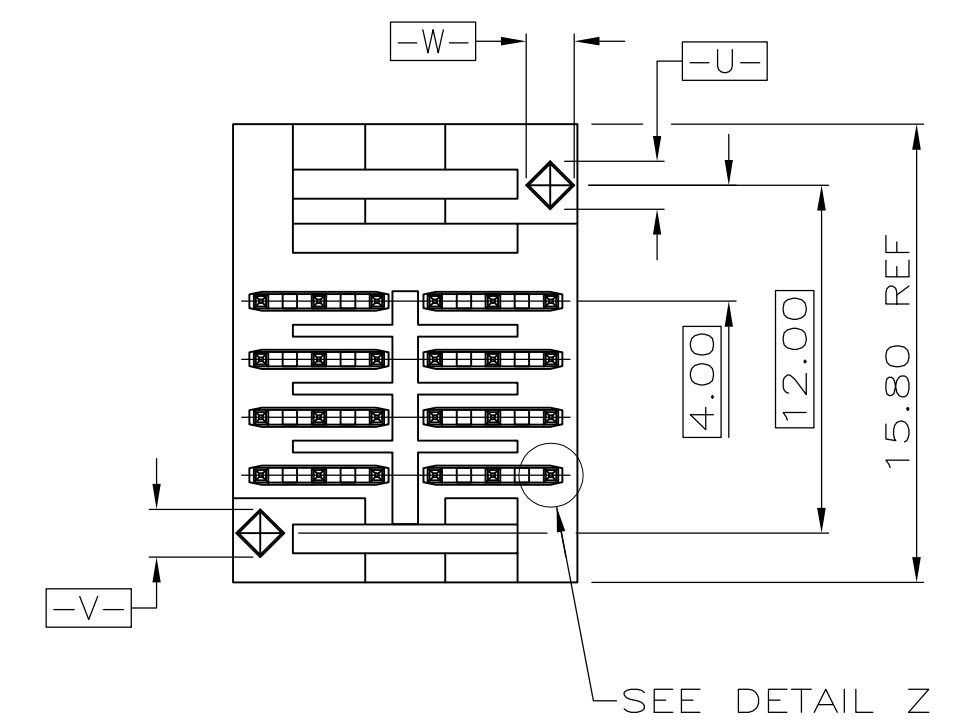
LOC	DIST	REVISIONS			
AD	00	P	LTR	DESCRIPTION	DATE
		P		REVISED PER ECO-11-004835	11MAR11
					OWN
					APVD
					RK
					HMR



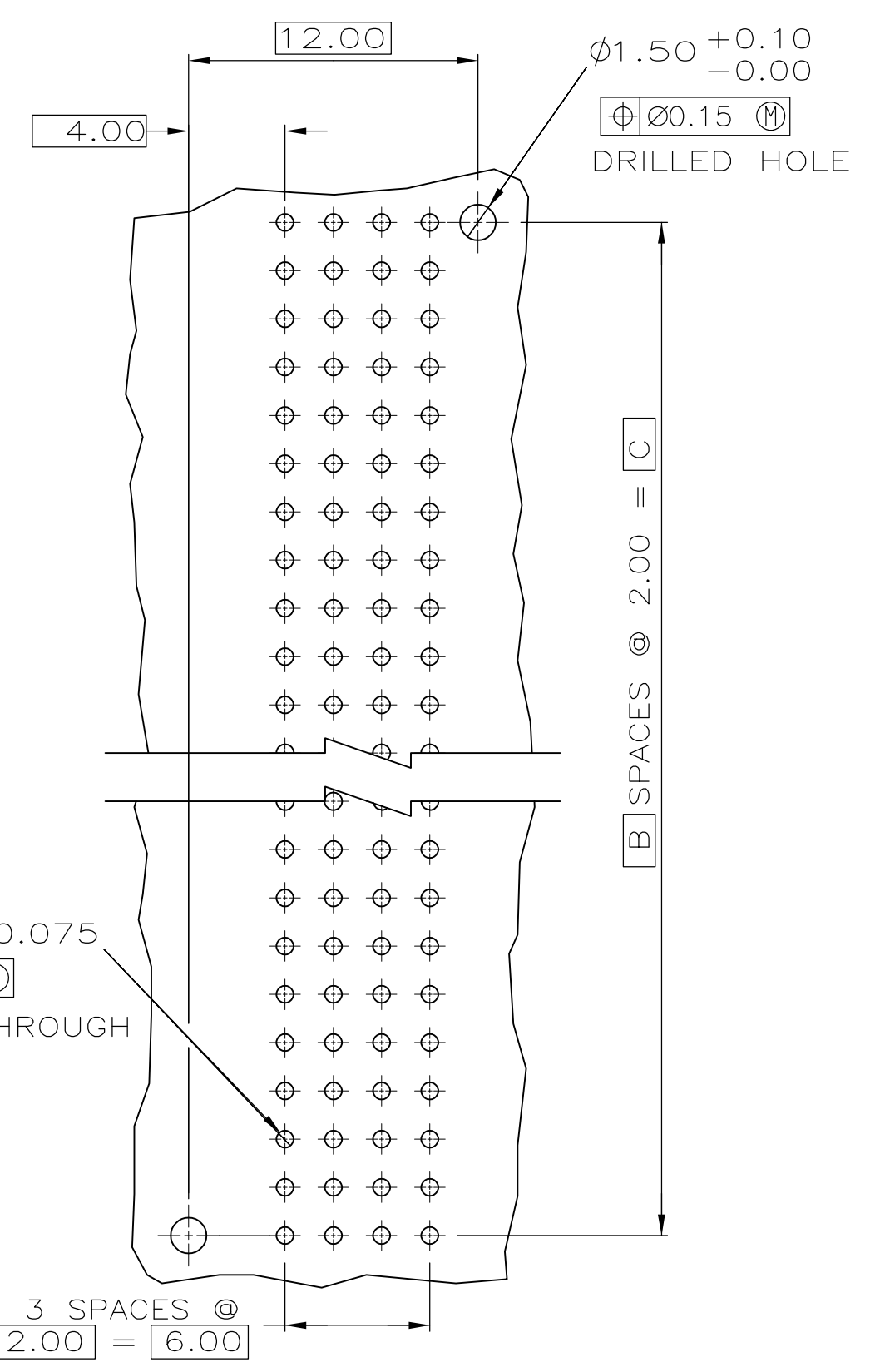
F SPACES @
6.00 = 6



B SPACES @
2.00 = 6



3 SPACES @
2.00 = 6.00



3 SPACES @
2.00 = 6.00

RECOMMENDED CIRCUIT PATTERN
PER IPC-D300 TYPE II, CLASS C
(COMPONENT SIDE)

- 1 HOUSING MATERIAL: LIQUID CRYSTAL POLYMER PER ASTM D5138 LCPO00 G30A 32250.
- 2 CONTACT MATERIAL: PHOSPHOR BRONZE PER UNS ALLOY NO. C51100, TEMPER: H04.
- 3 CONTACT FINISH:(E)
UNDERPLATE (ENTIRE CONTACT):
0.00127 MIN NICKEL PER SAE-AMS-QQ-N-290
ON MATING SURFACES:
FLASH GOLD PER ASTM B 488, OVER
0.00076 MIN PALLADIUM-NICKEL OVER UNDERPLATE, OR
0.00076 MIN GOLD PER ASTM B 488 OVER UNDERPLATE.
ON LEADS:
0.00381 MIN MATTE TIN PER ASTM B 545 OVER UNDERPLATE.
LUBRICATION (MIN MATING SURFACES):
SURFACE CONDITIONER AFTER PLATING.
- 4 PART MARKING, LOCATED APPROXIMATELY AS SHOWN.

6.00	1	4.25	6.50	10.00	5	11.83	3	8	5536600-1
G	F	E	D	C	B	A	FINISH	NO OF POSN	PART NUMBER

THIS DRAWING IS A CONTROLLED DOCUMENT.		OWN	08/11/92	NAME	Z-PACK 2mm FB, POWER MODULE, PIN ASSEMBLY 2mm CL, 4 ROW, TABLED MATING & LEAD LENGTHS
		D.R. BENDER	09/03/92		
DIMENSIONS:		TOLERANCES UNLESS OTHERWISE SPECIFIED:		APVD	PRODUCT SPEC
mm					APPLICATION SPEC
0 PLC ± -		1 PLC ± -		MATERIAL	
2 PLC ± 0.13		3 PLC ± -		FINISH	
4 PLC ± -		ANGLES ± -		WEIGHT	
MATERIAL		FINISH		SCALE	
1		2		3	
CUSTOMER DRAWING		SCALE		SHEET	
		4:1		1 OF 1	
				REV	
				P	