



Chipsmall Limited consists of a professional team with an average of over 10 year of expertise in the distribution of electronic components. Based in Hongkong, we have already established firm and mutual-benefit business relationships with customers from,Europe,America and south Asia,supplying obsolete and hard-to-find components to meet their specific needs.

With the principle of “Quality Parts,Customers Priority,Honest Operation,and Considerate Service”,our business mainly focus on the distribution of electronic components. Line cards we deal with include Microchip,ALPS,ROHM,Xilinx,Pulse,ON,Everlight and Freescale. Main products comprise IC,Modules,Potentiometer,IC Socket,Relay,Connector.Our parts cover such applications as commercial,industrial, and automotives areas.

We are looking forward to setting up business relationship with you and hope to provide you with the best service and solution. Let us make a better world for our industry!



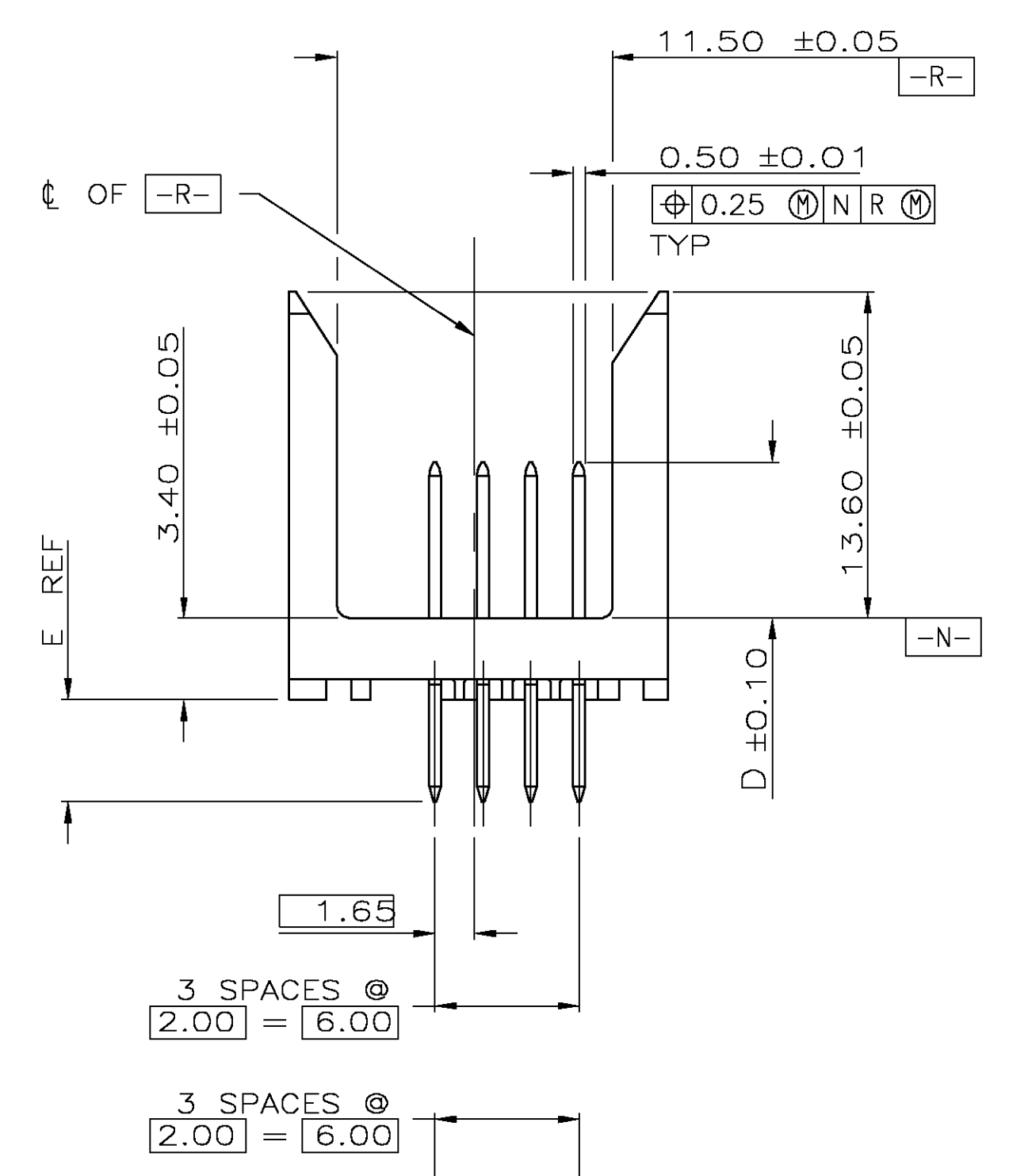
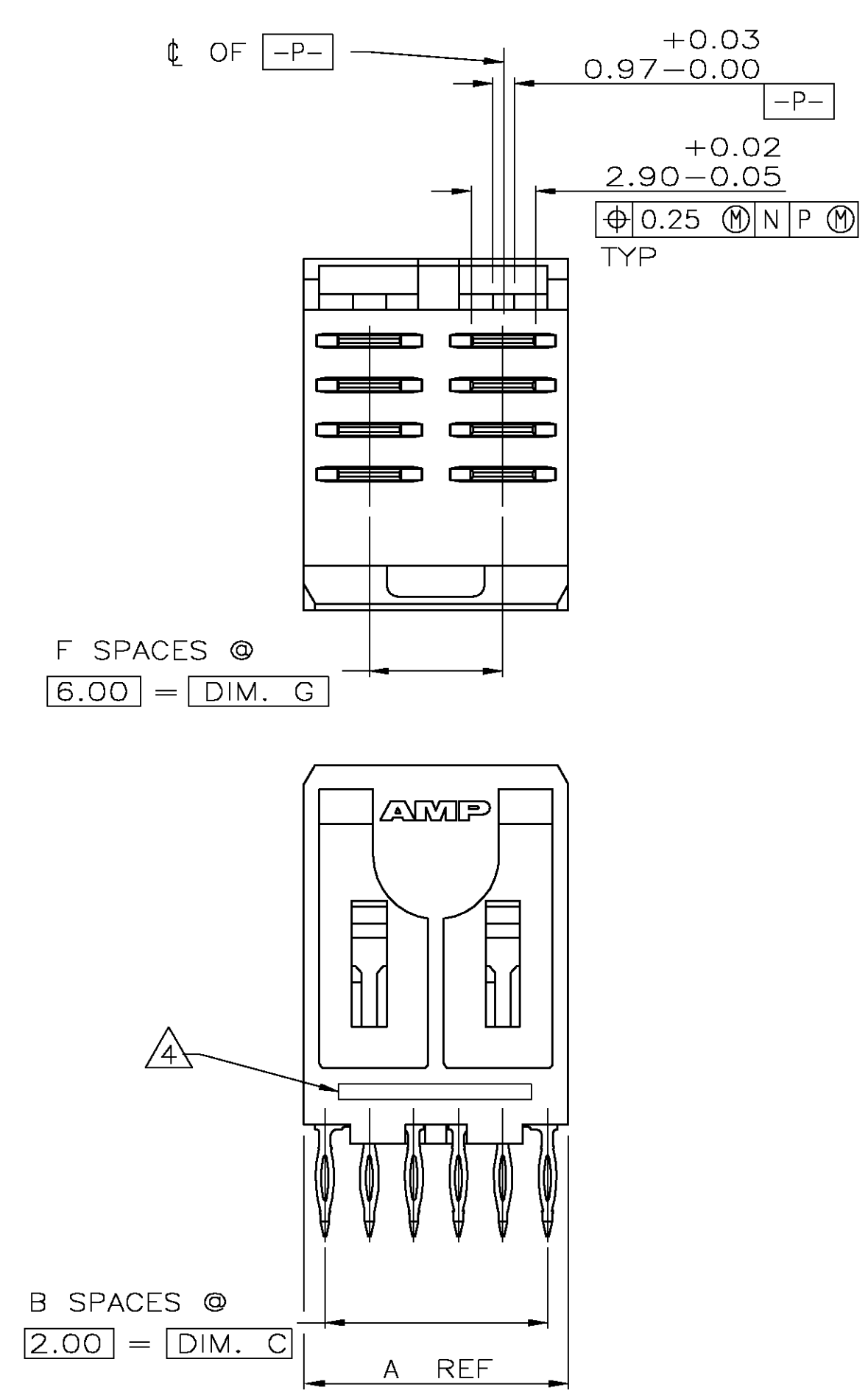
Contact us

Tel: +86-755-8981 8866 Fax: +86-755-8427 6832

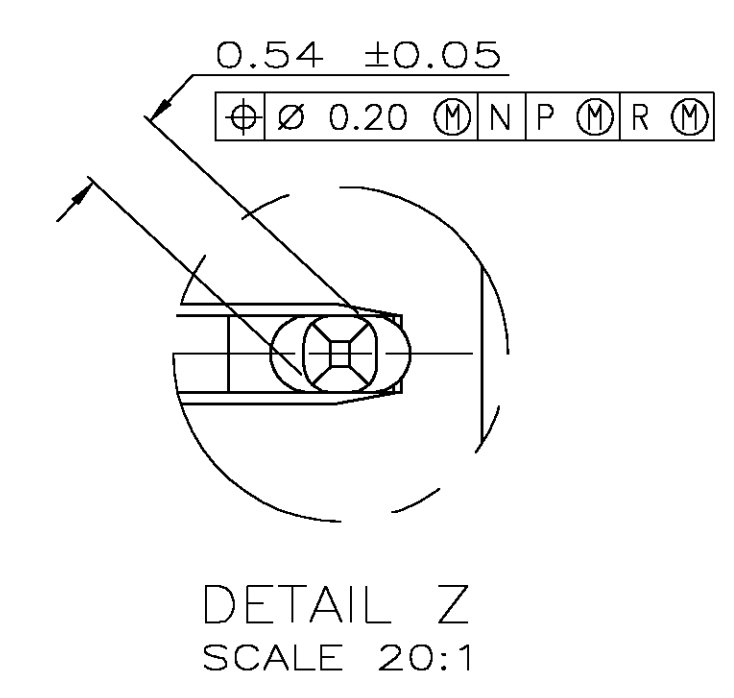
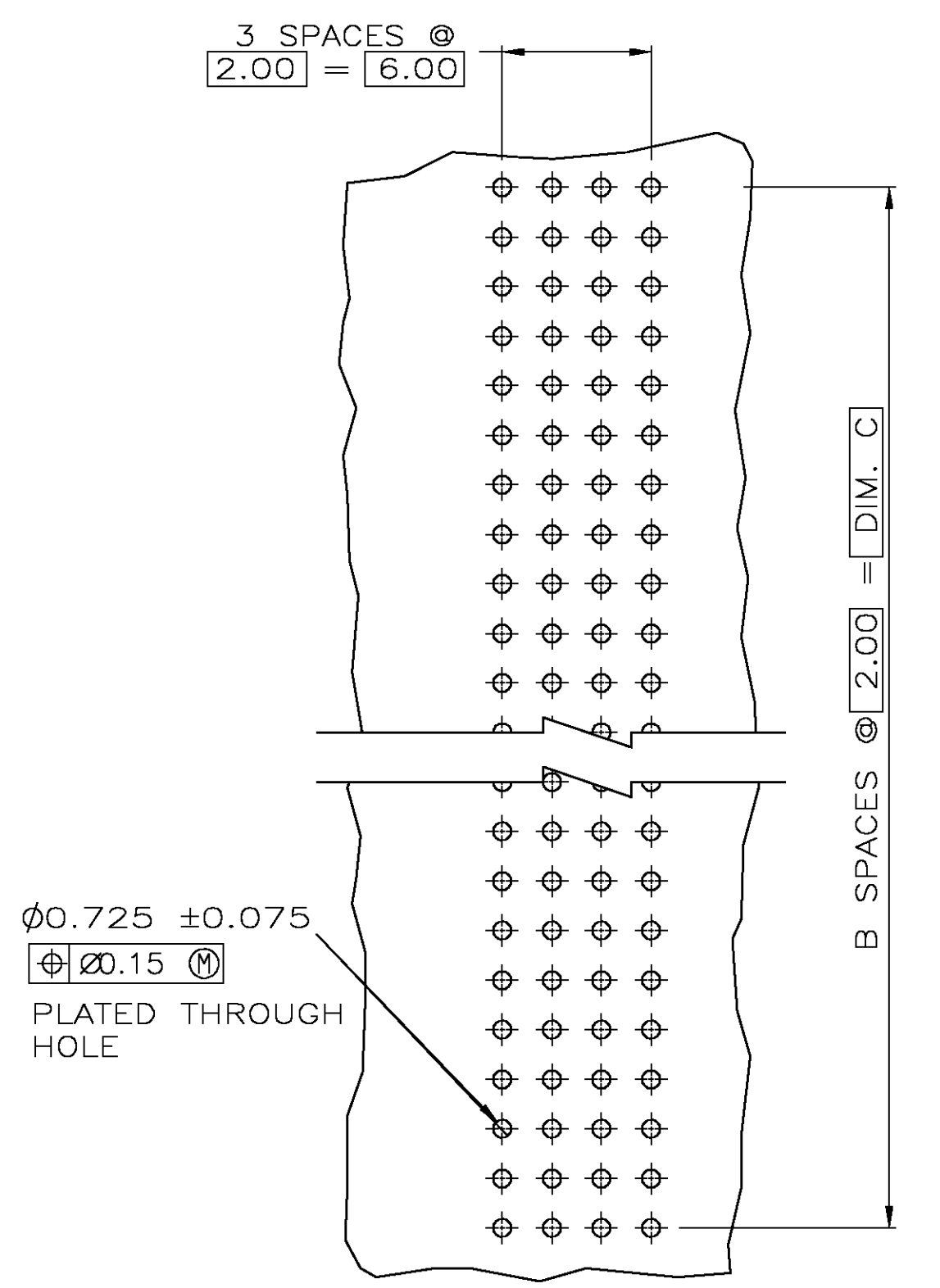
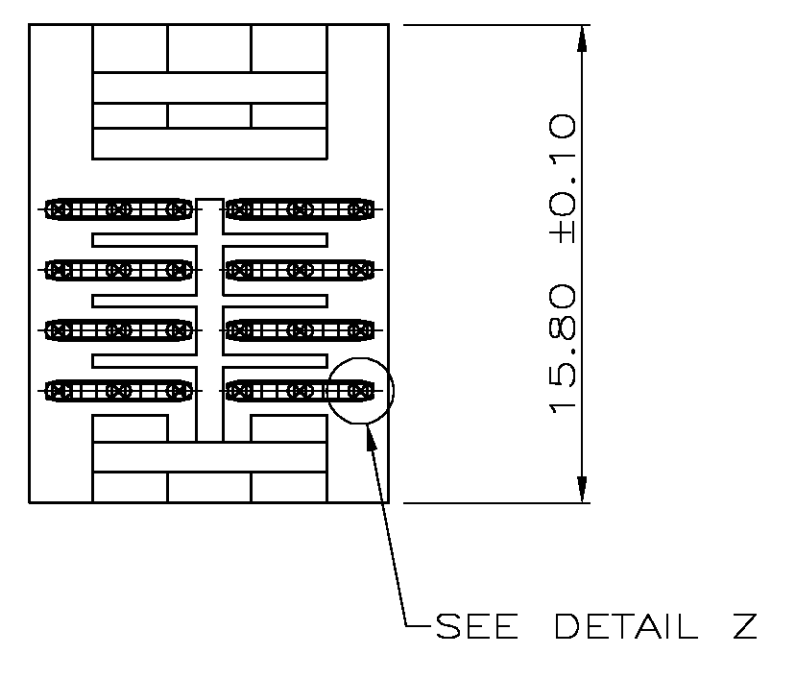
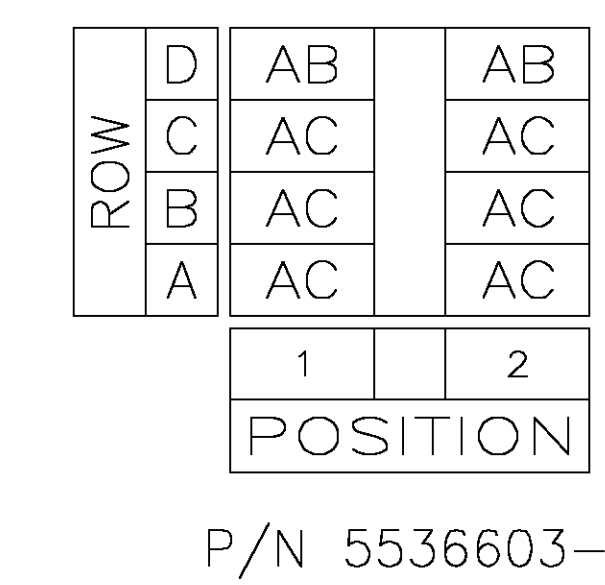
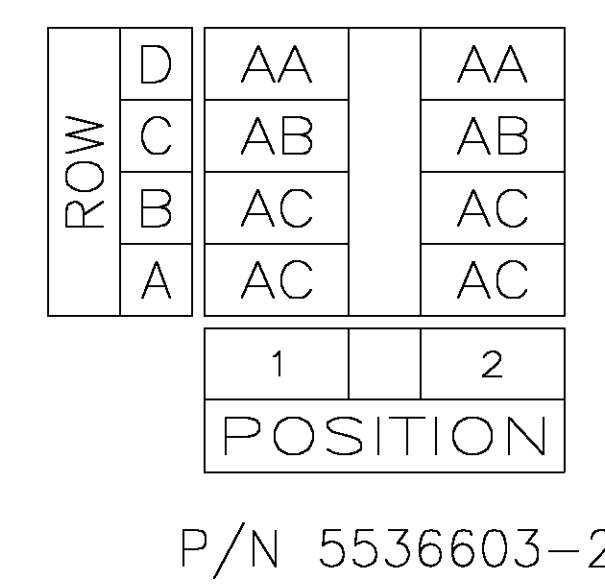
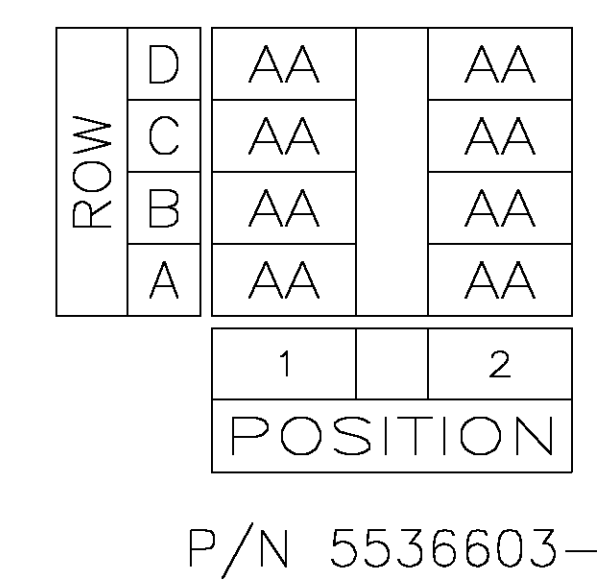
Email & Skype: info@chipsmall.com Web: www.chipsmall.com

Address: A1208, Overseas Decoration Building, #122 Zhenhua RD., Futian, Shenzhen, China





- ① HOUSING MATERIAL: LIQUID CRYSTAL POLYMER PER ASTM D5138 LCP000 G30A 32250.
- ② CONTACT MATERIAL: PHOSPHOR BRONZE PER UNS ALLOY NO. C51100, TEMPER: H04.
- ③ CONTACT FINISH:(D)
 UNDERPLATE (ENTIRE CONTACT):
 0.00127 MIN NICKEL PER SAE-AMS-QQ-N-290
 ON MATING SURFACES:
 FLASH GOLD PER ASTM B 488, OVER
 0.00076 MIN PALLADIUM-NICKEL OVER UNDERPLATE, OR
 0.00076 MIN GOLD PER ASTM B 488 OVER UNDERPLATE.
 ON LEADS:
 0.00127 MIN MATTE TIN PER ASTM B 545 OVER UNDERPLATE.
 LUBRICATION (MIN MATING SURFACES):
 SURFACE CONDITIONER AFTER PLATING.
- ④ PART MARKING, LOCATED APPROXIMATELY AS SHOWN.



CODE LETTER	MATING POST LENGTH D	LEAD LENGTH (REF)
AA	6.5	4.25
AB	7.25	4.25
AC	8	4.25

6.00	1	4.25	10.00	5	11.83	③	③	8	5536603-6
6.00	1	4.25	10.00	5	11.83	③	③	8	5536603-2
6.00	1	4.25	10.00	5	11.83	③	③	8	5536603-1
G	F	E	C	B	A	FINISH	NO OF POSN	PART NUMBER	

RECOMMENDED CIRCUIT PATTERN
 PER IPC-D300 TYPE II, CLASS C
 (COMPONENT SIDE)

THIS DRAWING IS A CONTROLLED DOCUMENT.

DIMENSIONS: INCHES	TOLERANCES UNLESS OTHERWISE SPECIFIED:	DIN J. LOCONDRO 10/19/92	TYCO Electronics
0. PLC ± -	1. PLC ± -	CIK D. BAECHTLE 02/18/93	Tyco Electronics Corporation
2. PLC ± ± 0.13	3. PLC ± ± -		Harrisburg, Pa 17105-3608
4. PLC ± ± -	ANGLES ± ± -		
MATERIAL	FINISH	APVD	NAME
		PRODUCT SPEC	
		APPLICATION SPEC	
		SIZE	CAGE CODE
		WEIGHT	DRAWING NO
			RESTRICTED TO
		A1 00779	5536603
		CUSTOMER DRAWING	SCALE 4:1 SHEET 1 OF 1 REV 0