



Chipsmall Limited consists of a professional team with an average of over 10 year of expertise in the distribution of electronic components. Based in Hongkong, we have already established firm and mutual-benefit business relationships with customers from,Europe,America and south Asia,supplying obsolete and hard-to-find components to meet their specific needs.

With the principle of "Quality Parts,Customers Priority,Honest Operation,and Considerate Service",our business mainly focus on the distribution of electronic components. Line cards we deal with include Microchip,ALPS,ROHM,Xilinx,Pulse,ON,Everlight and Freescale. Main products comprise IC,Modules,Potentiometer,IC Socket,Relay,Connector.Our parts cover such applications as commercial,industrial, and automotives areas.

We are looking forward to setting up business relationship with you and hope to provide you with the best service and solution. Let us make a better world for our industry!



Contact us

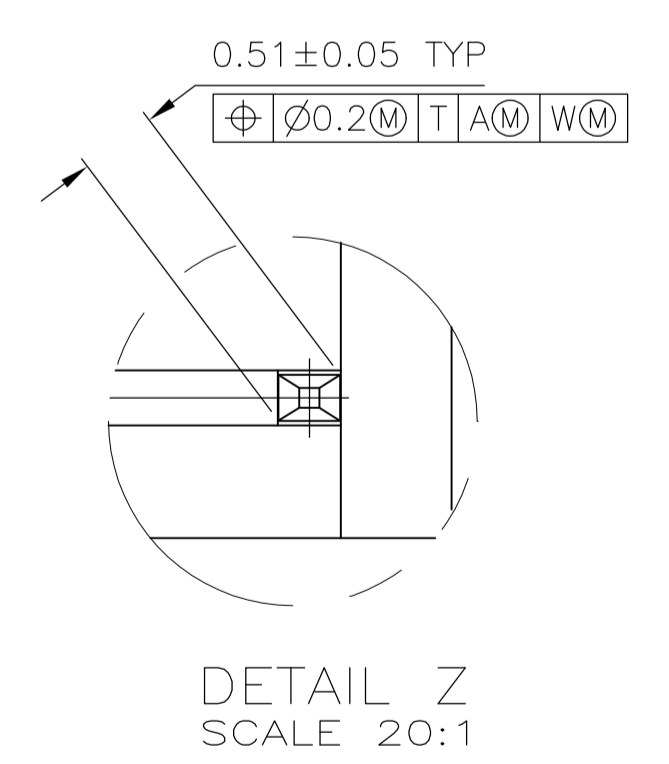
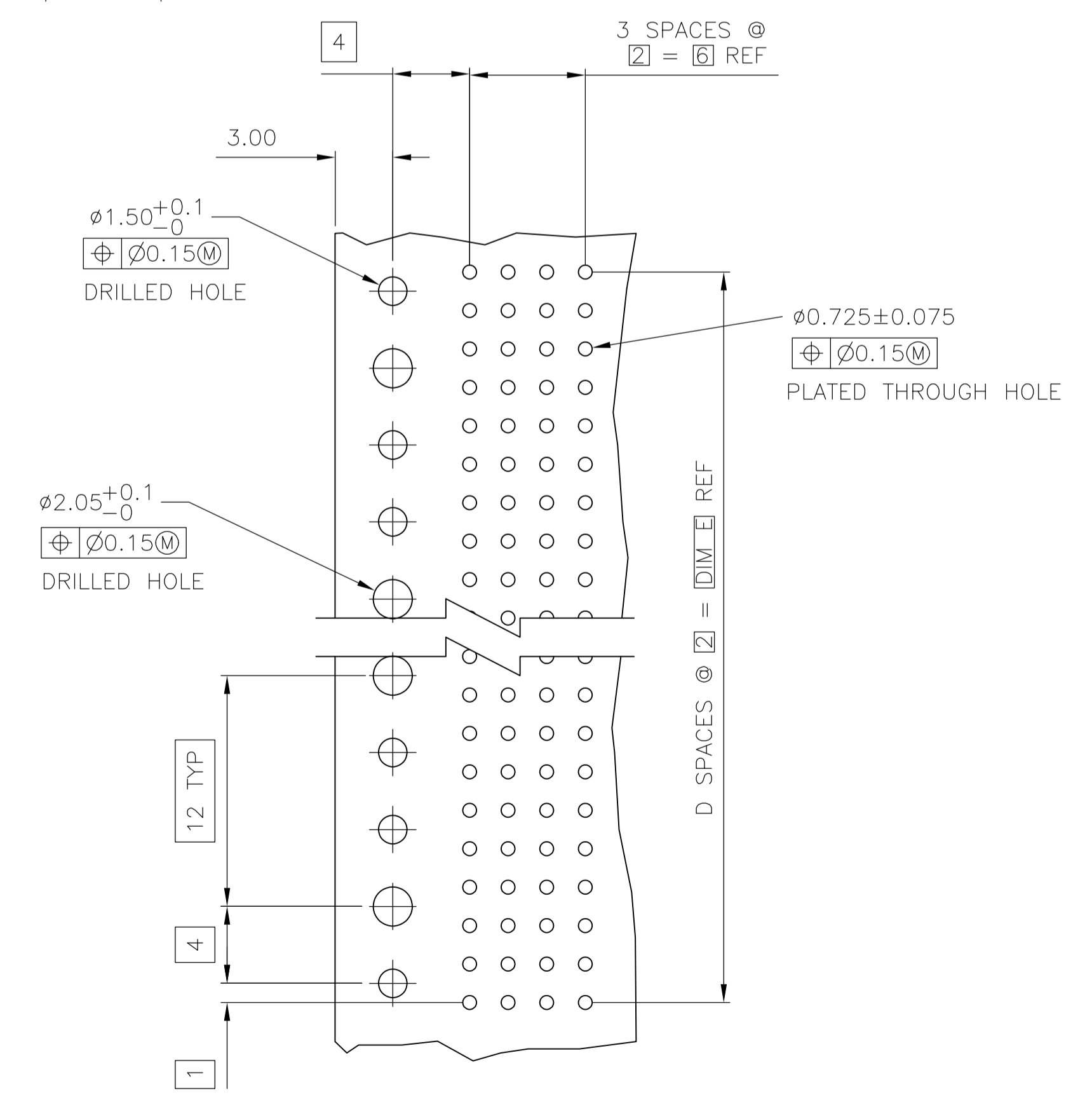
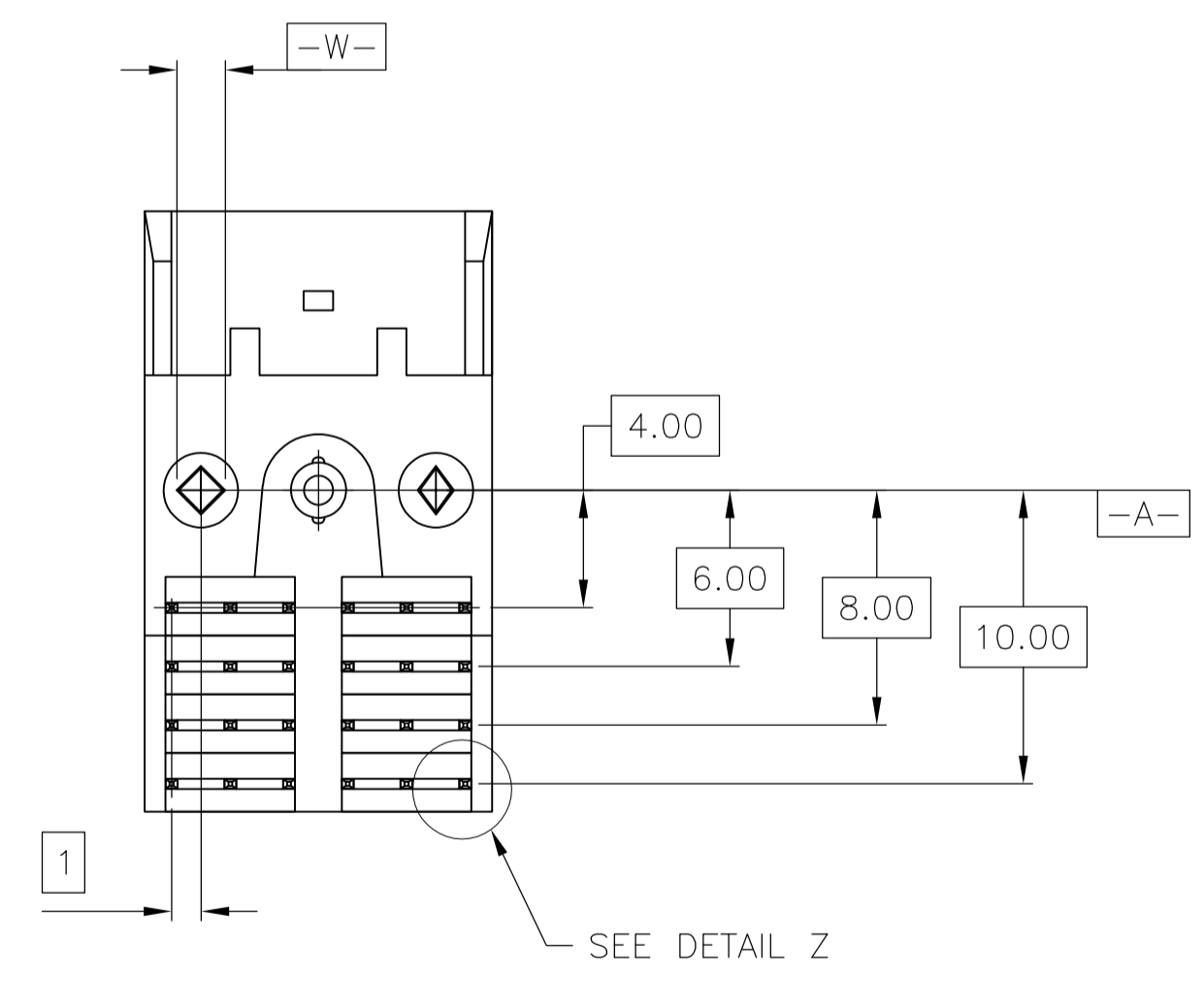
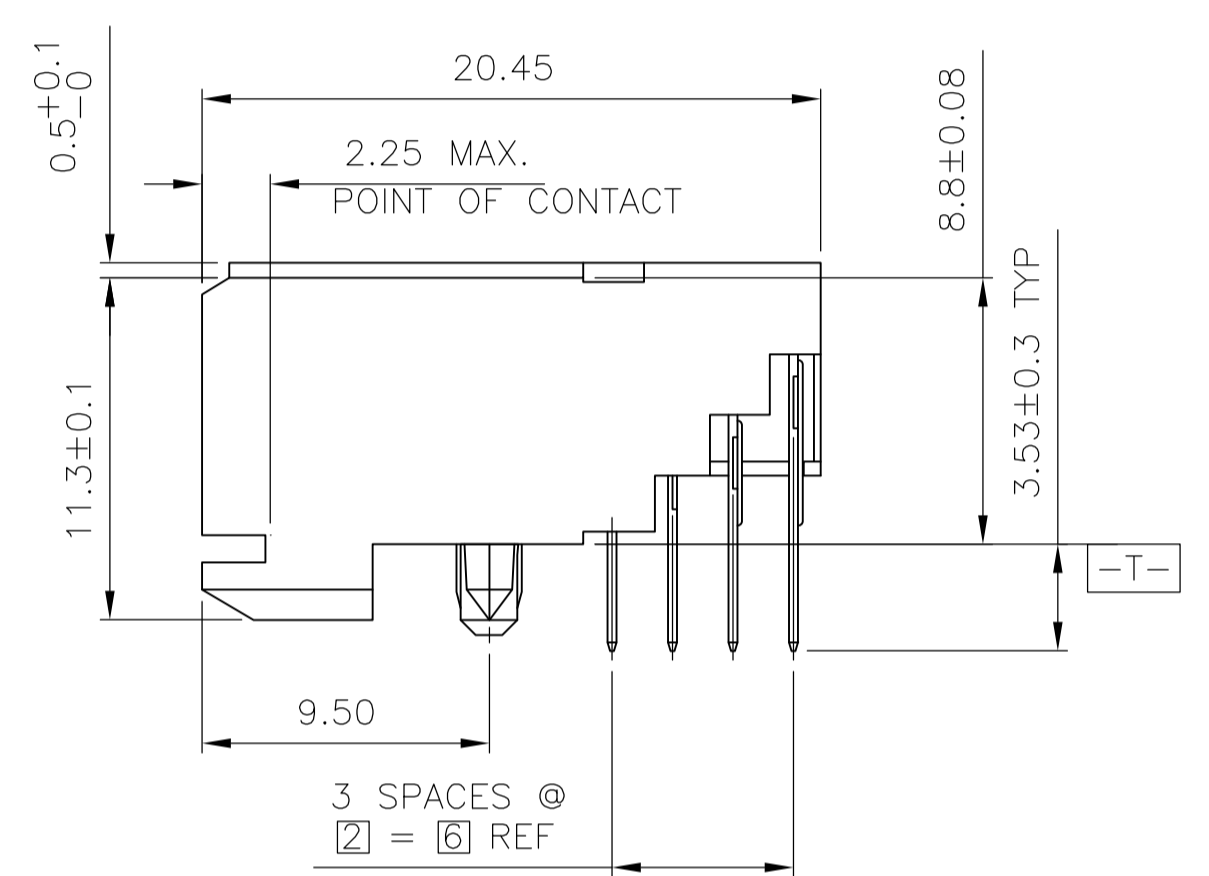
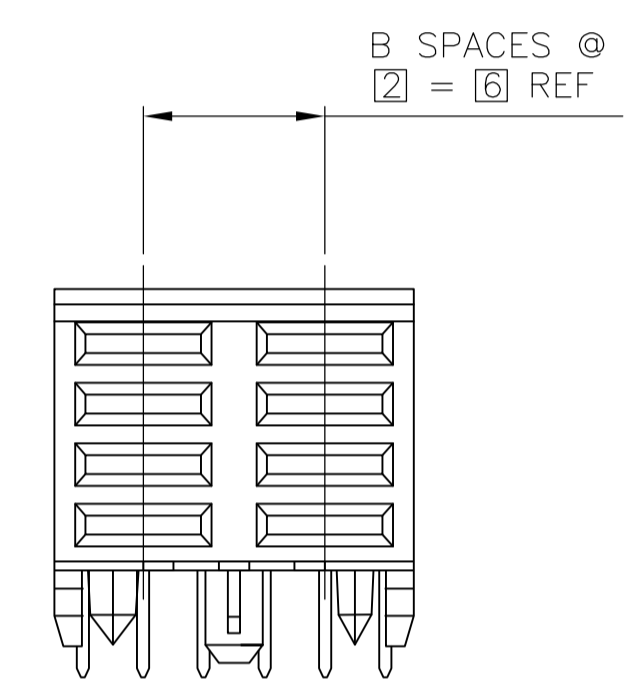
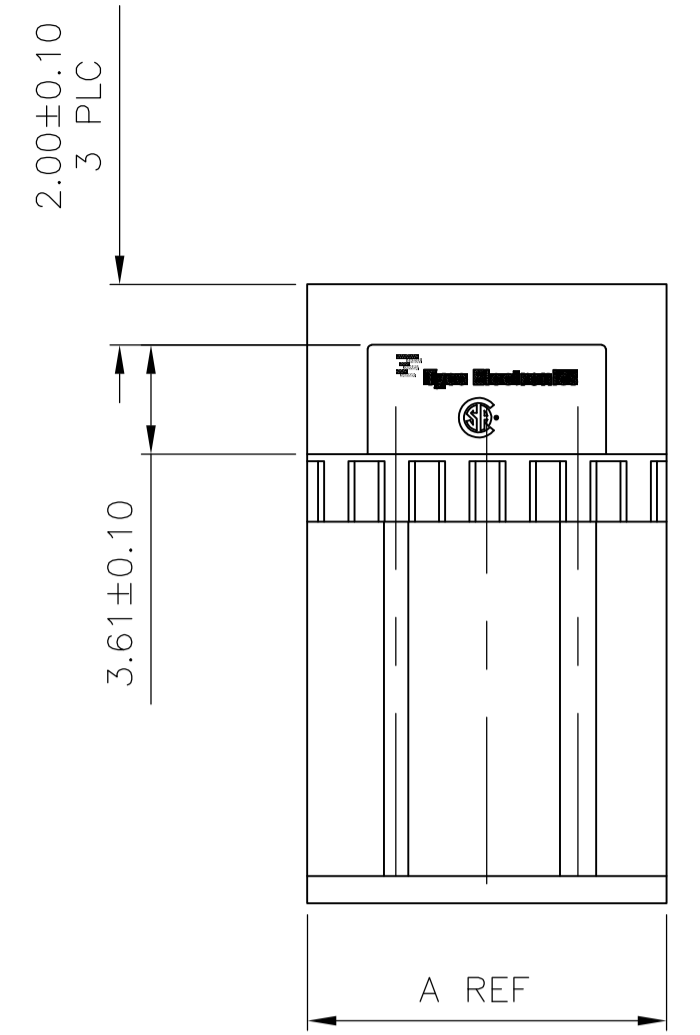
Tel: +86-755-8981 8866 Fax: +86-755-8427 6832

Email & Skype: info@chipsmall.com Web: www.chipsmall.com

Address: A1208, Overseas Decoration Building, #122 Zhenhua RD., Futian, Shenzhen, China



LOC		DIST		REVISIONS			
P	LTR	DESCRIPTION	DATE	DMN	APVD		
A3		REVISED PER ECO-11-004835	11MAR11	RK	HMR		



- 1 HOUSING MATERIAL: LIQUID CRYSTAL POLYMER.
- 2 CONTACT MATERIAL: PHOSPHOR-BRONZE.
- 3 CONTACT FINISH:(D)
 UNDERPLATE (ENTIRE CONTACT):
 0.00127 MIN NICKEL PER SAE-AMS-QQ-N-290
 ON MATING SURFACES:
 FLASH GOLD PER ASTM B 488, OVER
 0.00076 MIN PALLADIUM-NICKEL OVER UNDERPLATE, OR
 0.00076 MIN GOLD PER ASTM B 488 OVER UNDERPLATE.
 ON LEADS:
 0.00381 MIN MATTE TIN PER ASTM B 545 OVER UNDERPLATE.
 LUBRICATION (MIN MATING SURFACES):
 SURFACE CONDITIONER AFTER PLATING.

RECOMMENDED CIRCUIT PATTERN
 PER IPC-D300 TYPE II, CLASS C
 (COMPONENT SIDE)

10	5	6	1	11.88	3	8	5536613-1
E	D	C	B	A	FINISH	NO OF POSN	PART NUMBER
THIS DRAWING IS A CONTROLLED DOCUMENT.				DIN D.R.BENDER 09/17/92		STE TE Connectivity	
DIMENSIONS: mm				CHK S.HEADER 01/25/93		NAME	
TOLERANCES UNLESS OTHERWISE SPECIFIED:				APVD		PRODUCT SPEC	
0 PLC ± -				-		Z-PACK 2mm FB, POWER MODULE, RCPT. ASSY.	
1 PLC ± -				-		4 ROW, 3.53 mm LEAD LENGTH	
2 PLC ± 0.13				-		APPLICATION SPEC	
3 PLC ± -				-		SIZE	
4 PLC ± -				-		CAGE CODE	
ANGLES ± -				-		DRAWING NO	
MATERIAL 1 2 3				FINISH 3		WEIGHT	
-				-		A1 00779 5536613	
CUSTOMER DRAWING				SCALE 4:1		SHEET 1 OF 1 REV A3	