



Chipsmall Limited consists of a professional team with an average of over 10 year of expertise in the distribution of electronic components. Based in Hongkong, we have already established firm and mutual-benefit business relationships with customers from,Europe,America and south Asia,supplying obsolete and hard-to-find components to meet their specific needs.

With the principle of "Quality Parts,Customers Priority,Honest Operation,and Considerate Service",our business mainly focus on the distribution of electronic components. Line cards we deal with include Microchip,ALPS,ROHM,Xilinx,Pulse,ON,Everlight and Freescale. Main products comprise IC,Modules,Potentiometer,IC Socket,Relay,Connector.Our parts cover such applications as commercial,industrial, and automotives areas.

We are looking forward to setting up business relationship with you and hope to provide you with the best service and solution. Let us make a better world for our industry!



Contact us

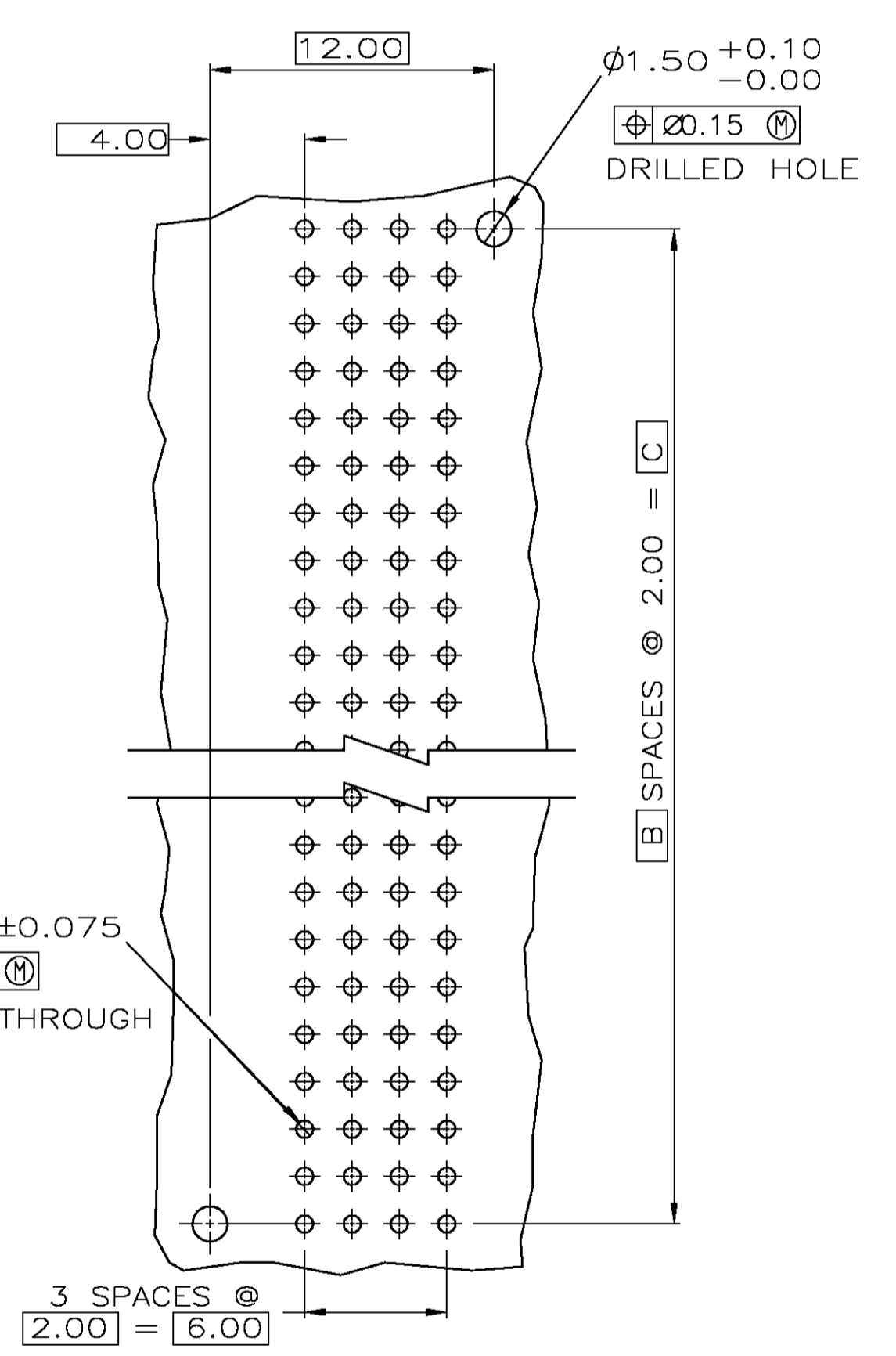
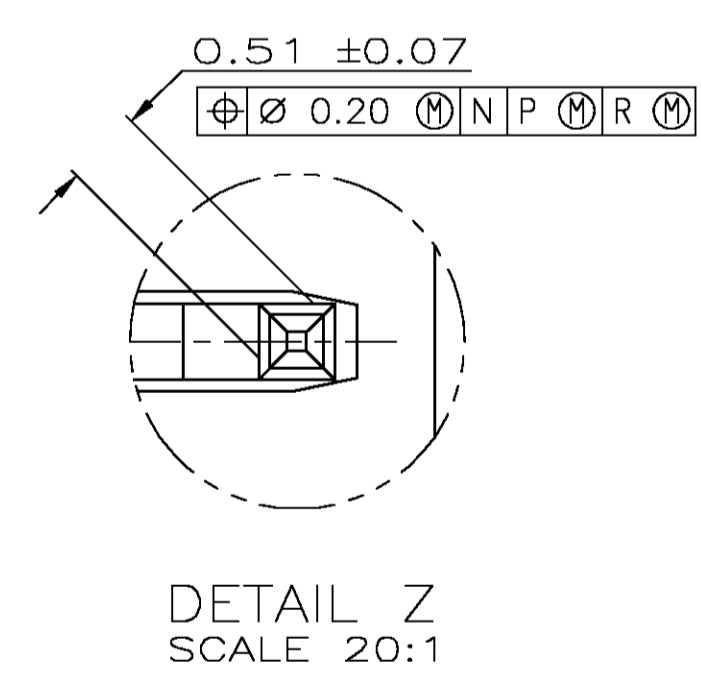
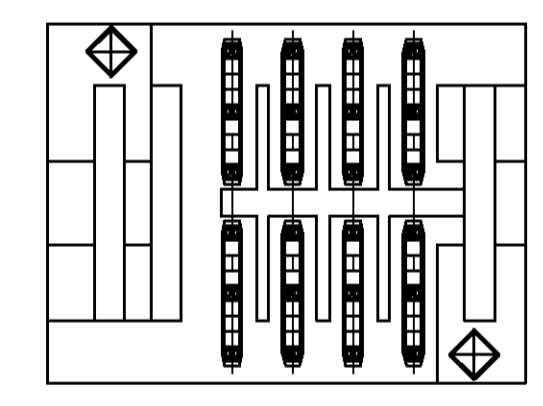
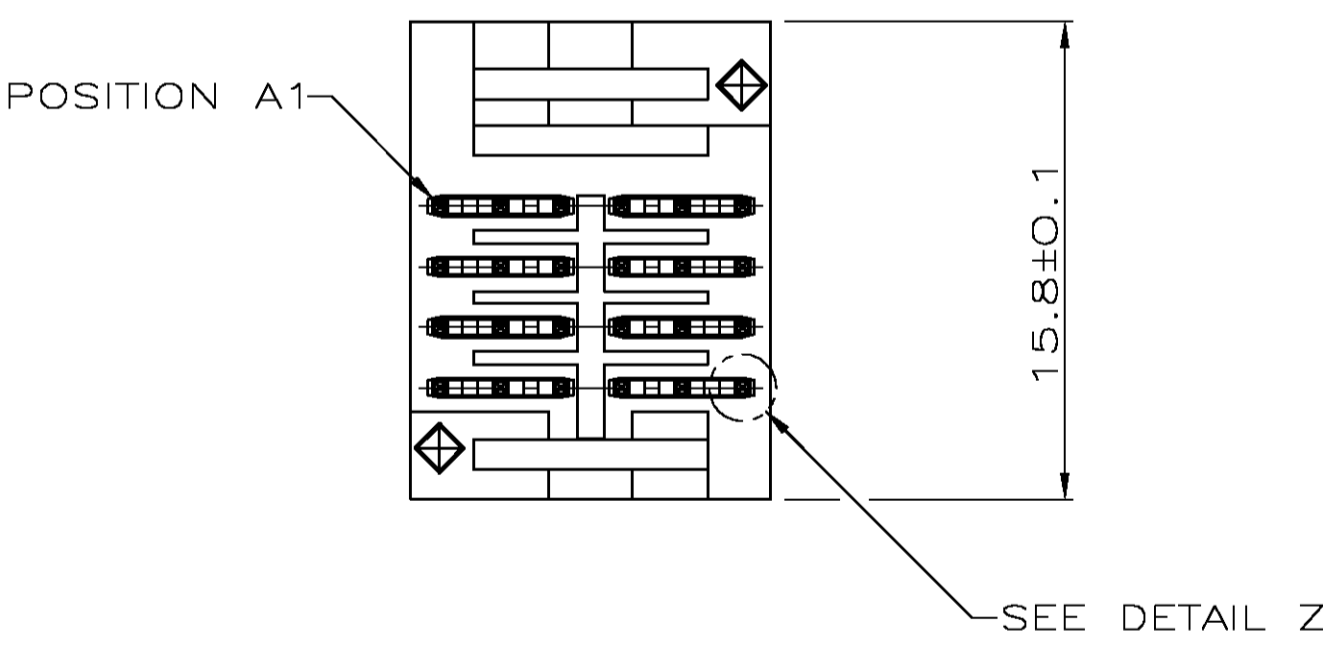
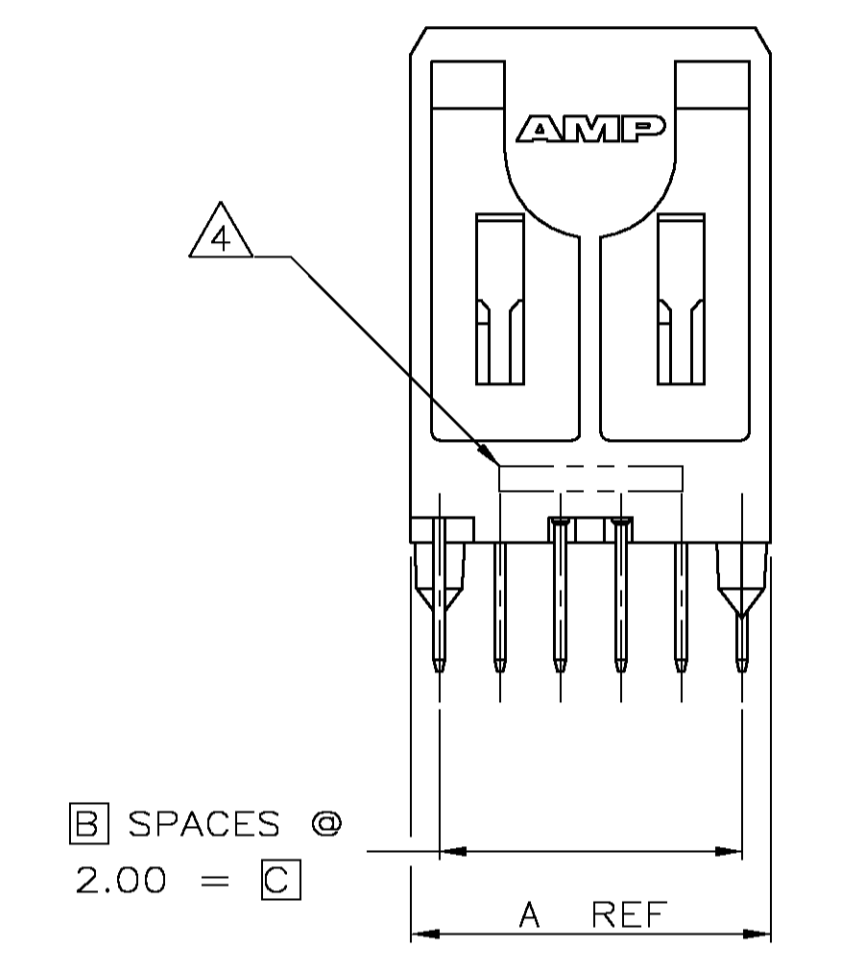
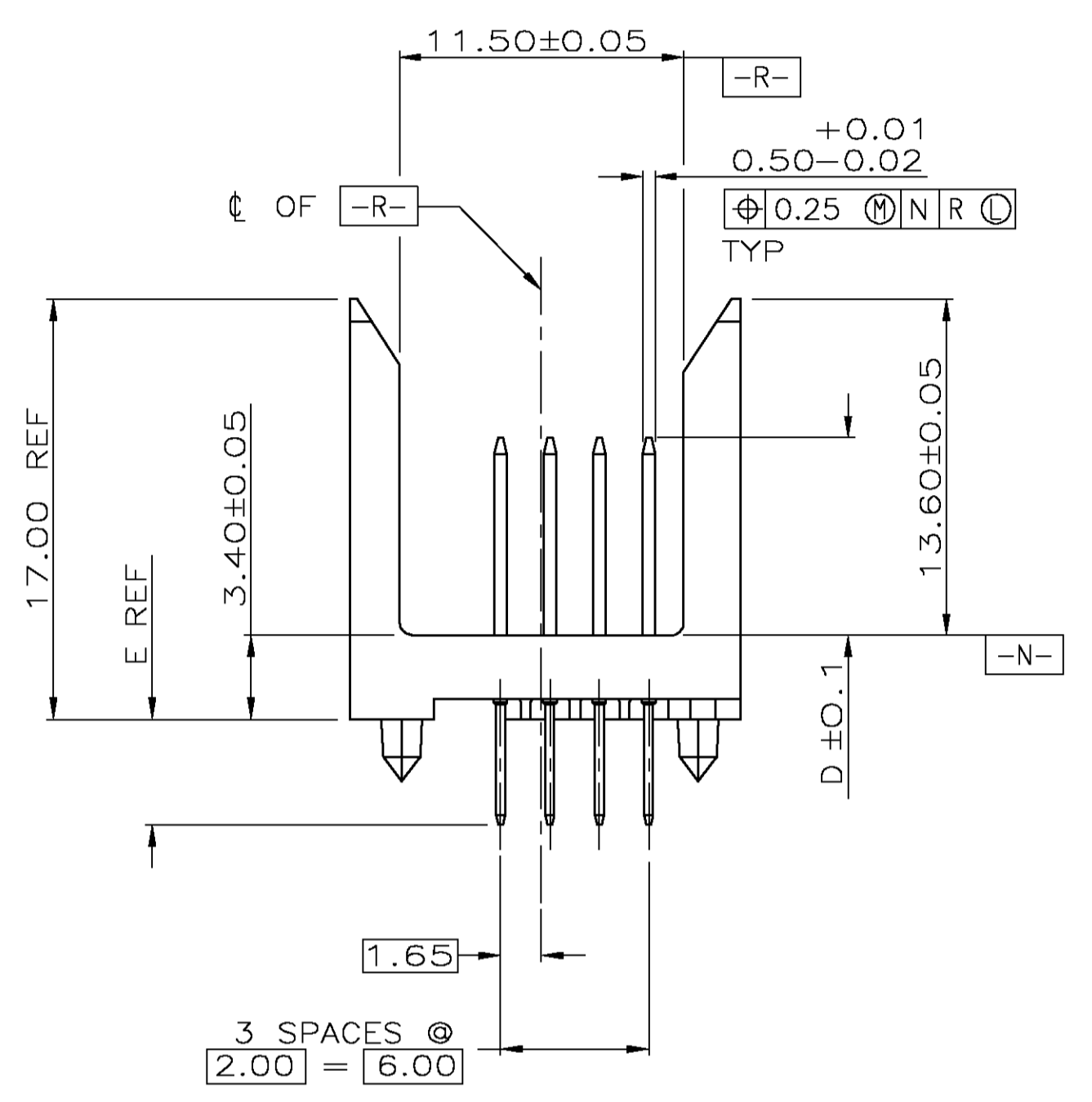
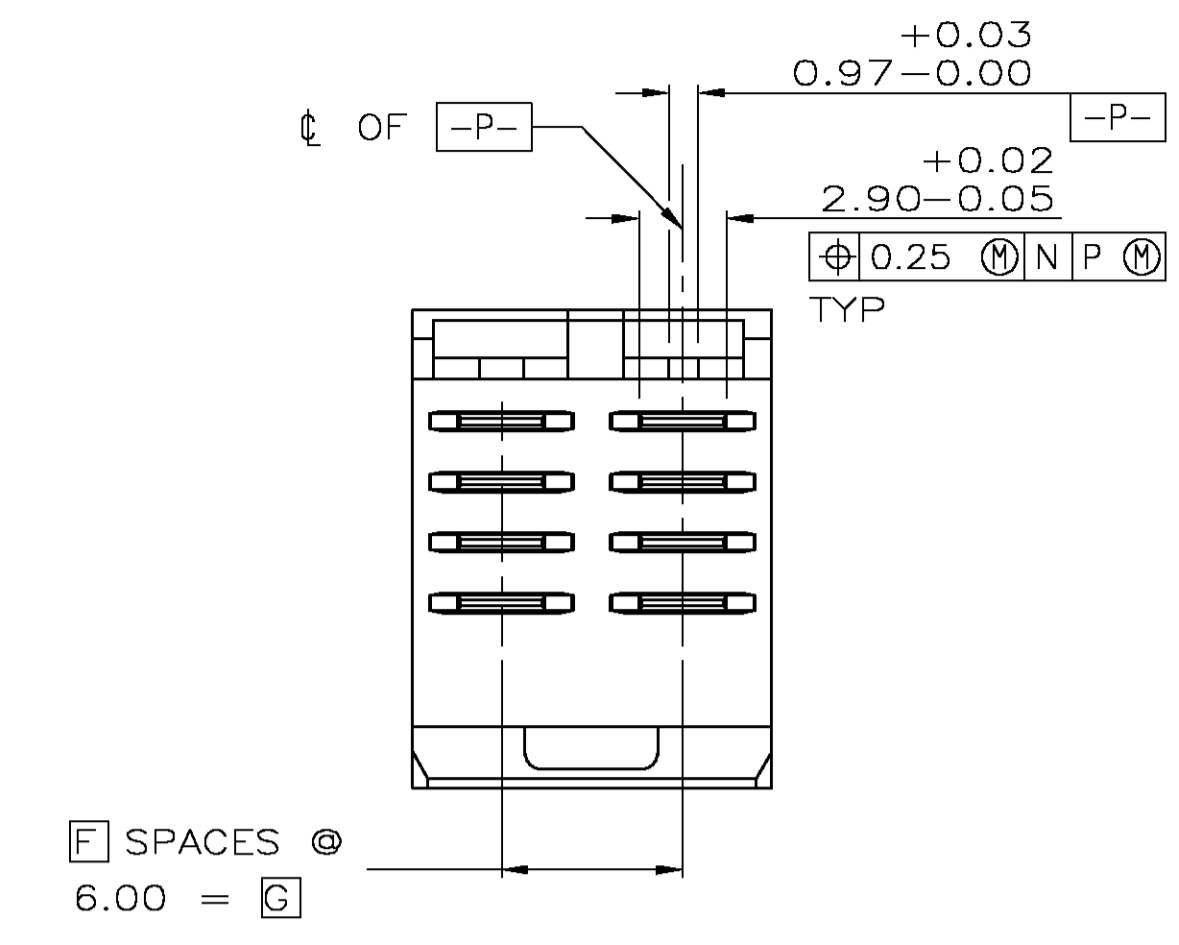
Tel: +86-755-8981 8866 Fax: +86-755-8427 6832

Email & Skype: info@chipsmall.com Web: www.chipsmall.com

Address: A1208, Overseas Decoration Building, #122 Zhenhua RD., Futian, Shenzhen, China



LOC		DIST		REVISIONS			
P	LTR	DESCRIPTION	DATE	DWN	APVD		
0		REVISE PER ECN 001B-0210-00	27NOV00	SU	DK		



RECOMMENDED CIRCUIT PATTERN
 PER IPC-D300 TYPE II, CLASS C
 (COMPONENT SIDE)

- 1 HOUSING MATERIAL: LIQUID CRYSTAL POLYMER
 COLOR: NATURAL.
- 2 CONTACT MATERIAL: PHOSPHOR BRONZE PER UNS ALLOY NO. C51100, TEMPER: H04.
- 3 CONTACT FINISH:(E)
 UNDERPLATE (ENTIRE CONTACT):
 0.00127 MIN NICKEL PER SAE-AMS-QQ-N-290
 ON MATING SURFACES:
 FLASH GOLD PER ASTM B 488, OVER
 0.00076 MIN PALLADIUM-NICKEL OVER UNDERPLATE, OR
 0.00076 MIN GOLD PER ASTM B 488 OVER UNDERPLATE.
 ON LEADS:
 0.00381 MIN MATTE TIN PER ASTM B 545 OVER UNDERPLATE.
 LUBRICATION (MIN MATING SURFACES):
 SURFACE CONDITIONER AFTER PLATING.
- 4 PART MARKING LOCATED APPROXIMATELY AS SHOWN.

6.00	1	4.25	8.00	10.00	5	11.88	3	8	5536623-1	
G	F	E	D	C	B	A	FINISH	NO OF POSN	PART NUMBER	
THIS DRAWING IS A CONTROLLED DOCUMENT.							DIN R BUCHHEISTER 16/JUN/95	Tyco Electronics Corporation		
DIMENSIONS: mm [INCHES]							CHK D.R. BAECHTLE 16/JUN/95	Harriaburg, Pa 17105-3608		
TOLERANCES UNLESS OTHERWISE SPECIFIED:							APVD D.R. BAECHTLE 16/JUN/95	NAME		
0 PLC ± -							ASSEMBLY, PIN, POWER, VERTICAL, 4 ROW, Z-PACK 2mm FB, SOLDER LEAD			
1 PLC ± -							PRODUCT SPEC			
2 PLC ± 0.13							APPLICATION SPEC			
3 PLC ± -							SIZE			
4 PLC ± -							CAGE CODE			
ANGLES ± -							DRAWING NO			
MATERIAL							WEIGHT			
FINISH							A1 00779 C=5536623			
1							CUSTOMER DRAWING			
2							SCALE 4:1			
3							SHEET 1 OF 1			
							REV 0			