



Chipsmall Limited consists of a professional team with an average of over 10 year of expertise in the distribution of electronic components. Based in Hongkong, we have already established firm and mutual-benefit business relationships with customers from,Europe,America and south Asia,supplying obsolete and hard-to-find components to meet their specific needs.

With the principle of "Quality Parts,Customers Priority,Honest Operation,and Considerate Service",our business mainly focus on the distribution of electronic components. Line cards we deal with include Microchip,ALPS,ROHM,Xilinx,Pulse,ON,Everlight and Freescale. Main products comprise IC,Modules,Potentiometer,IC Socket,Relay,Connector.Our parts cover such applications as commercial,industrial, and automotives areas.

We are looking forward to setting up business relationship with you and hope to provide you with the best service and solution. Let us make a better world for our industry!



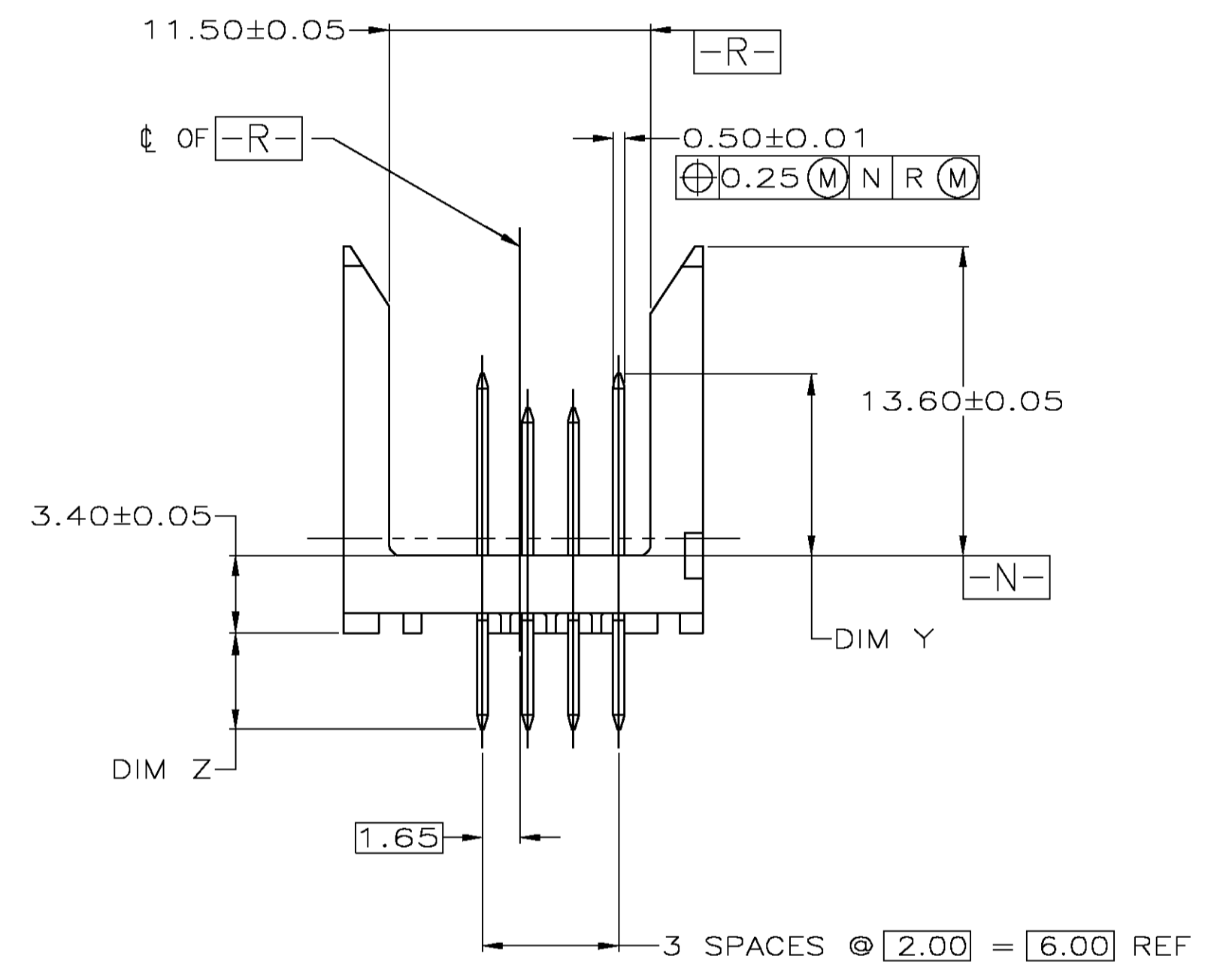
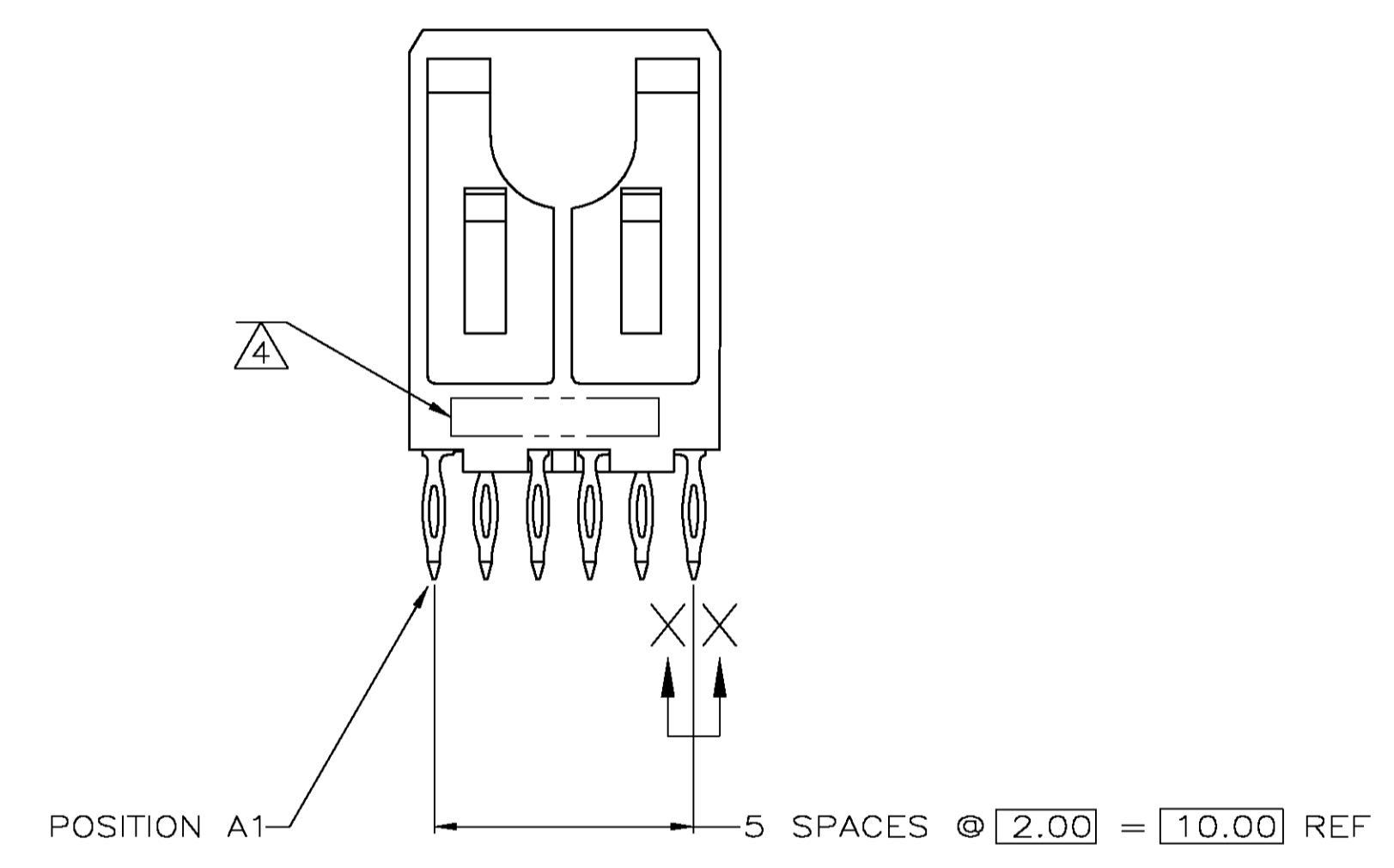
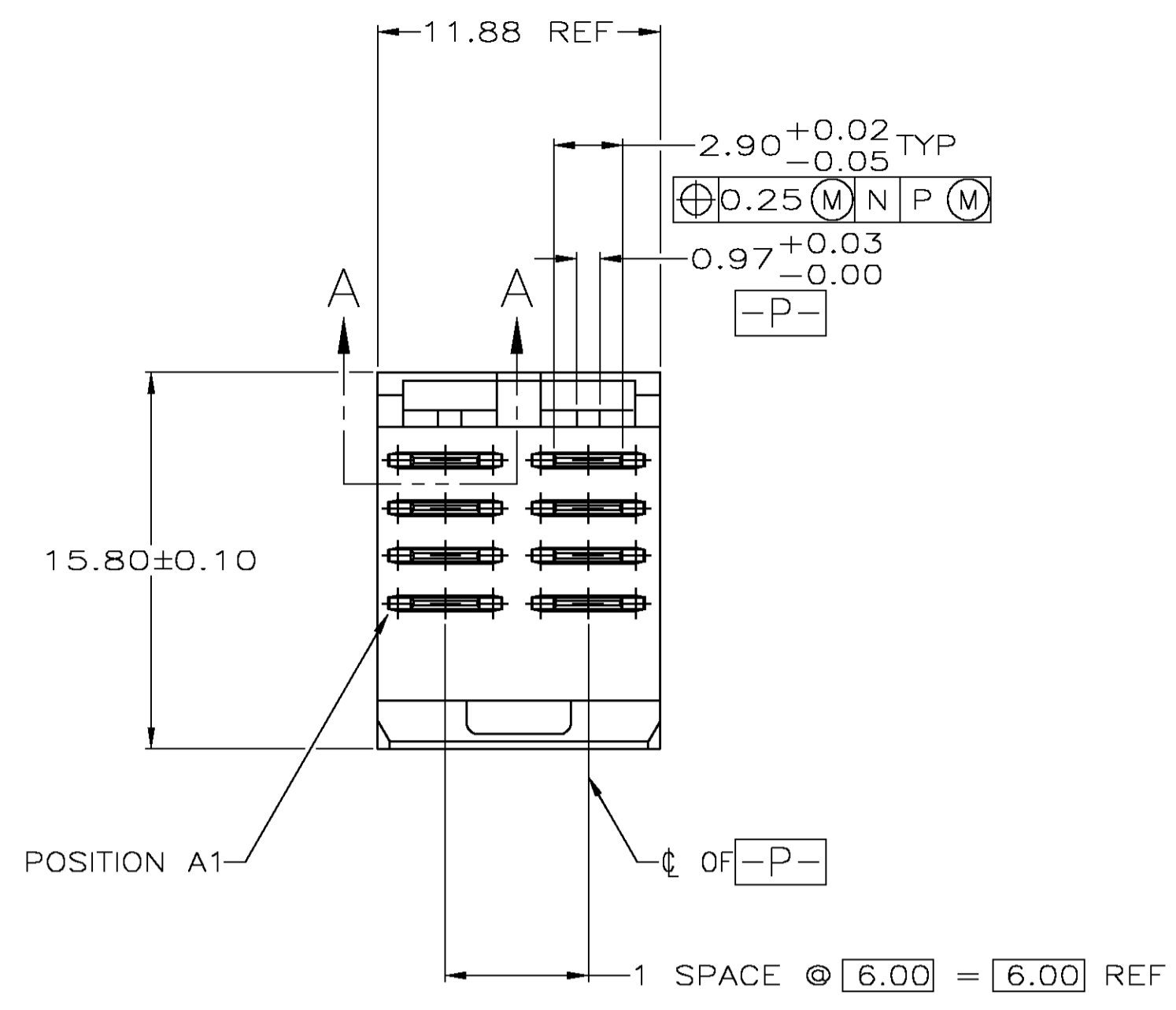
Contact us

Tel: +86-755-8981 8866 Fax: +86-755-8427 6832

Email & Skype: info@chipsmall.com Web: www.chipsmall.com

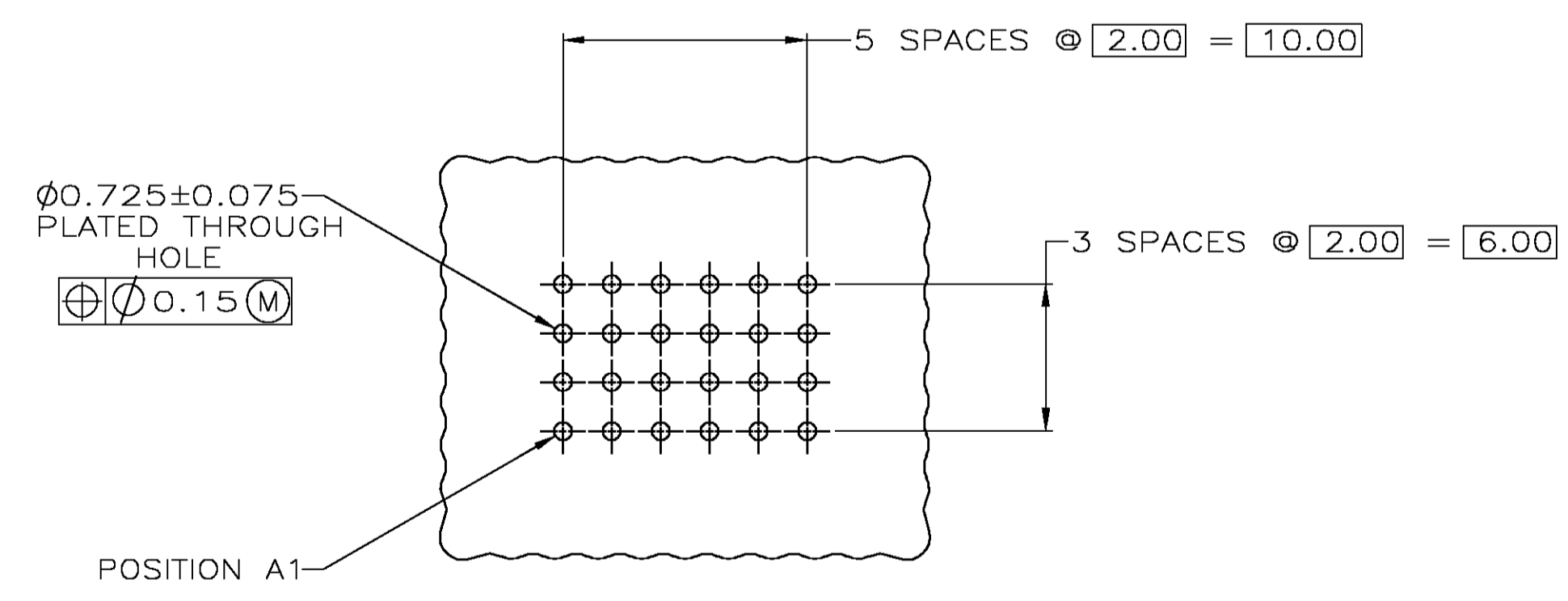
Address: A1208, Overseas Decoration Building, #122 Zhenhua RD., Futian, Shenzhen, China



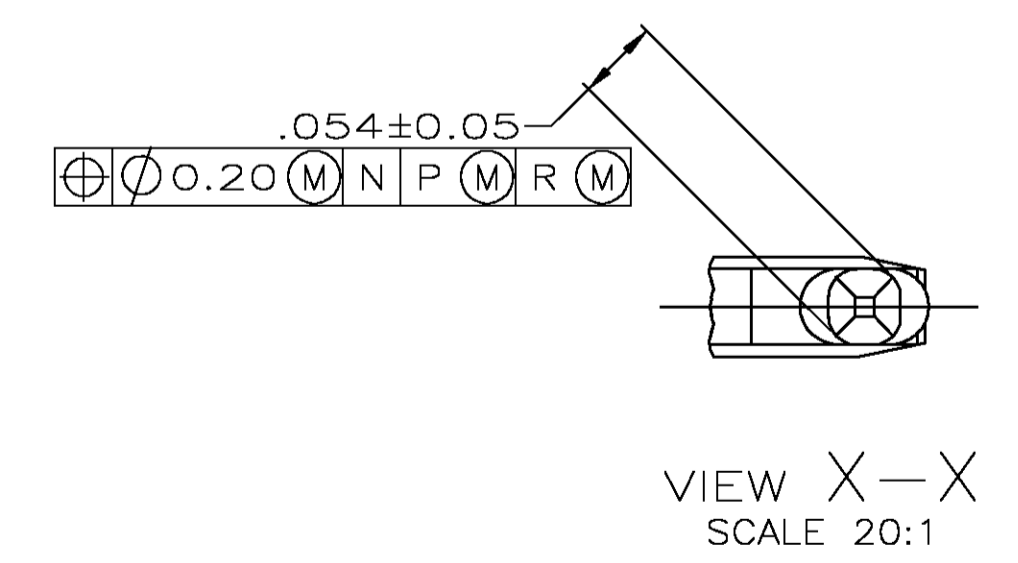
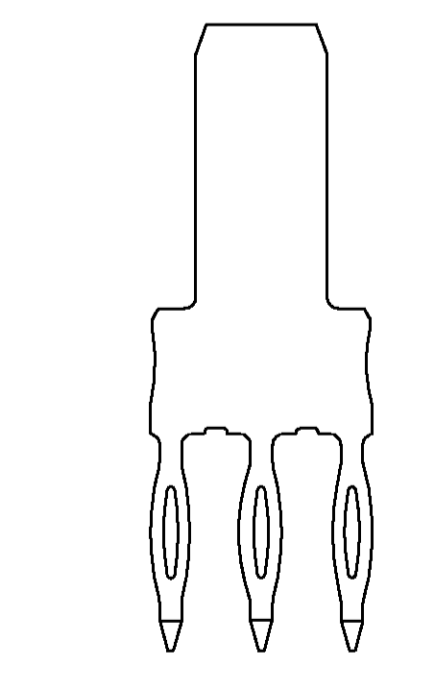


△ HOUSING MATERIAL: LIQUID CRYSTAL POLYMER.
 COLOR: NATURAL.
 △ CONTACT MATERIAL: PHOSPHOR BRONZE.
 △ CONTACT FINISH:(D)
 UNDERPLATE (ENTIRE CONTACT):
 0.00127 MIN NICKEL PER SAE-AMS-QQ-N-290
 ON MATING SURFACES:
 FLASH GOLD PER ASTM B 488, OVER
 0.00076 MIN PALLADIUM-NICKEL OVER UNDERPLATE, OR
 0.00076 MIN GOLD PER ASTM B 488 OVER UNDERPLATE.
 ON LEADS:
 0.00127 MIN MATTE TIN PER ASTM B 545 OVER UNDERPLATE.
 LUBRICATION (MIN MATING SURFACES):
 SURFACE CONDITIONER AFTER PLATING.
 △ PART MARKING LOCATED APPROXIMATELY AS SHOWN.

5536699-1 AS SHOWN



RECOMMENDED CIRCUIT PATTERN
 PER IPC-D300 TYPE II, CLASS C
 (COMPONENT SIDE)



PART NUMBER 536699-1

D	AC		AC	D			
C	AC		AC	C			
B	AA		AA	B			
A	AA		AA	A			
ROW	1	2	3	4	5	6	ROW
POSITION							
CONTACT LOAD CHART							

-	NO CONTACT	NO CONTACT
AC	8.00	4.25
AA	6.50	4.25
LETTER CODE	DIM Y	DIM Z

PART NUMBER 5536699-2

D	AC		-	D			
C	AC		-	C			
B	AA		-	B			
A	AA		-	A			
ROW	1	2	3	4	5	6	ROW
POSITION							
CONTACT LOAD CHART							

PART NUMBER 5536699-3

D	AC		AA	D			
C	AC		AA	C			
B	AC		AA	B			
A	AC		AA	A			
ROW	1	2	3	4	5	6	ROW
POSITION							
CONTACT LOAD CHART							

△	5536699-3
△	5536699-2
△	5536699-1
FINISH	PART NUMBER

THIS DRAWING IS A CONTROLLED DOCUMENT.

DIMENSIONS: mm	TOLERANCES UNLESS OTHERWISE SPECIFIED:	DWN CHAD BAKER 10-07-98	10-07-98	Tyco Electronics Corporation Harrisburg, Pa 17105-3508
0 PLC ± - 1 PLC ± - 2 PLC ± 0.13 3 PLC ± - 4 PLC ± - ANGLES ± -	MATERIAL △ FINISH △	CHK CHAD BAKER 10-07-98 APVD D KOVALICK 10-10-98 NAME APPLICATION SPEC WEIGHT CUSTOMER DRAWING	SIZE A1 CAGE CODE 00779 DRAWING NO 5536699 SCALE 4:1	