



Chipsmall Limited consists of a professional team with an average of over 10 year of expertise in the distribution of electronic components. Based in Hongkong, we have already established firm and mutual-benefit business relationships with customers from,Europe,America and south Asia,supplying obsolete and hard-to-find components to meet their specific needs.

With the principle of “Quality Parts,Customers Priority,Honest Operation,and Considerate Service”,our business mainly focus on the distribution of electronic components. Line cards we deal with include Microchip,ALPS,ROHM,Xilinx,Pulse,ON,Everlight and Freescale. Main products comprise IC,Modules,Potentiometer,IC Socket,Relay,Connector.Our parts cover such applications as commercial,industrial, and automotives areas.

We are looking forward to setting up business relationship with you and hope to provide you with the best service and solution. Let us make a better world for our industry!



Contact us

Tel: +86-755-8981 8866 Fax: +86-755-8427 6832

Email & Skype: info@chipsmall.com Web: www.chipsmall.com

Address: A1208, Overseas Decoration Building, #122 Zhenhua RD., Futian, Shenzhen, China



4

3

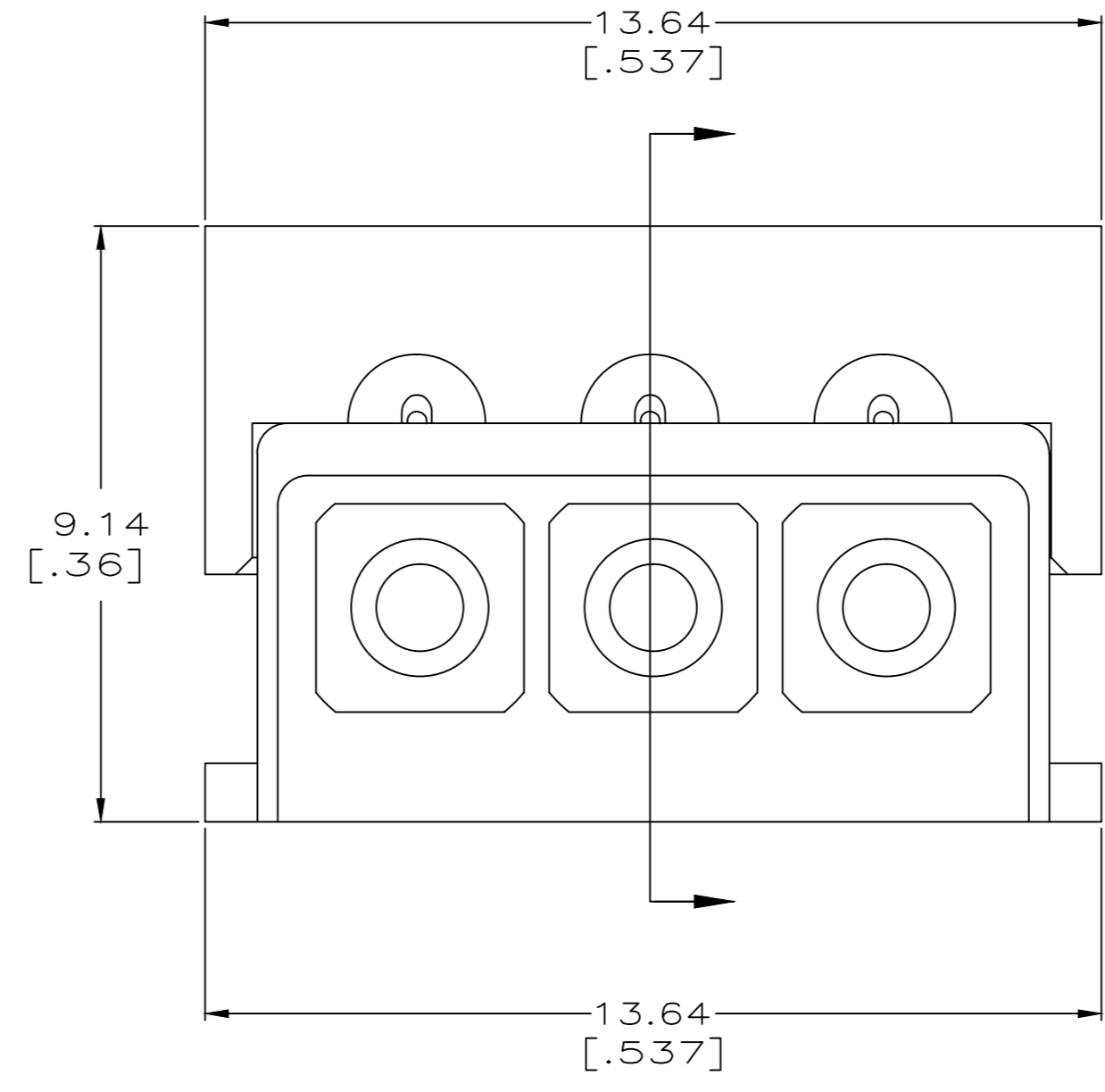
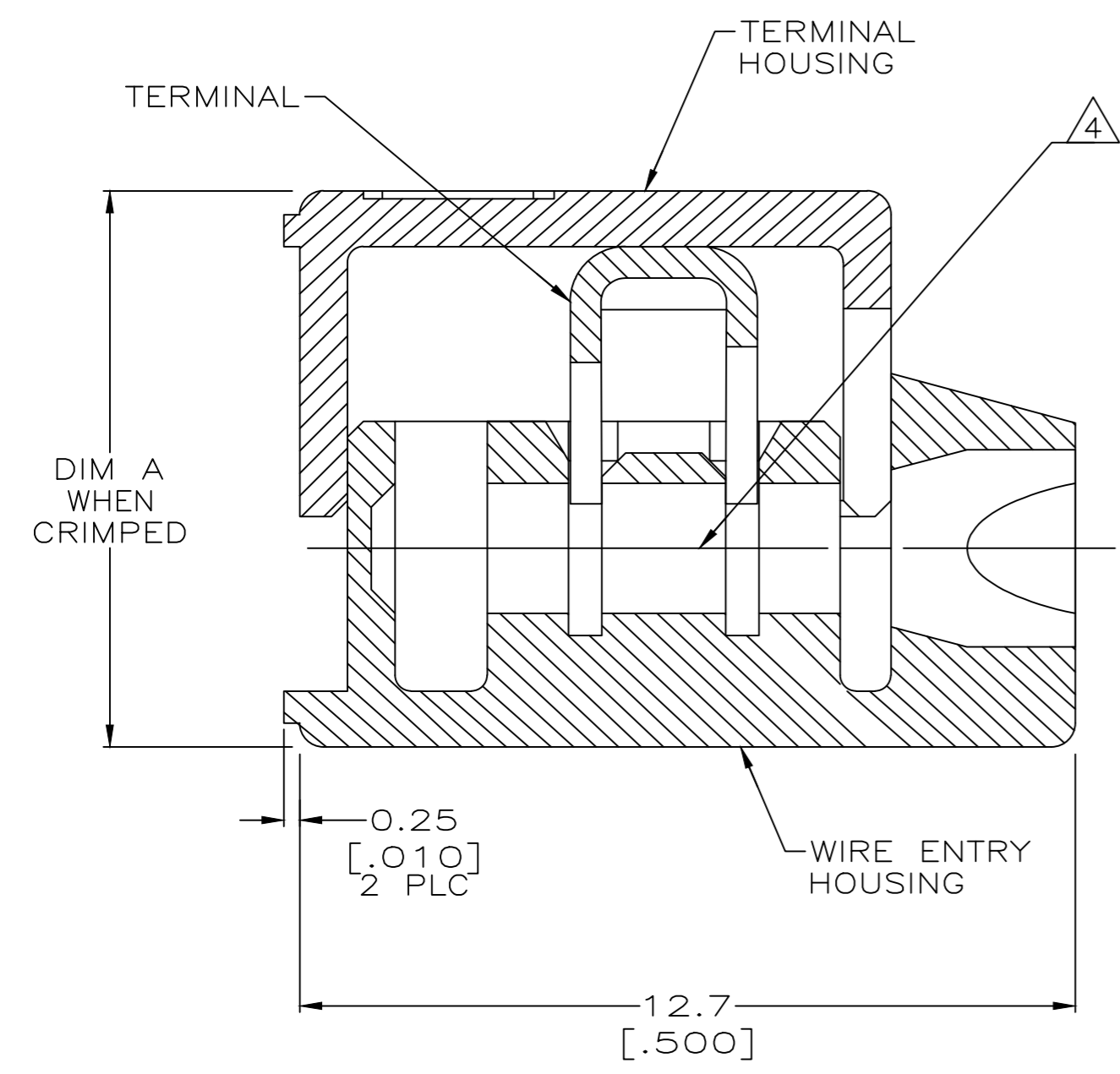
2

1

THIS DRAWING IS UNPUBLISHED. RELEASED FOR PUBLICATION
 © COPYRIGHT BY TYCO ELECTRONICS CORPORATION. ALL RIGHTS RESERVED.

LOC	DIST	REVISIONS					
HM	00	P	LTR	DESCRIPTION	DATE	DWN	APVD
		P		REV; MCO--40023340MCO	09OCT2015	HG	JD

- ⚠ ALL DIMENSIONS SHOWN ARE MAXIMUM UNLESS OTHERWISE SPECIFIED.
- ⚠ MATERIAL:
HOUSINGS - POLYCARBONATE, FLAME RETARDANT, CLEAR.
TERMINALS - TIN PLATED PHOS BRONZE.
- 3. WIRE RANGE: 19-26 AWG SOLID COPPER CONDUCTORS.
- ⚠ TEL SPLICE ASSEMBLIES 553759-3 INCLUDES SEALANT.



6.65 [.262]	24-26
7.01 [.276]	19-22
DIM A	WIRE AWG

PACKAGED	DESCRIPTION	PART NO.
1000/BOX	FILLED	553759-4
1000/BAG	FILLED	553759-3
OBSOLETE	BULK	UNFILLED 553759-2
OBSOLETE	100/BOX	UNFILLED 1-553759-1

THIS DRAWING IS A CONTROLLED DOCUMENT.

DWN T. SPRINKLE 07NOV97	Tyco Electronics Corporation Harrisburg, Pa 17105-3608		
CHK T. SPRINKLE 07NOV97			
APVD G. THRUSH 07NOV97			
NAME		TEL-SPLICE ASSEMBLY, 3 WIRE, FLAME RETARDANT	
PRODUCT SPEC		SIZE	CAGE CODE
APPLICATION SPEC		114-6010	00779
WEIGHT		DRAWING NO C-553759	
MATERIAL		RESTRICTED TO	
CUSTOMER DRAWING		SCALE	SHEET
		10:1	1 OF 1
			REV P

553759

B

A