



Chipsmall Limited consists of a professional team with an average of over 10 year of expertise in the distribution of electronic components. Based in Hongkong, we have already established firm and mutual-benefit business relationships with customers from,Europe,America and south Asia,supplying obsolete and hard-to-find components to meet their specific needs.

With the principle of "Quality Parts,Customers Priority,Honest Operation,and Considerate Service",our business mainly focus on the distribution of electronic components. Line cards we deal with include Microchip,ALPS,ROHM,Xilinx,Pulse,ON,Everlight and Freescale. Main products comprise IC,Modules,Potentiometer,IC Socket,Relay,Connector.Our parts cover such applications as commercial,industrial, and automotives areas.

We are looking forward to setting up business relationship with you and hope to provide you with the best service and solution. Let us make a better world for our industry!



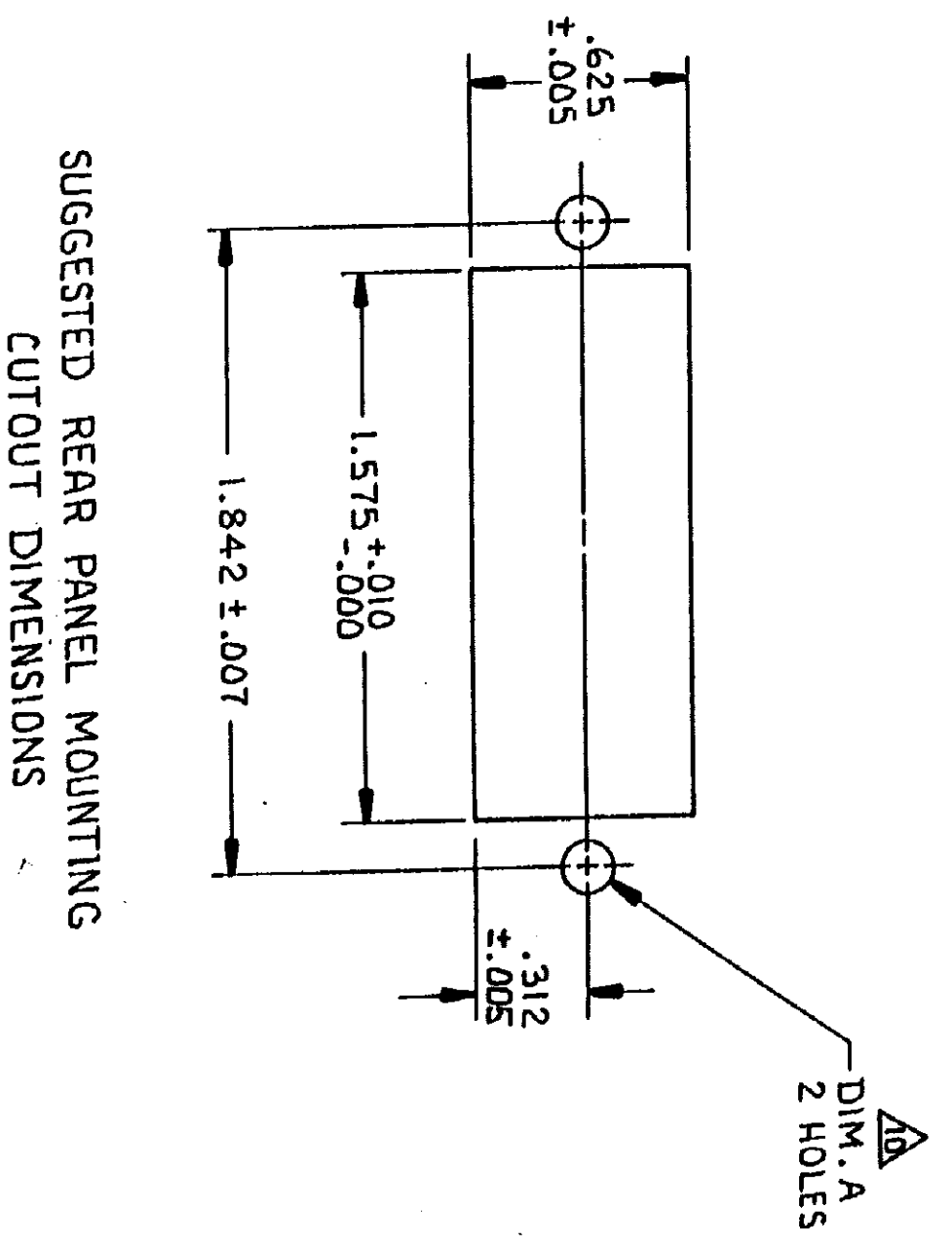
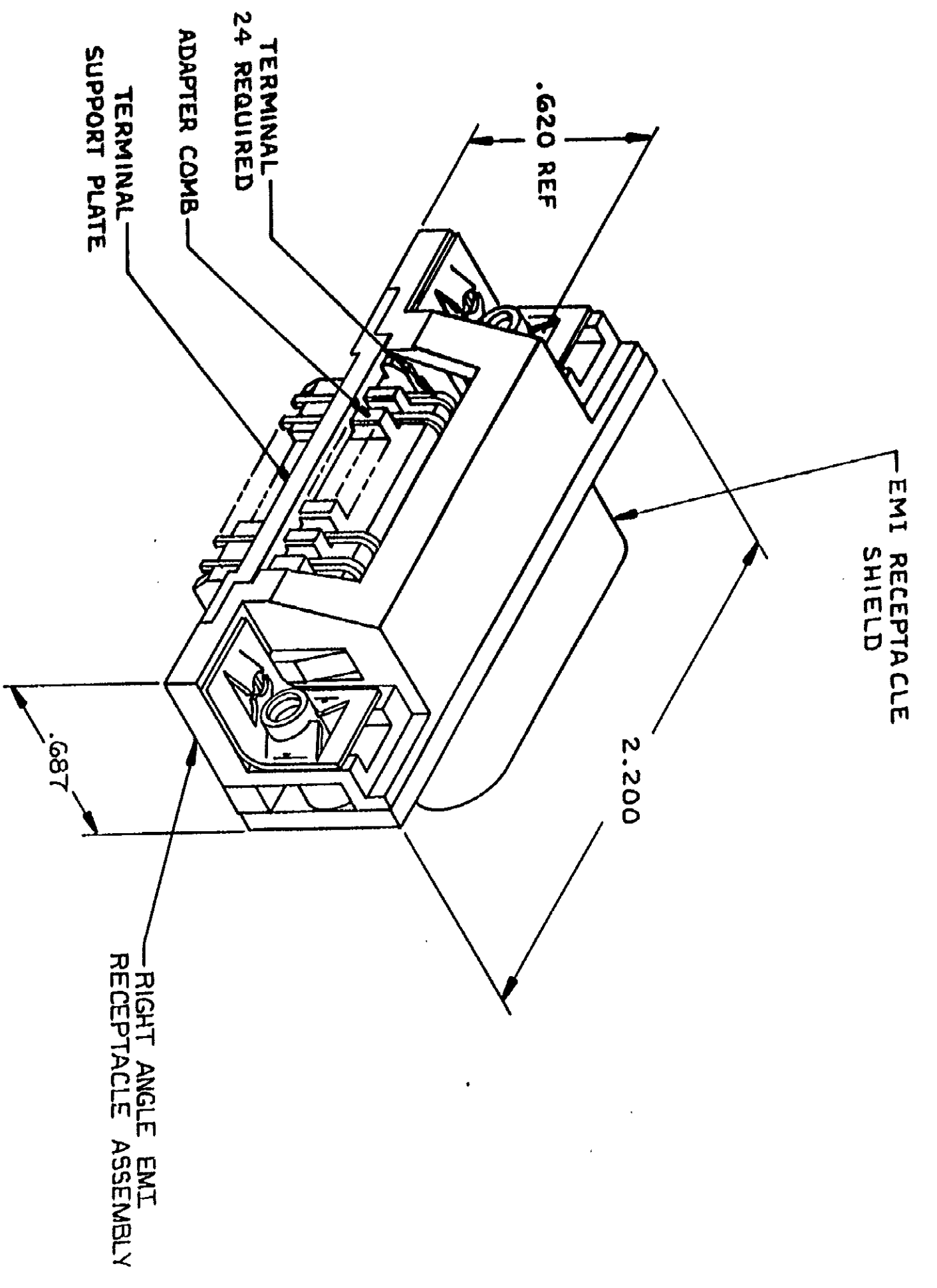
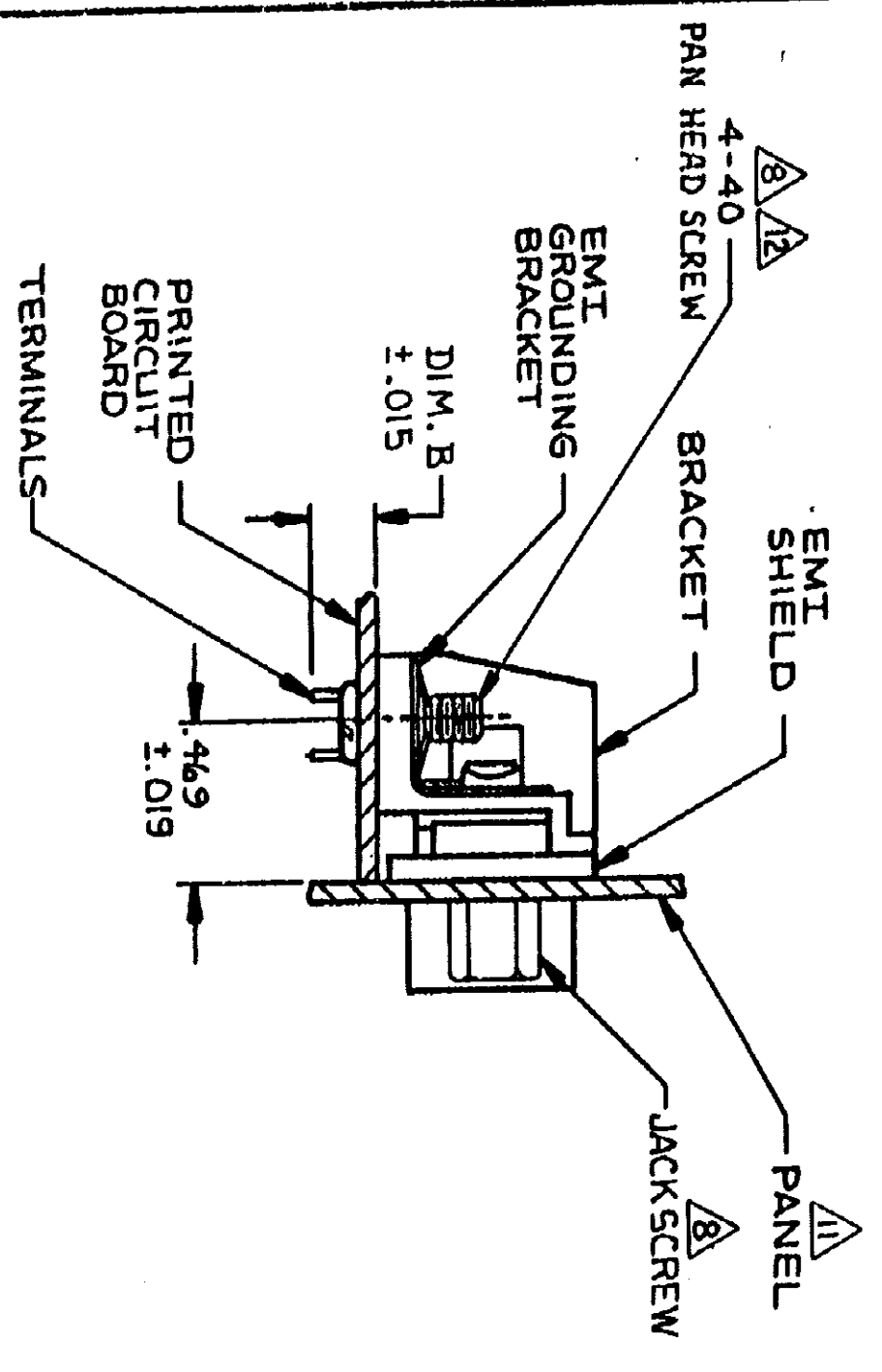
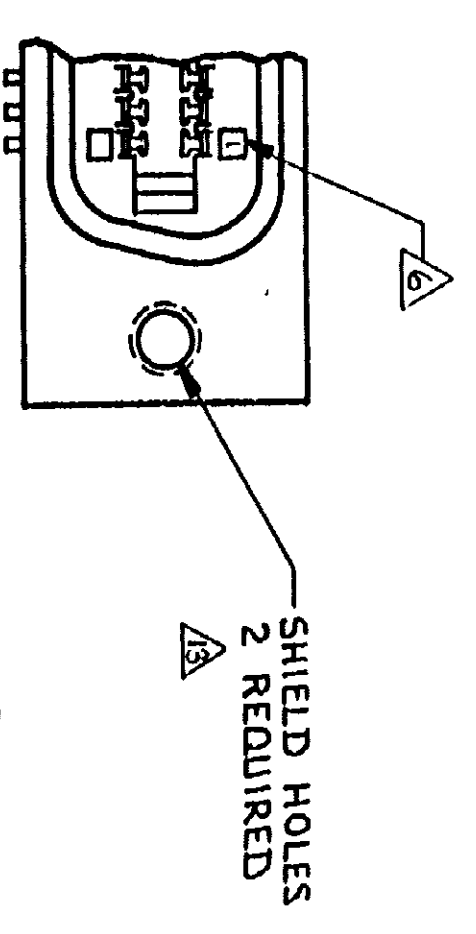
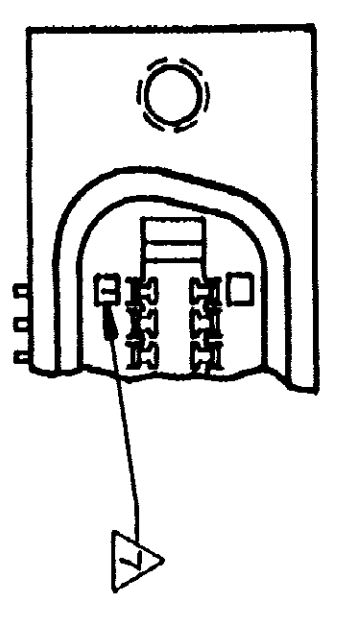
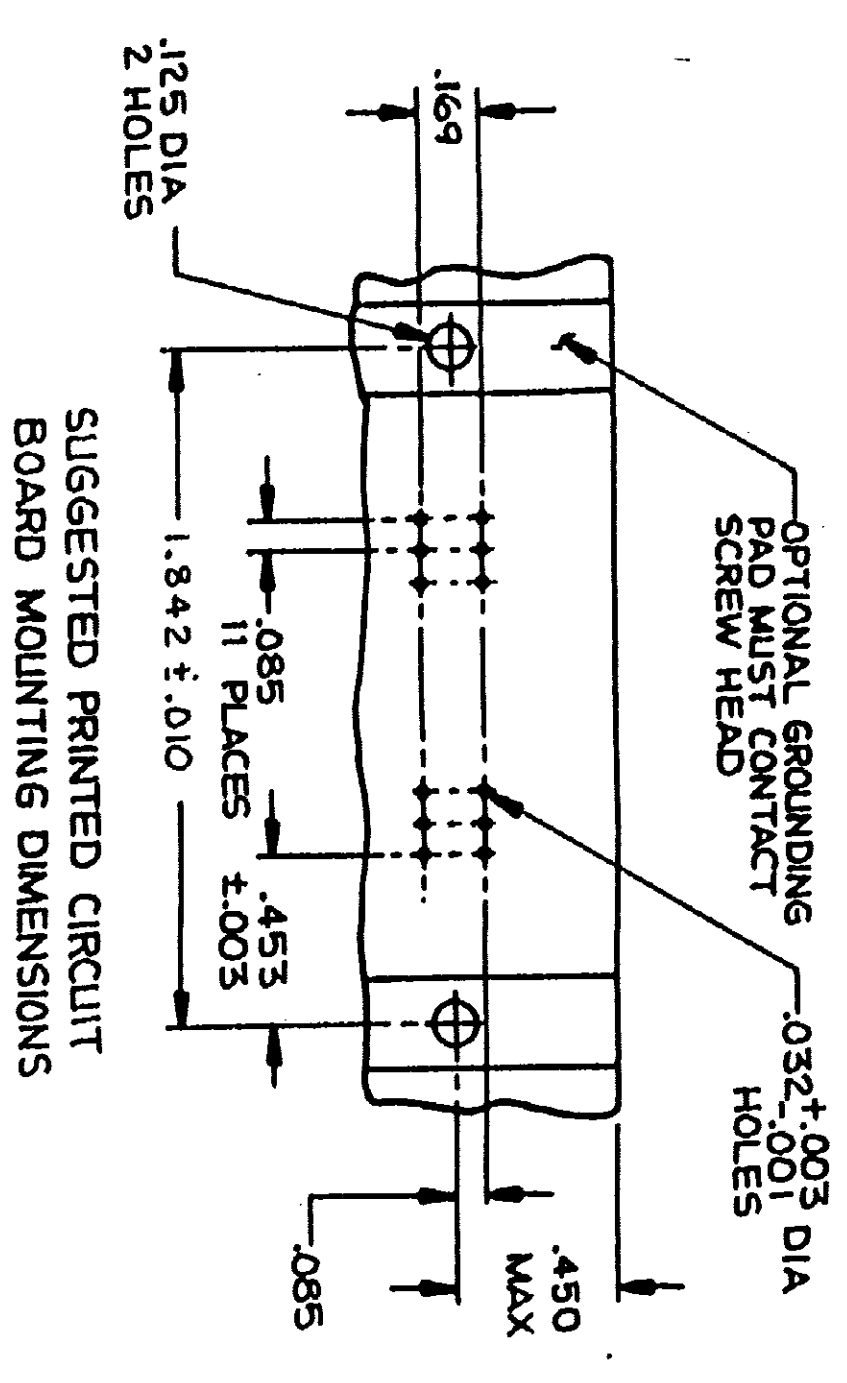
## Contact us

Tel: +86-755-8981 8866 Fax: +86-755-8427 6832

Email & Skype: info@chipsmall.com Web: www.chipsmall.com

Address: A1208, Overseas Decoration Building, #122 Zhenhua RD., Futian, Shenzhen, China





REV	DATE	APPROVED	LOC	DIST
1	11-30-82	LHS	AA	20
2	08-05-84	EDN AA-65/4		

- 1. MATERIAL: HOUSING, BRACKET, ADAPTER COMB AND TERMINAL SUPPORT PLATE - THERMOPLASTIC (BLACK); EMI SHIELD - BRIGHT NICKEL OVER COPPER PLATED DIE CASTING; TERMINALS-TAILS-TIN LEAD OVER NICKEL PLATED HIGH STRENGTH COPPER ALLOY; MATING SURFACE-LOCALIZED GOLD OVER NICKEL PLATED HIGH STRENGTH COPPER ALLOY.
- 2. THE CONTACT SURFACES OF THE TERMINALS ARE COATED WITH LUBRICANT.
- 3. CENTER-TO-CENTER SPACING OF TERMINALS IS .085.
- 4. ALL DIMENSIONS SHOWN ARE FOR REFERENCE ONLY UNLESS OTHERWISE SPECIFIED.
- 5. DETAILS A & B ARE VIEWED FROM MATING SIDE OF RECEPTACLE ASSEMBLY.
- 6. TERMINAL 1 LOCATED IN THIS ROW FOR STANDARD ORIENTATION.
- 7. TERMINAL 1 LOCATED IN THIS ROW FOR REVERSE ORIENTATION.
- 8. SCREWS SHOWN FOR REFERENCE ONLY. RECOMMENDED HARDWARE KIT, 55427Z-1, FOR USE WITH PART NUMBER 553811-3 & 4. HARDWARE KIT IS SHOWN FOR REFERENCE ONLY.
- 9. EMI SHIELD IS ASSEMBLED TO CONNECTOR BEFORE SHIPMENT.
- 10. FOR IEEE APPLICATION DIM. A SHALL BE .192 ± .003.
- 11. PANEL THICKNESS RANGE: .062 MAX.
- 12. STAINLESS STEEL SCREWS RECOMMENDED, BECAUSE OF CONTACT WITH SOLDER BATH.
- 13. HOLES TO BE TAPPED AFTER PLATING.

STANDARD	DIM. B	DIM. A	APPLICATION	CONTRACT NO.	OR	NAME
STANDARD	.126 ± .003	UNC-28	REVERSE	7-26-82	AMP	ASSEMBLY, EMI RECEPTACLE, 24 POSITION, SCREW LOCK (CHAMP, PRINTED CIRCUIT BOARD, RIGHT ANGLE, PANEL MOUNTING)
IEEE-488	.152 ± .003	UNC-28	REVERSE	7-26-82	AMP	ASSEMBLY, EMI RECEPTACLE, 24 POSITION, SCREW LOCK (CHAMP, PRINTED CIRCUIT BOARD, RIGHT ANGLE, PANEL MOUNTING)

UNLESS OTHERWISE SPECIFIED, DIMENSIONS ARE IN INCHES. TOLERANCES ± ANGLES ±

MATERIAL

FINISH

SCALE 2:1

DRAWING NO. 553811

00779

SIZE D

OTHER APPRO