



Chipsmall Limited consists of a professional team with an average of over 10 year of expertise in the distribution of electronic components. Based in Hongkong, we have already established firm and mutual-benefit business relationships with customers from,Europe,America and south Asia,supplying obsolete and hard-to-find components to meet their specific needs.

With the principle of “Quality Parts,Customers Priority,Honest Operation,and Considerate Service”,our business mainly focus on the distribution of electronic components. Line cards we deal with include Microchip,ALPS,ROHM,Xilinx,Pulse,ON,Everlight and Freescale. Main products comprise IC,Modules,Potentiometer,IC Socket,Relay,Connector.Our parts cover such applications as commercial,industrial, and automotives areas.

We are looking forward to setting up business relationship with you and hope to provide you with the best service and solution. Let us make a better world for our industry!



Contact us

Tel: +86-755-8981 8866 Fax: +86-755-8427 6832

Email & Skype: info@chipsmall.com Web: www.chipsmall.com

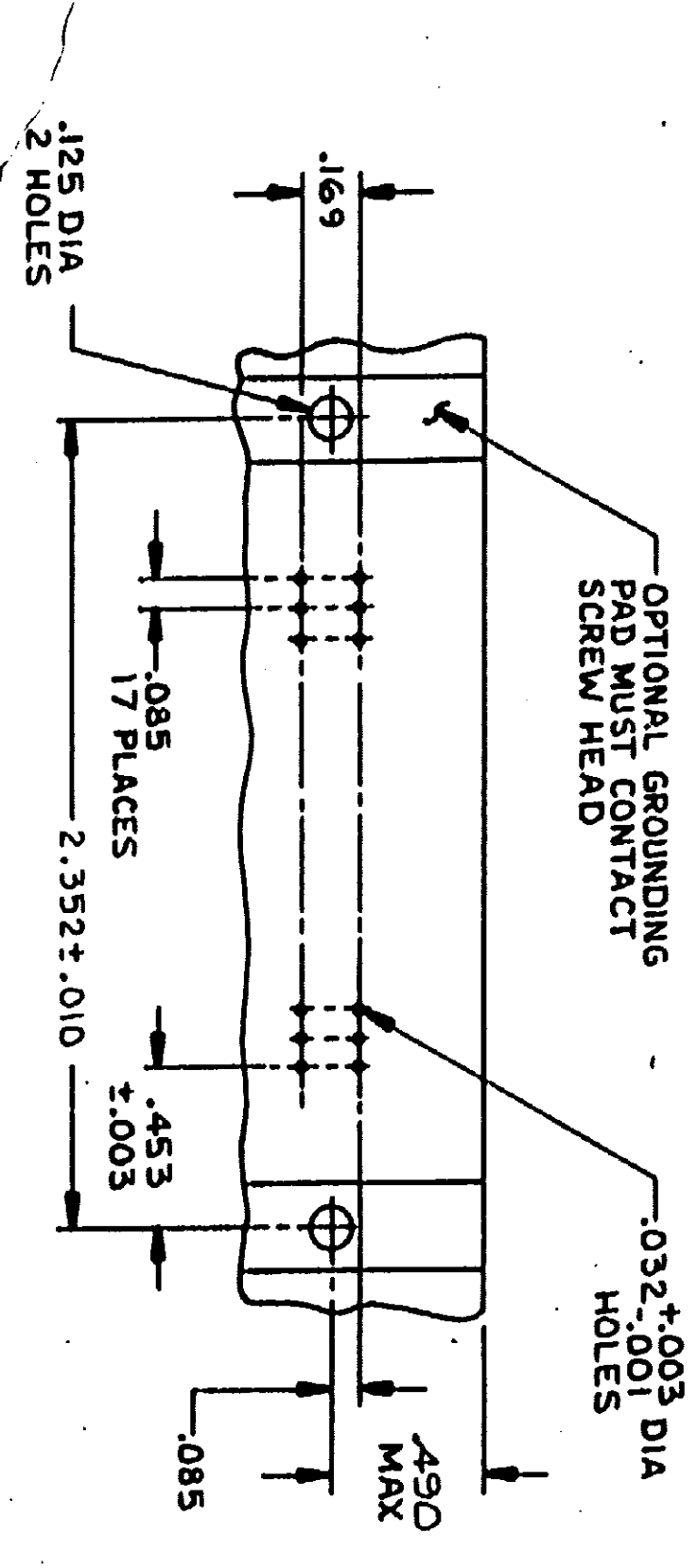
Address: A1208, Overseas Decoration Building, #122 Zhenhua RD., Futian, Shenzhen, China



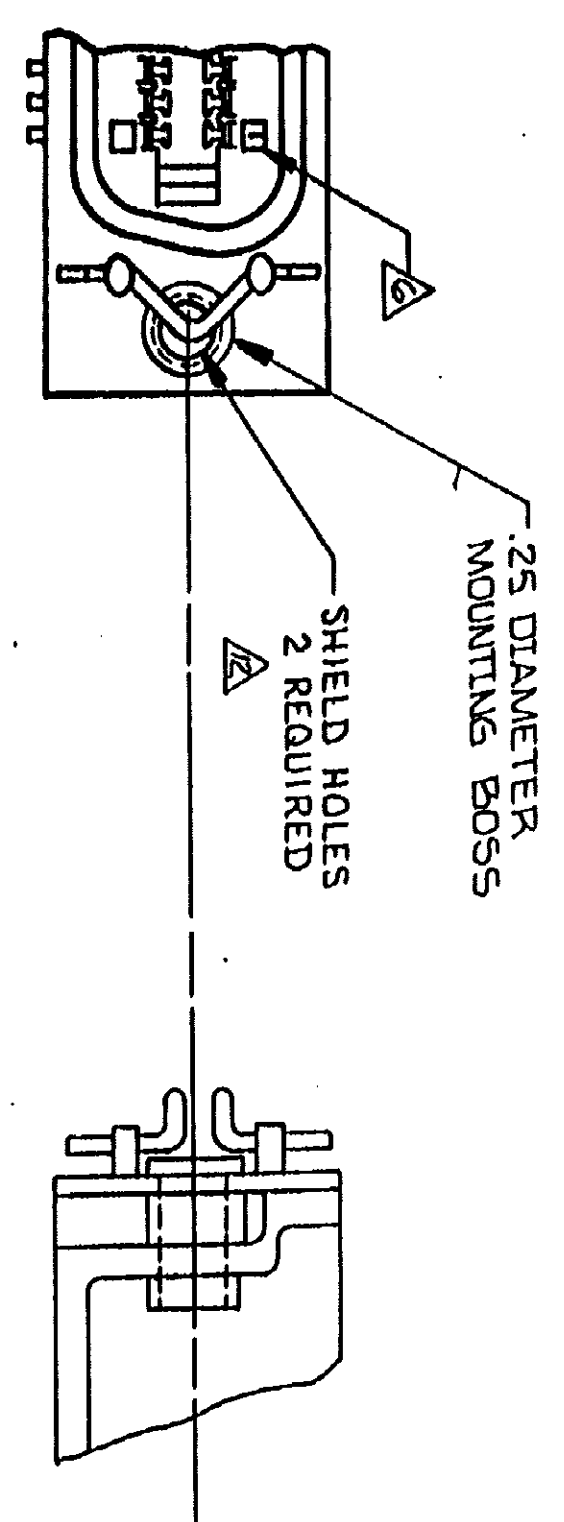
DRAWING MADE IN THIRD ANGLE PROJECTION

THIS DRAWING IS UNPUBLISHED. RELEASED FOR PUBLICATION
 © COPYRIGHT 1988 BY AMP INCORPORATED, HARRISBURG, PA. ALL INTERNATIONAL RIGHTS RESERVED. AMP PRODUCTS MAY BE COVERED BY U.S. AND FOREIGN PATENTS AND/OR PENDING.

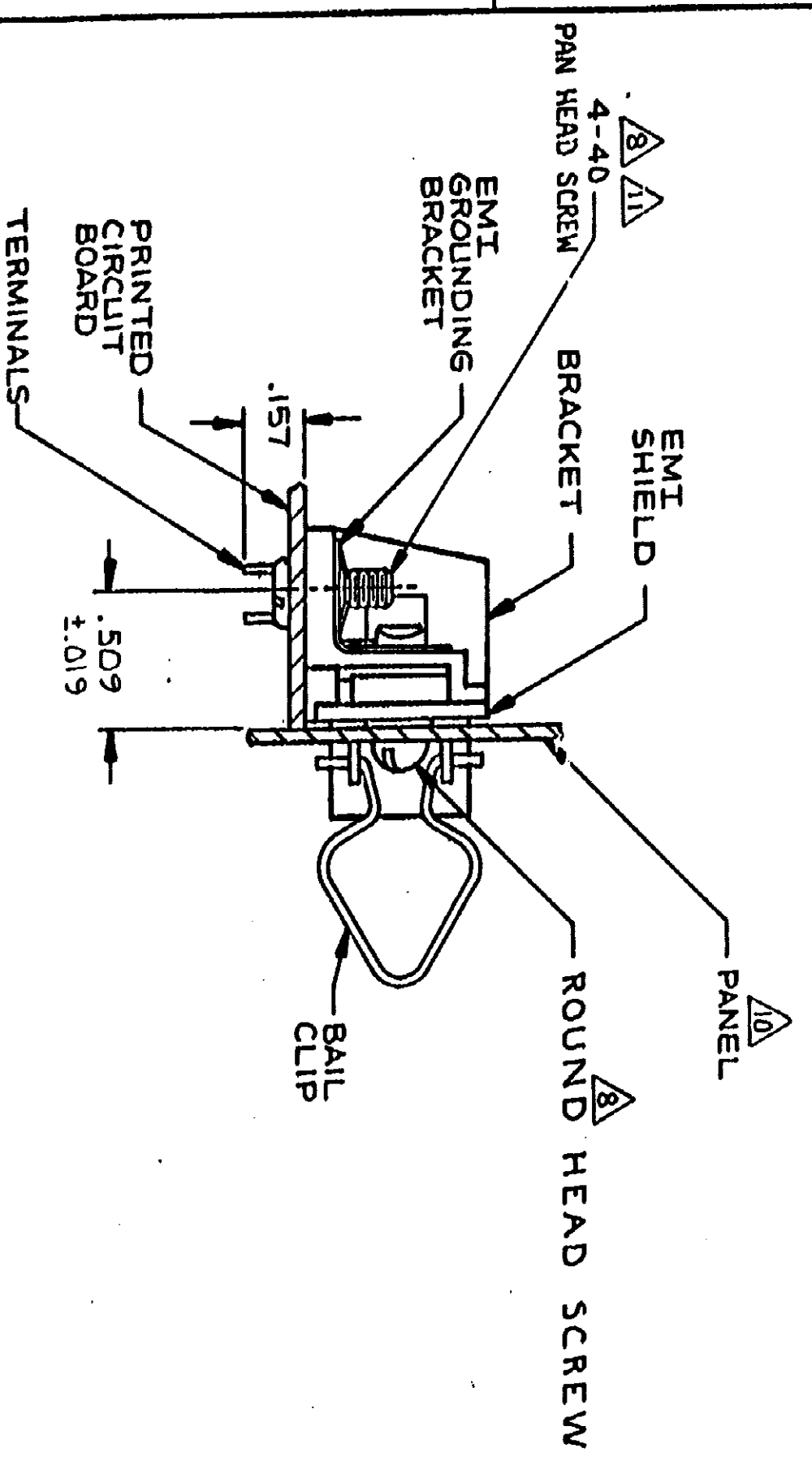
REV	DATE	APPROVED	REVISIONS
1	1-15-92	LIBS	DESCRIPTION: 4-EDN MA-7986
2			
3			
4			
5			
6			
7			



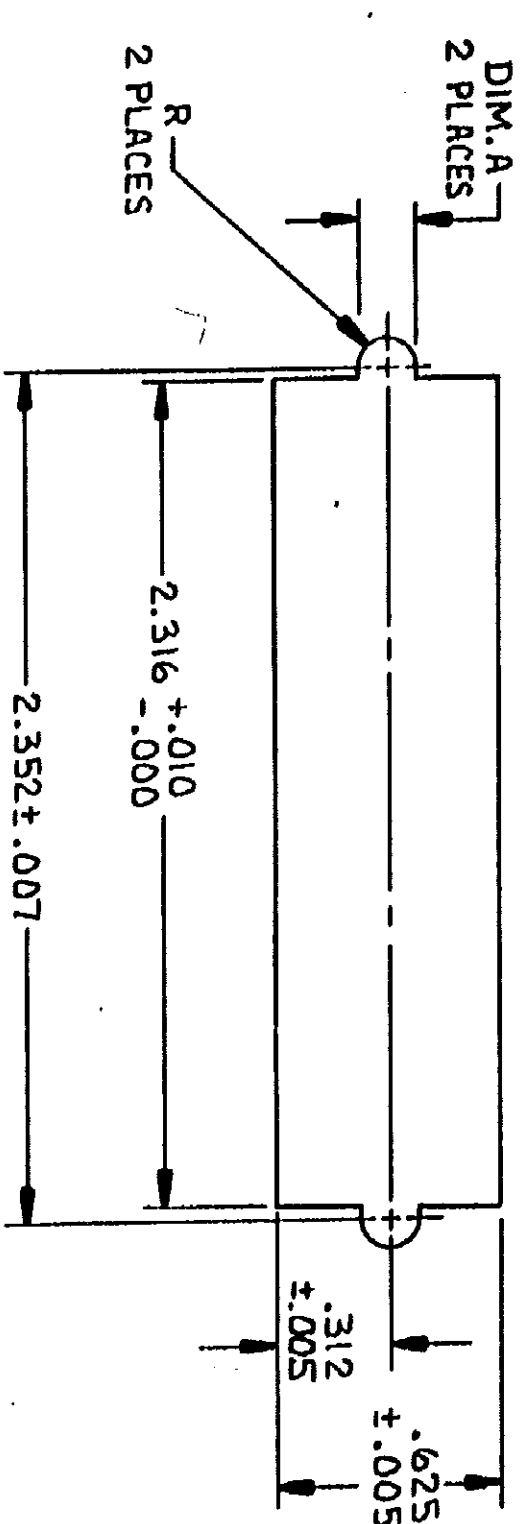
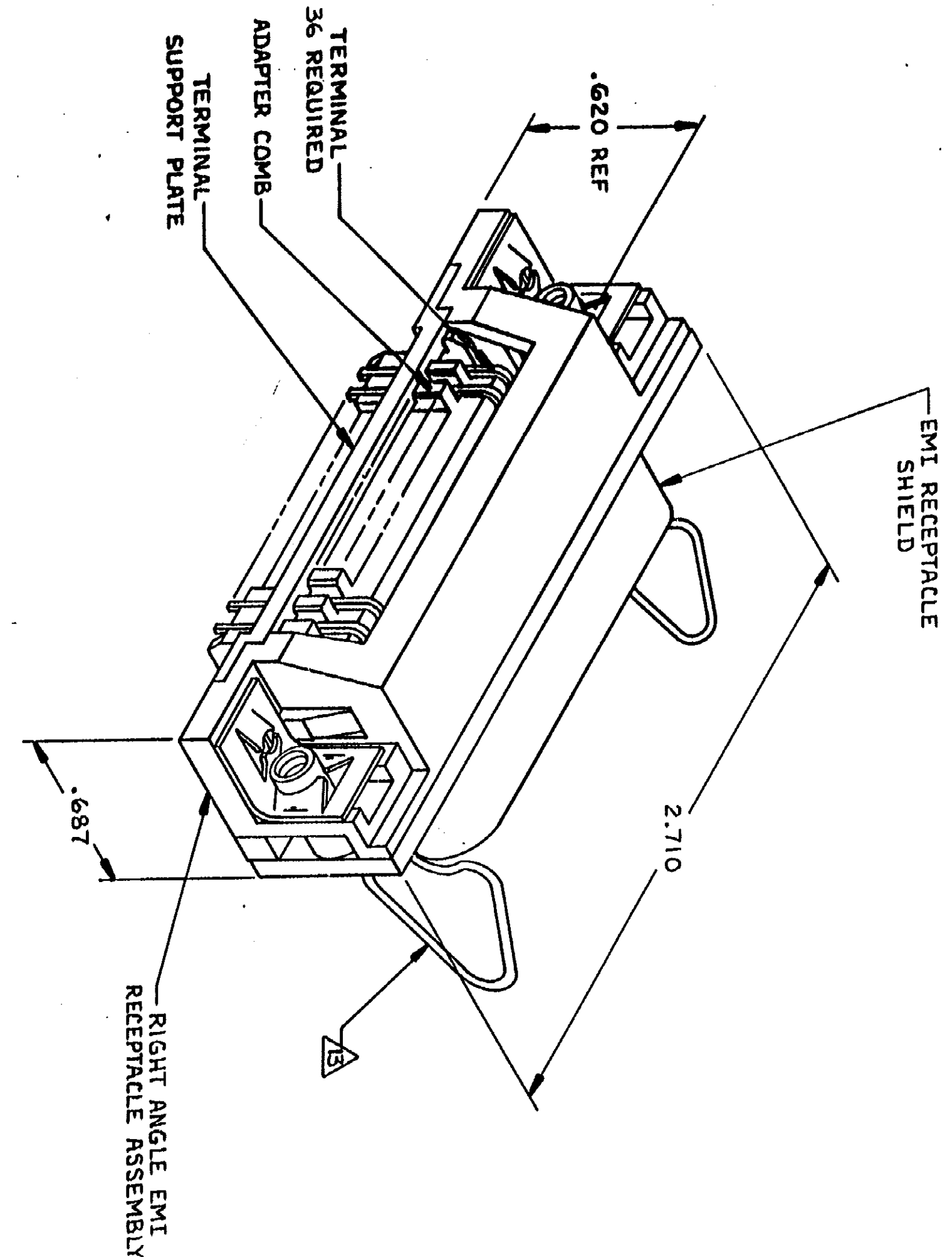
SUGGESTED PRINTED CIRCUIT BOARD MOUNTING DIMENSIONS



DETAIL A STANDARD ORIENTATION



REAR PANEL MOUNTING DETAIL SHOWN FOR REFERENCE ONLY



SUGGESTED REAR PANEL MOUNTING CUTOUT DIMENSIONS

- △ MATERIAL: HOUSING, BRACKET, ADAPTER COMB AND TERMINAL SUPPORT PLATE-THERMOPLASTIC (BLACK). EMI SHIELD-BRIGHT NICKEL OVER COPPER PLATED DIE CASTING. TERMINALS-TAILS-TIN LEAD OVER NICKEL PLATED HIGH STRENGTH COPPER ALLOY. MATING SURFACE-LOCALIZED GOLD OVER NICKEL PLATED HIGH STRENGTH COPPER ALLOY. BAIL CLIPS-PASSIVATED STAINLESS STEEL.
- 2. THE CONTACT SURFACES OF THE TERMINALS ARE COATED WITH LUBRICANT.
- 3. CENTER-TO-CENTER SPACING OF TERMINALS IS .085.
- 4. ALL DIMENSIONS SHOWN ARE FOR REFERENCE ONLY UNLESS OTHERWISE SPECIFIED.
- △ DETAIL A&B ARE VIEWED FROM MATING SIDE OF RECEPTACLE ASSEMBLY.
- △ TERMINAL 1 LOCATED IN THIS ROW FOR STANDARD ORIENTATION.
- △ SCREWS SHOWN FOR REFERENCE ONLY.
- 9. BAIL CLIPS&EMI SHIELD ARE ASSEMBLED TO CONNECTOR BEFORE SHIPMENT.
- △ PANEL THICKNESS RANGE: .062 MAX.
- △ STAINLESS STEEL SCREWS RECOMMENDED BECAUSE OF CONTACT WITH SOLDER BATH.
- △ HOLES TO BE TAPPED AFTER PLATING.

UNLESS OTHERWISE SPECIFIED, DIMENSIONS ARE IN INCHES. DECIMALS ± ANGLES ±		CONTRACT NO. 0 X44 7-26-82	
MATERIAL		DR. 0 X44 7-26-82	DATE 8-4-82
FINISH		CHK. M.D. 2-1-82	APPRO. 2-1-82
OTHER APPR.		DESIGN APPR. 5-1-82	OTHER APPR.
DIM. A		4-40 SHIELD HOLE SIZE	STANDARD R
DIM. A		UNC-2B	553815-3
DIM. A		ORIENTATION	DETAIL
DIM. A		NAME ASSEMBLY EMT RECEPTACLE, 36 POSITION, BAIL LOCK (CHAMP, PRINTED CIRCUIT BOARD, RIGHT ANGLE, PANEL MOUNTING)	PART NO.
DIM. A		SIZE	D
DIM. A		FSM NO.	00779
DIM. A		DRAWING NO.	553815
DIM. A		SCALE	2:1
DIM. A		SHEET	1 OF 1

CUSTOMER DRAWING