



Chipsmall Limited consists of a professional team with an average of over 10 year of expertise in the distribution of electronic components. Based in Hongkong, we have already established firm and mutual-benefit business relationships with customers from,Europe,America and south Asia,supplying obsolete and hard-to-find components to meet their specific needs.

With the principle of “Quality Parts,Customers Priority,Honest Operation,and Considerate Service”,our business mainly focus on the distribution of electronic components. Line cards we deal with include Microchip,ALPS,ROHM,Xilinx,Pulse,ON,Everlight and Freescale. Main products comprise IC,Modules,Potentiometer,IC Socket,Relay,Connector.Our parts cover such applications as commercial,industrial, and automotives areas.

We are looking forward to setting up business relationship with you and hope to provide you with the best service and solution. Let us make a better world for our industry!



## Contact us

Tel: +86-755-8981 8866 Fax: +86-755-8427 6832

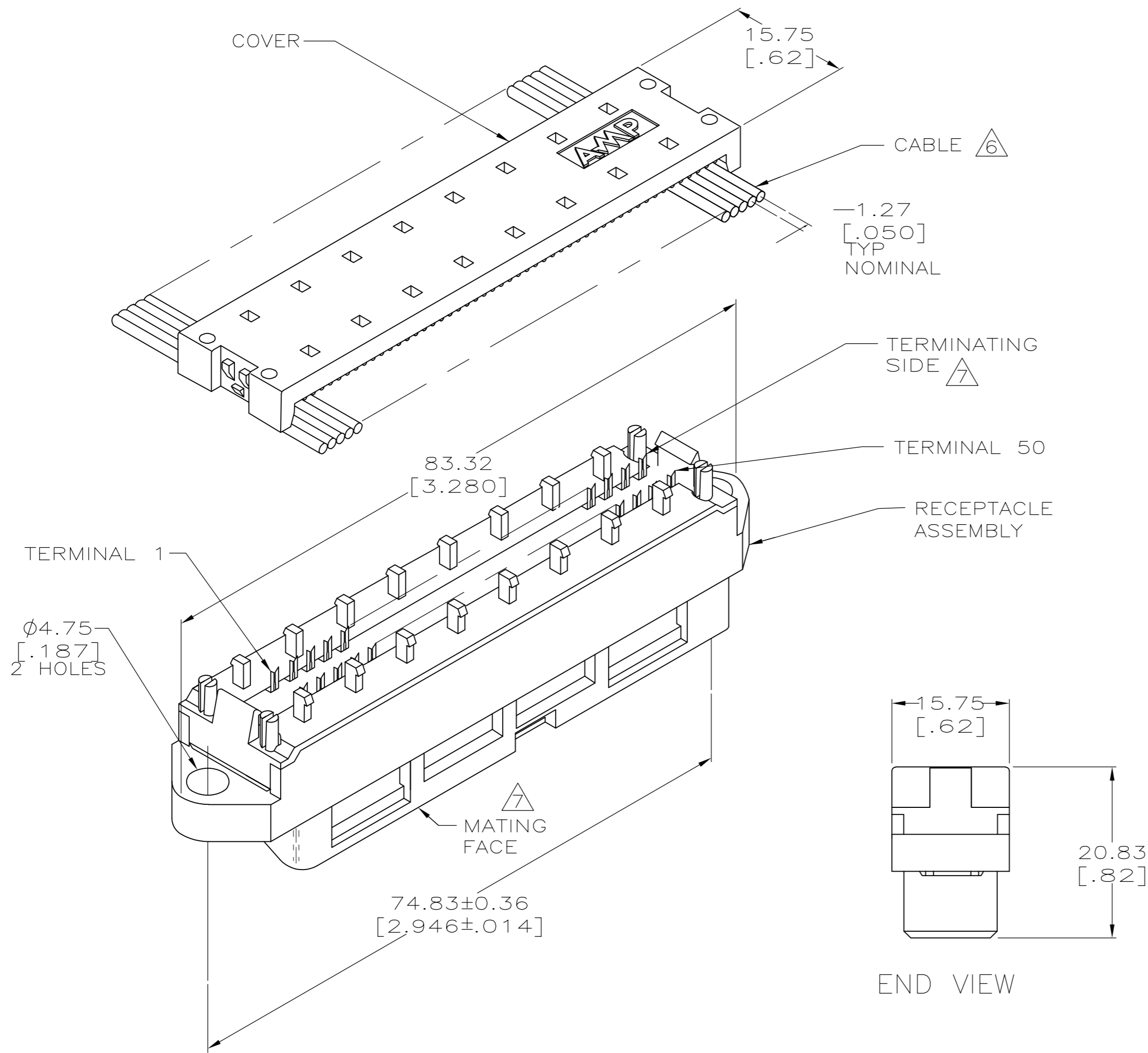
Email & Skype: info@chipsmall.com Web: www.chipsmall.com

Address: A1208, Overseas Decoration Building, #122 Zhenhua RD., Futian, Shenzhen, China



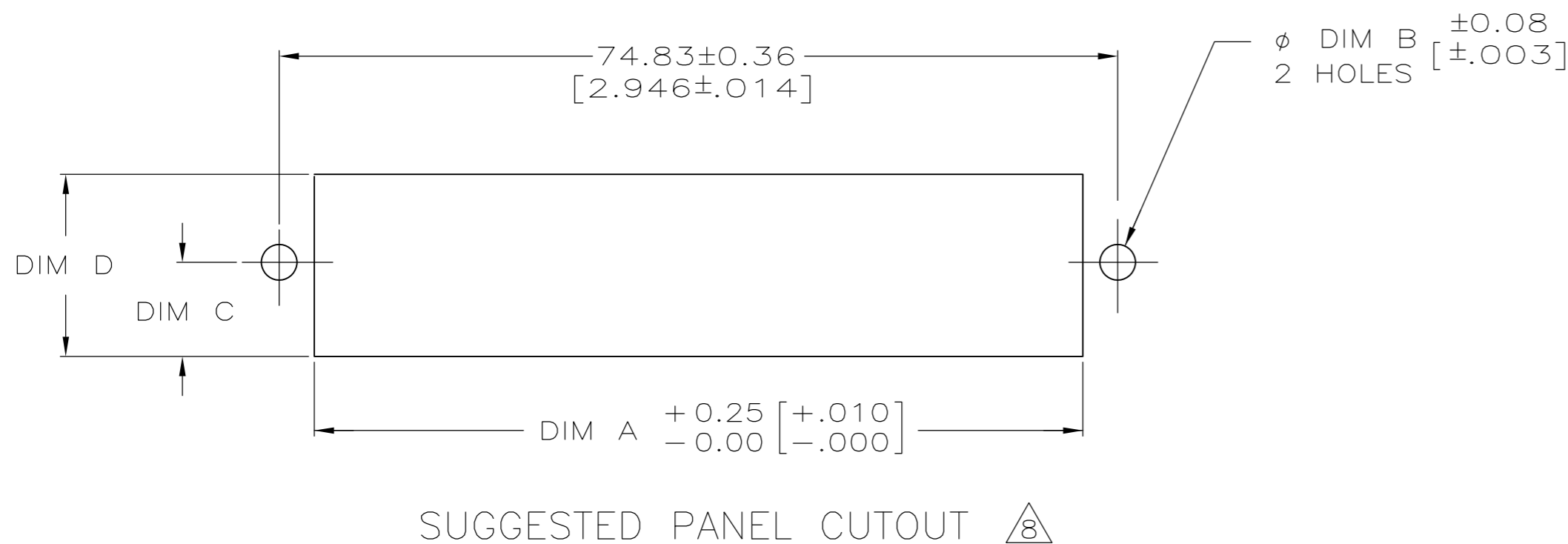
THIS DRAWING IS UNPUBLISHED. RELEASED FOR PUBLICATION  
 © COPYRIGHT BY TYCO ELECTRONICS CORPORATION. ALL RIGHTS RESERVED.

LOC	DIST	REVISIONS					
GP	00	P	LTR	DESCRIPTION	DATE	DWN	APVD
		P		REVISED PER ECO-08-007327	17APR08	BM	WM



- THE CONTACT SURFACES OF THE TERMINALS ARE COATED WITH LUBRICANT.
- MATERIAL:**  
HOUSING & COVER - THERMOPLASTIC (BLACK).  
TERMINALS - PHOS BRONZE PLATED WITH EITHER 0.76 $\mu$ m [.000030] MINIMUM GOLD PLATE OR GOLD FLASH OVER PALLADIUM NICKEL PLATE, 0.76 $\mu$ m [.000030] MIN TOTAL ON MATING SURFACE. GOLD FLASH PLATED ON TERMINATING SIDE. 1.27 $\mu$ m [.000050] MINIMUM NICKEL UNDERPLATE OVER ENTIRE TERMINAL.
- BULK PACKAGED 500 PER CONTAINER.
- WIRE RANGE: 26 AWG SOLID THRU 30 AWG AND 28 AWG STRANDED RIBBON CABLE.
- ALL DIMENSIONS SHOWN ARE FOR REFERENCE ONLY UNLESS OTHERWISE SPECIFIED.
- FLAT CABLE SHALL BE FURNISHED BY CUSTOMER.
- MATING FACE CONSISTS OF TWO ROWS OF TERMINALS ON 2.16 [.085] CENTERS. TERMINATING SIDE CONSISTS OF TERMINALS ON 2.54 [.100] CENTERS FOR AN EFFECTIVE 1.27 [.050] TERMINATION.
- PANEL THICKNESS RANGE:  
FRONT PANEL MOUNTING - 3.18 [.125] MAXIMUM.  
REAR PANEL MOUNTING - 1.58 [.062] MAXIMUM.
- ALL DIMENSIONS SHOWN ARE MAXIMUM UNLESS OTHERWISE SPECIFIED.

15.75 [.620]	7.87 [.310]	3.78 [.149]	68.58 [2.700]	REAR PANEL MOUNTING
16.26 [.640]	8.13 [.320]	3.20 [.126]	68.58 [2.700]	FRONT PANEL MOUNTING
DIM D	DIM C	DIM B	DIM A	DESCRIPTION



THIS DRAWING IS A CONTROLLED DOCUMENT.		DWN	12-17-93	Tyco Electronics Corporation	
DIMENSIONS: mm [INCHES]		K. TILLMAN/JTA <td>9-2-94 <td colspan="2">Harrisburg, PA 17105-3608</td> </td>	9-2-94 <td colspan="2">Harrisburg, PA 17105-3608</td>	Harrisburg, PA 17105-3608	
TOLERANCES UNLESS OTHERWISE SPECIFIED:		CHK	C. WHITT	NAME	
0 PLC	$\pm$ -	APVD	J. TRAMMEL	RECEPTACLE ASSEMBLY, 50 POSITION, PANEL MOUNTING, LOW PROFILE, CHAMP LATCH	
1 PLC	$\pm$ -	PRODUCT SPEC	108-6076	SIZE	CAGE CODE
2 PLC	$\pm$ -	APPLICATION SPEC	114-6030	A2	00779
3 PLC	$\pm$ -			DRAWING NO	C=554090
4 PLC	$\pm$ -			RESTRICTED TO	-
ANGLES	$\pm$ -	MATERIAL		SCALE	2:1
FINISH	$\triangle 2$			SHEET	1 of 1
				REV	P