



Chipsmall Limited consists of a professional team with an average of over 10 year of expertise in the distribution of electronic components. Based in Hongkong, we have already established firm and mutual-benefit business relationships with customers from,Europe,America and south Asia,supplying obsolete and hard-to-find components to meet their specific needs.

With the principle of “Quality Parts,Customers Priority,Honest Operation,and Considerate Service”,our business mainly focus on the distribution of electronic components. Line cards we deal with include Microchip,ALPS,ROHM,Xilinx,Pulse,ON,Everlight and Freescale. Main products comprise IC,Modules,Potentiometer,IC Socket,Relay,Connector.Our parts cover such applications as commercial,industrial, and automotives areas.

We are looking forward to setting up business relationship with you and hope to provide you with the best service and solution. Let us make a better world for our industry!



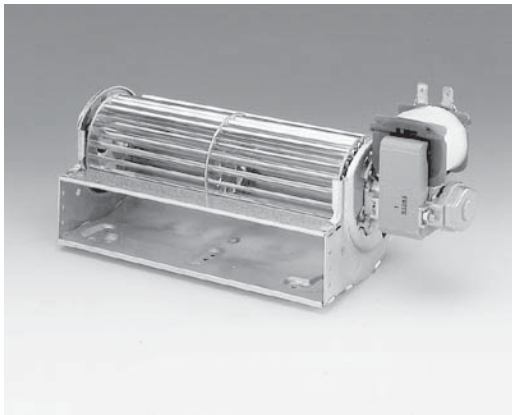
## Contact us

Tel: +86-755-8981 8866 Fax: +86-755-8427 6832

Email & Skype: info@chipsmall.com Web: www.chipsmall.com

Address: A1208, Overseas Decoration Building, #122 Zhenhua RD., Futian, Shenzhen, China



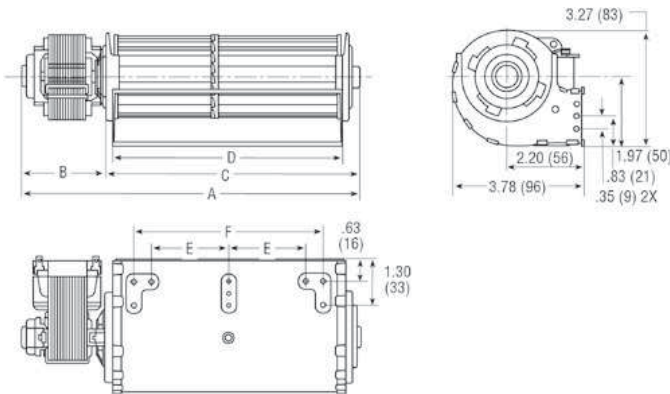


# QLZ06AC Series Crossflow Blower

180... 300mm x Ø 60mm

- AC blower with shaded pole motor with sleeve bearings and terminals. Max ambient temperature of 60 C.
- High volume and performance already at a low air velocity, therefore low noise level.
- Fan propeller of aluminum and air duct housing of sheet steel.
- Rotational direction CW looking at rotor.
- UL, CSA, VDE approvals on some models. Please contact application engineering

Part Number	Model Number	Curve	CFM @ 0	VAC	Hertz	Power (W)	dBA	Motor Position	Bobbin Position	Insul. Class
55410.91162	QLZ060018A2262518L70VB	1	63	115	60	29	49	Left	Front	B
55410.81390	QLZ061800A3313025LH48IX	2	72	120	60	35	49	Right	Up	B
55410.91190	QLZ060018A2412524L60PV	2	72	115	60	35	50	Left	Front	B
55412.70305	QLZ060030A583030LH133ACW	3	138	115	60	56	50	Left	Front	H
55410.91161	QLZ060018A2262518L70PW	1	63	220/240	50/60	28	49	Left	Front	B
55410.81051	QLZ061800A265252415PZ	2	72	220/240	50/60	35	50	Right	Up	H



PART NUMBER	A	B	C	D	E	F
55410.91/81---	inch (mm)	inch (mm)	inch (mm)	inch (mm)	inch (mm)	inch (mm)
55412.70---	10.24 (260)	2.17 (55)	7.68 (195)	7.09 (180)	2.52 (64)	6.06 (154)
	15.55 (395)	2.83 (72)	12.32 (313)	11.81 (300)	4.84 (123)	10.70 (272)

