



Chipsmall Limited consists of a professional team with an average of over 10 year of expertise in the distribution of electronic components. Based in Hongkong, we have already established firm and mutual-benefit business relationships with customers from,Europe,America and south Asia,supplying obsolete and hard-to-find components to meet their specific needs.

With the principle of “Quality Parts,Customers Priority,Honest Operation,and Considerate Service”,our business mainly focus on the distribution of electronic components. Line cards we deal with include Microchip,ALPS,ROHM,Xilinx,Pulse,ON,Everlight and Freescale. Main products comprise IC,Modules,Potentiometer,IC Socket,Relay,Connector.Our parts cover such applications as commercial,industrial, and automotives areas.

We are looking forward to setting up business relationship with you and hope to provide you with the best service and solution. Let us make a better world for our industry!



## Contact us

Tel: +86-755-8981 8866 Fax: +86-755-8427 6832

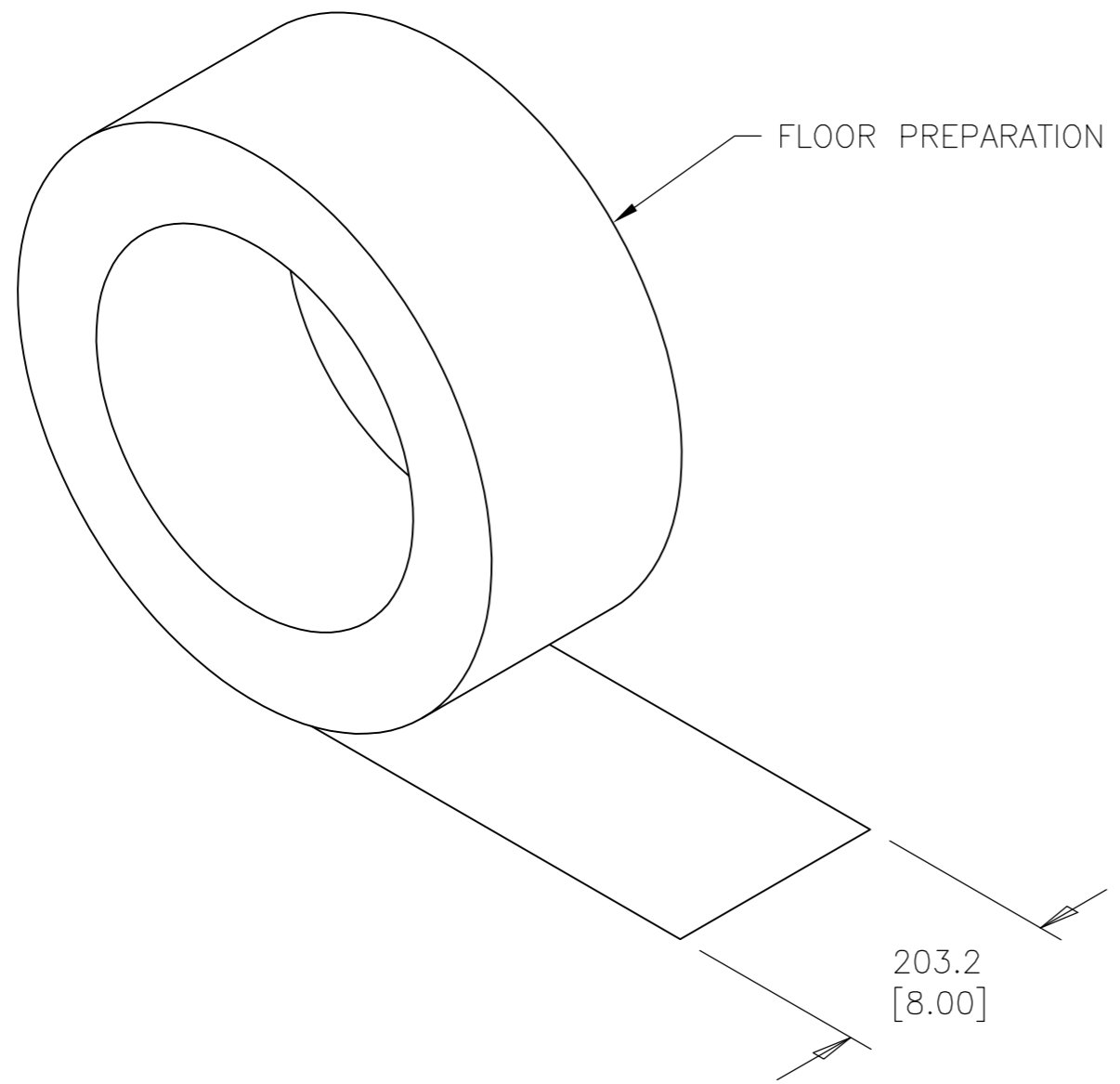
Email & Skype: info@chipsmall.com Web: www.chipsmall.com

Address: A1208, Overseas Decoration Building, #122 Zhenhua RD., Futian, Shenzhen, China



THIS DRAWING IS UNPUBLISHED. RELEASED FOR PUBLICATION  
 © COPYRIGHT BY TYCO ELECTRONICS CORPORATION. ALL INTERNATIONAL RIGHTS RESERVED.

LOC	DIST	REVISIONS					
		P	LTR	DESCRIPTION	DATE	DWN	APVD
HM	00		B	REV ECO-08-016211	22JUL08	LH	SJ



1. ALL DIMENSIONS SHOWN ARE FOR REFERENCE ONLY UNLESS OTHERWISE SPECIFIED.
2. MATERIAL: POLYVINYL CHLORIDE SHEET, YELLOW, .010 THICK.
3. APPLICATION: PROVIDES A SMOOTH, EVEN SURFACE FOR UNDERCARPET POWER CABLE (TYPE FCC) INSTALLATION. REQUIRED FOR SLAB-ON-GRADE INSTALLATIONS. REFER TO INSTRUCTION SHEET 408-3154 FOR ADDITIONAL INSTALLATION INFORMATION.

30.5 [100]	554123-4
15.2 [50]	554123-3
76.2 [250]	554123-1
LENGTH M [FT]	PART NO.

THIS DRAWING IS A CONTROLLED DOCUMENT.		DWN L. HALL 22JUL2008	Tyco Electronics Corporation Harrisburg, PA 17105-3608												
DIMENSIONS: mm [INCHES]		CHK S. JONES 22JUL2008	NAME PREPARATION, FLOOR, UC												
TOLERANCES UNLESS OTHERWISE SPECIFIED:		APVD S. JONES 22JUL2008	PRODUCT SPEC -												
<table border="1"> <tr><td>0 PLC</td><td>± -</td></tr> <tr><td>1 PLC</td><td>± -</td></tr> <tr><td>2 PLC</td><td>± -</td></tr> <tr><td>3 PLC</td><td>± -</td></tr> <tr><td>4 PLC</td><td>± -</td></tr> <tr><td>ANGLES</td><td>± -</td></tr> </table>		0 PLC	± -	1 PLC	± -	2 PLC	± -	3 PLC	± -	4 PLC	± -	ANGLES	± -	APPLICATION SPEC -	
0 PLC	± -														
1 PLC	± -														
2 PLC	± -														
3 PLC	± -														
4 PLC	± -														
ANGLES	± -														
MATERIAL -	FINISH -	WEIGHT -	SIZE A3	RESTRICTED TO -											
		CAGE CODE 00779		DRAWING NO 554123											
		SCALE NTS		SHEET 1 OF 1											
		CUSTOMER DRAWING		REV B											