



Chipsmall Limited consists of a professional team with an average of over 10 year of expertise in the distribution of electronic components. Based in Hongkong, we have already established firm and mutual-benefit business relationships with customers from,Europe,America and south Asia,supplying obsolete and hard-to-find components to meet their specific needs.

With the principle of “Quality Parts,Customers Priority,Honest Operation,and Considerate Service”,our business mainly focus on the distribution of electronic components. Line cards we deal with include Microchip,ALPS,ROHM,Xilinx,Pulse,ON,Everlight and Freescale. Main products comprise IC,Modules,Potentiometer,IC Socket,Relay,Connector.Our parts cover such applications as commercial,industrial, and automotives areas.

We are looking forward to setting up business relationship with you and hope to provide you with the best service and solution. Let us make a better world for our industry!



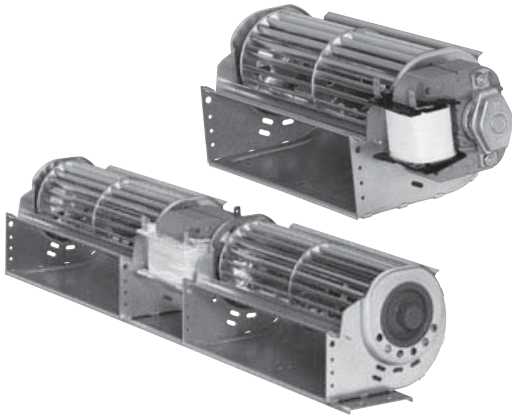
Contact us

Tel: +86-755-8981 8866 Fax: +86-755-8427 6832

Email & Skype: info@chipsmall.com Web: www.chipsmall.com

Address: A1208, Overseas Decoration Building, #122 Zhenhua RD., Futian, Shenzhen, China





QLN65AC Series Crossflow Blower

120... 300mm x Ø 65mm Impeller

- High efficiency product line, impeller diameter 65 mm.
- Mounting position horizontal or vertical with motor at the bottom.
- Permissible ambient temperature 0-60° C.
- Insulation class B, class F or H on request.
- Minimum order quantity may apply.

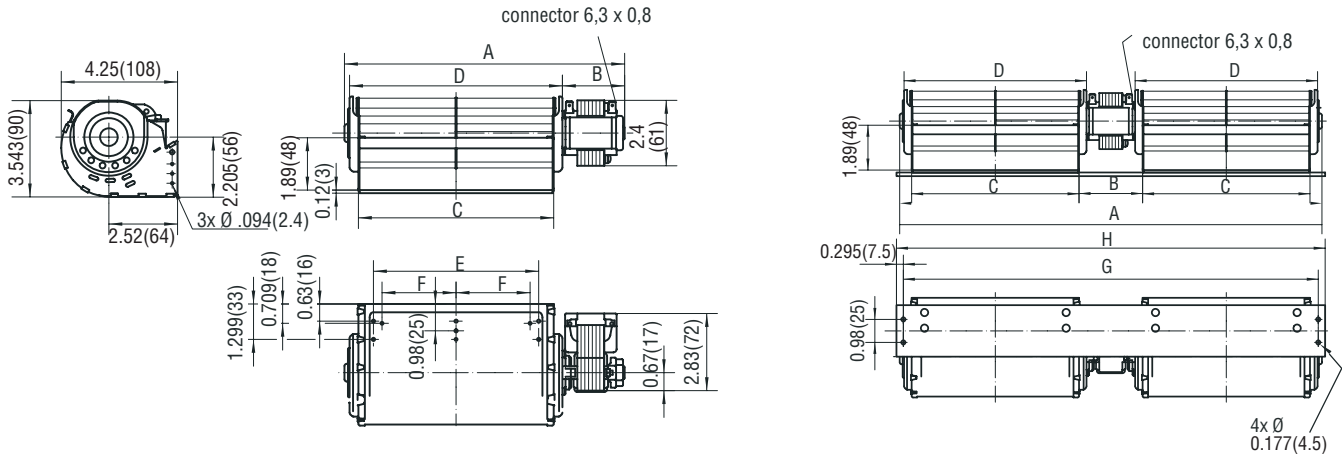
Part Number	Model Number	Motor Position (L/R)	VAC	Hertz	Airflow (CFM)*	Max. Static Pressure (Pa)	Power Input (W)*	Speed* (RPM)	Weight (lbs.)	Coil Position**	Insulation Class
***	QLN65/1200-2524LH	R	115	60	49	50	14	1,300	2.0	0	H
55416.17090	QLN65/0012A13-2524LH-66RV	L	115	60	74	50	42	1,950	2.0	90	H
55416.25170	QLN65/1800A25-3030LH-85ABZ	R	115	60	114	93	49	1,700	2.7	0	H
55416.27260	QLN65/0018A63-3030LH-185ABZ	L	115	60	114	93	49	1,700	2.7	0	H
55416.30250	QLN65/2400A38-3030LH-166ACW	R	115	60	129	83	55	1,500	3.2	0	H
55416.32130	QLN65/002437-3030L-208ZS	L	115	60	129	83	55	1,500	3.2	0	B
55416.35031	QLN65/3000A3-3045L-48DL	R	115	60	150	110	65	1,400	3.9	0	B
55416.37070	QLN65/0030A15-3045LH-60NI	L	115	60	150	110	65	1,400	3.9	0	H
TWIN Series (double housing)											
55416.29089	QLN65/1818A8-3045LH-69UH	M	115	60	174	113	54	1,250	5.3	180	H
55416.34099	QLN65/2424A9-3045LH-69UH	M	115	60	188	108	54	1,050	5.7	180	H

* Data based on free delivery conditions. Subject to alterations.

** See Fig. 1 on page 234.

*** Contact application engineering for part number.

Model Number	Motor Position	A		B		C		D		E		F		G		H	
		inch	mm	inch	mm	inch	mm	inch	mm	inch	mm	inch	mm	inch	mm	inch	mm
QLN65/1200-2524LH	R	7.72	196	1.93	49	4.80	122	5.47	139	3.70	94	-	-	-	-	-	-
QLN65/0012A13-2524LH-66RV	L	7.72	196	1.93	49	4.80	122	5.47	139	3.70	94	-	-	-	-	-	-
QLN65/1800A25-3030LH-85ABZ	R	10.47	266	2.32	59	7.17	182	7.83	199	6.06	154	3.03	77	-	-	-	-
QLN65/0018A24-3030LH-81ABZ	L	10.47	266	2.32	59	7.17	182	7.83	199	6.06	154	3.03	77	-	-	-	-
QLN65/2400A20-3030LH-85ACW	R	13.03	331	2.56	65	9.53	242	10.20	259	8.35	212	4.17	106	-	-	-	-
QLN65/0024A5-3030L-167ZS	L	13.03	331	2.56	65	9.53	242	10.20	259	8.35	212	4.17	106	-	-	-	-
QLN65/3000A3-3045L-48DL	R	15.75	400	2.87	73	11.89	302	12.56	319	10.71	272	5.35	136	-	-	-	-
QLN65/0030A15-3045LH-60NI	L	15.75	400	2.87	73	11.89	302	12.56	319	10.71	272	5.35	136	-	-	-	-
QLN65/1818A8-3045LH-69UH	M	18.90	480	3.31	84	7.17	182	7.83	199	-	-	-	-	18.23	463	18.82	478
QLN65/2424A9-3045LH-69UH	M	23.62	600	3.31	84	9.53	242	10.20	259	-	-	-	-	22.95	583	23.54	598



ebmpapst

e-mail: sales@us.ebmpapst.com · TEL: 860-674-1515 · FAX: 860-674-8536

ebm-papst Inc., 100 Hyde Road, Farmington, CT 06034 USA

ebm-papst Inc., 2006 © ebm-papst Inc. reserves the right to change any specifications or data without notice