



Chipsmall Limited consists of a professional team with an average of over 10 year of expertise in the distribution of electronic components. Based in Hongkong, we have already established firm and mutual-benefit business relationships with customers from,Europe,America and south Asia,supplying obsolete and hard-to-find components to meet their specific needs.

With the principle of “Quality Parts,Customers Priority,Honest Operation,and Considerate Service”,our business mainly focus on the distribution of electronic components. Line cards we deal with include Microchip,ALPS,ROHM,Xilinx,Pulse,ON,Everlight and Freescale. Main products comprise IC,Modules,Potentiometer,IC Socket,Relay,Connector.Our parts cover such applications as commercial,industrial, and automotives areas.

We are looking forward to setting up business relationship with you and hope to provide you with the best service and solution. Let us make a better world for our industry!



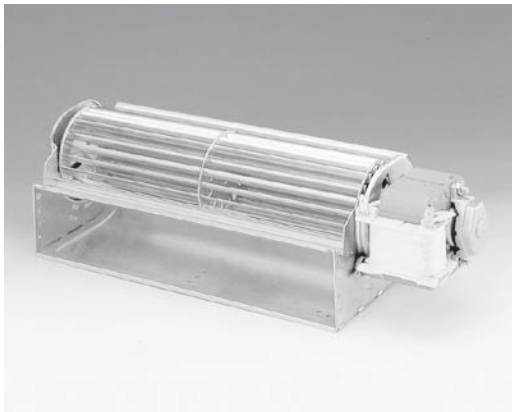
## Contact us

Tel: +86-755-8981 8866 Fax: +86-755-8427 6832

Email & Skype: info@chipsmall.com Web: www.chipsmall.com

Address: A1208, Overseas Decoration Building, #122 Zhenhua RD., Futian, Shenzhen, China





## QLN65AC Series Crossflow Blower

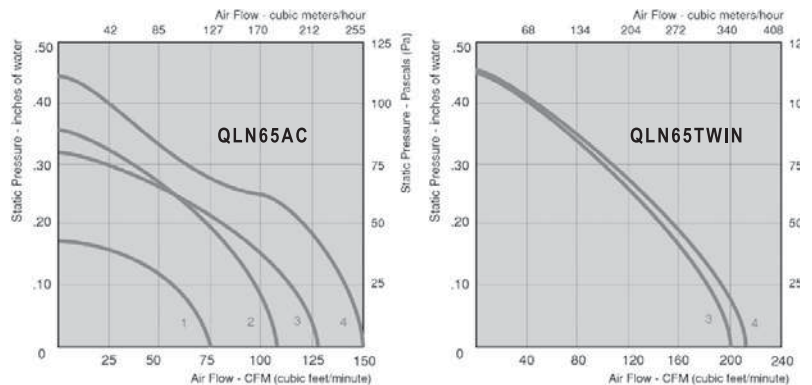
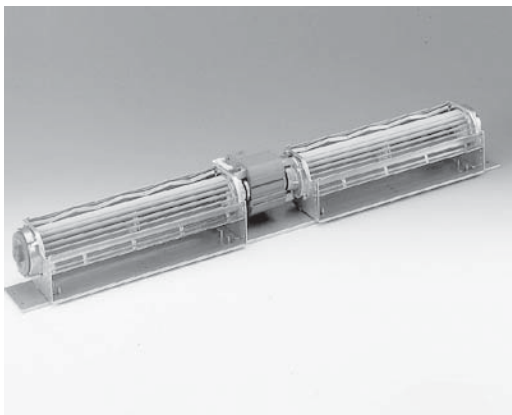
120... 300mm x Ø 65mm

- AC blower with shaded pole motor with sleeve bearings and terminals. Max ambient temperature of 60 C.
- High volume and performance already at a low air velocity, therefore low noise level.
- Fan propeller of aluminum and air duct housing of sheet steel.
- Rotational direction CW looking at rotor.
- UL, CSA, VDE approvals on some models. Please contact application engineering

Part Number	Model Number	Curve	CFM @ 0	VAC	Hertz	Power (W)	dBA	Motor Position	Bobbin Position	Insul. Class
55416.17070	QLN650012A112524L50KX	1	75	115	60	39	49	Left	Front	B
55416.17090	QLN650012A132524LH66RV	1	75	115	60	39	49	Left	Up	H
55416.25130	QLN651800A193030L139ZR	2	110	115	60	46	49	Right	Front	B
55416.25170	QLN651800A253030LH85ABZ	2	110	115	60	46	49	Right	Front	H
55416.27070	QLN650018A203030L167ZR	2	110	115	60	46	49	Left	Front	B
55416.27080	QLN650018A243030LH81ABZ	2	110	115	60	46	49	Left	Front	H
55416.30031	QLN652400A43030L139ZS	3	127	115	60	56	46	Right	Front	B
55416.30130	QLN652400A203030LH85ACW	3	127	115	60	56	46	Right	Front	H
55416.32021	QLN650024A53030L167ZS	3	127	115	60	56	46	Left	Front	B
55416.32080	QLN652424A33045L51DM	3	127	115	60	56	46	Left	Front	H
55416.35031	QLN653000A33045L48DL	4	150	115	60	66	49	Right	Front	B
55416.37070	QLN650030A153045LH60NI	4	150	115	60	66	49	Left	Front	H
<hr/>										
55416.30109	QLN652400A283045LH65UG	3	127	230	50	56	46	Right	Front	F
<hr/>										
55416.35070	QLN653000A103045L48DV	-	155-144	220/240	50/60	54/58	49	Right	Down	B

## QLN65TWIN Series

55416.29080	QLN651818A83045LH69UH	3	200	115	60	80	49	Center	Back	B
55416.34090	QLN652424A93045LH69UH	4	215	115	60	80	47	Center	Back	B



**ebmpapst**

e-mail: [sales@us.ebmpapst.com](mailto:sales@us.ebmpapst.com) · TEL: 860-674-1515 · FAX: 860-674-8536

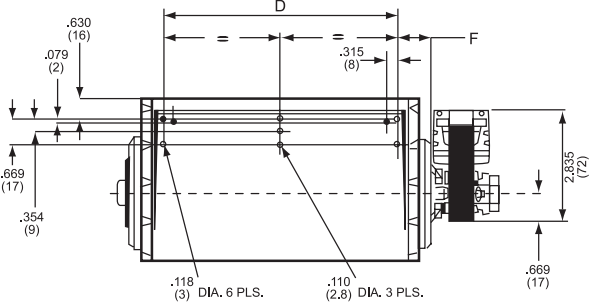
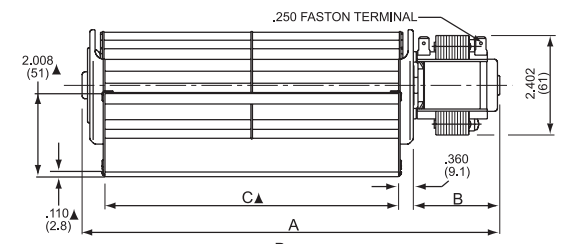
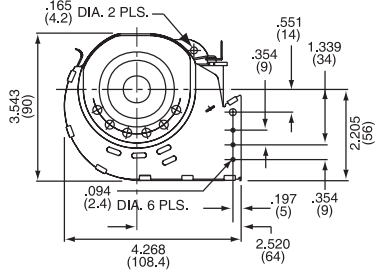
ebm-papst Inc., 100 Hyde Road, Farmington, CT 06034 USA

ebm-papst Inc., 2004 © ebm-papst Inc. reserves the right to change any specifications or data without notice

# QLN65AC Series Mechanical Data Crossflow Blower

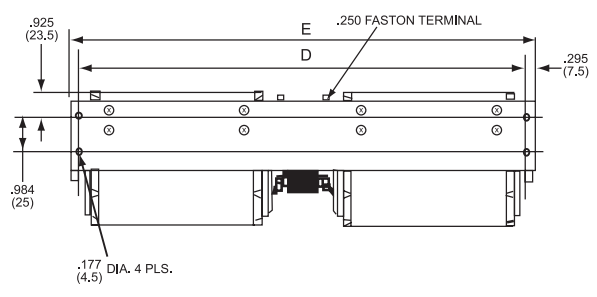
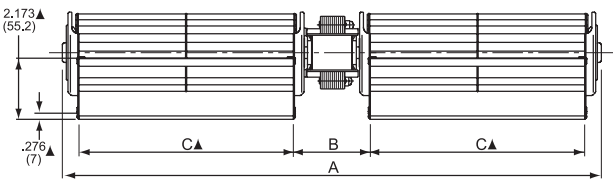
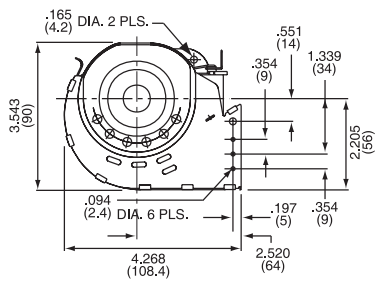
120... 300mm x Ø 65mm

Part Number	Motor Position	A		B		C		D		E		F	
		inch	mm	inch	mm	inch	mm	inch	mm	inch	mm	inch	mm
QLN65/0018-A203030L167ZR QLN65/0018-A243030LH81ABZ QLN65/1800-A193030L139ZR QLN54/1800-A253030LH86ABZ	Left Left Right Right	10.67	271	2.52	64	7.09	180	6.06	154	N/A	N/A	0.55	14
QLN65/0024-A53030L167ZS QLN65/2400-A43030L139ZS QLN65/2400-A283045LH65UG QLN65/3400-A20303LH85ACW	Left Right Right Right	13.03	331	2.52	64	9.45	240	8.35	212	N/A	N/A	0.59	15
QLN65/0030-A153045LH60NI QLN54/3000-A33045L48DL QLN54/3000-A10345L48DV	Left Right Right	15.98	406	3.11	76	11.81	300	10.71	272	N/A	N/A	0.59	15
QLN65/1212-3038L	Middle	14.21	361	3.31	84	2x4.72	2x120	13.58	345	14.17	360	N/A	N/A
QLN65/1818-3045L	Middle	19.25	489	3.64	92.5	2x7.09	2x180	18.58	472	19.13	486	N/A	N/A
QLN65/2424-A33045L51DM	Middle	23.82	605	3.64	92.5	2x9.45	2x240	23.07	586	23.66	601	N/A	N/A



Dimensions: inches (mm)  
▲ Dimension denotes air outlet

## QLN65TWIN Series



All data subject to change without notice



e-mail: [sales@us.ebmpapst.com](mailto:sales@us.ebmpapst.com) · TEL: 860-674-1515 · FAX: 860-674-8536  
 ebm-papst Inc., 100 Hyde Road, Farmington, CT 06034 USA  
 ebm-papst Inc., 2004 © ebm-papst Inc. reserves the right to change any specifications or data without notice