



Chipsmall Limited consists of a professional team with an average of over 10 year of expertise in the distribution of electronic components. Based in Hongkong, we have already established firm and mutual-benefit business relationships with customers from,Europe,America and south Asia,supplying obsolete and hard-to-find components to meet their specific needs.

With the principle of “Quality Parts,Customers Priority,Honest Operation,and Considerate Service”,our business mainly focus on the distribution of electronic components. Line cards we deal with include Microchip,ALPS,ROHM,Xilinx,Pulse,ON,Everlight and Freescale. Main products comprise IC,Modules,Potentiometer,IC Socket,Relay,Connector.Our parts cover such applications as commercial,industrial, and automotives areas.

We are looking forward to setting up business relationship with you and hope to provide you with the best service and solution. Let us make a better world for our industry!



## Contact us

Tel: +86-755-8981 8866 Fax: +86-755-8427 6832

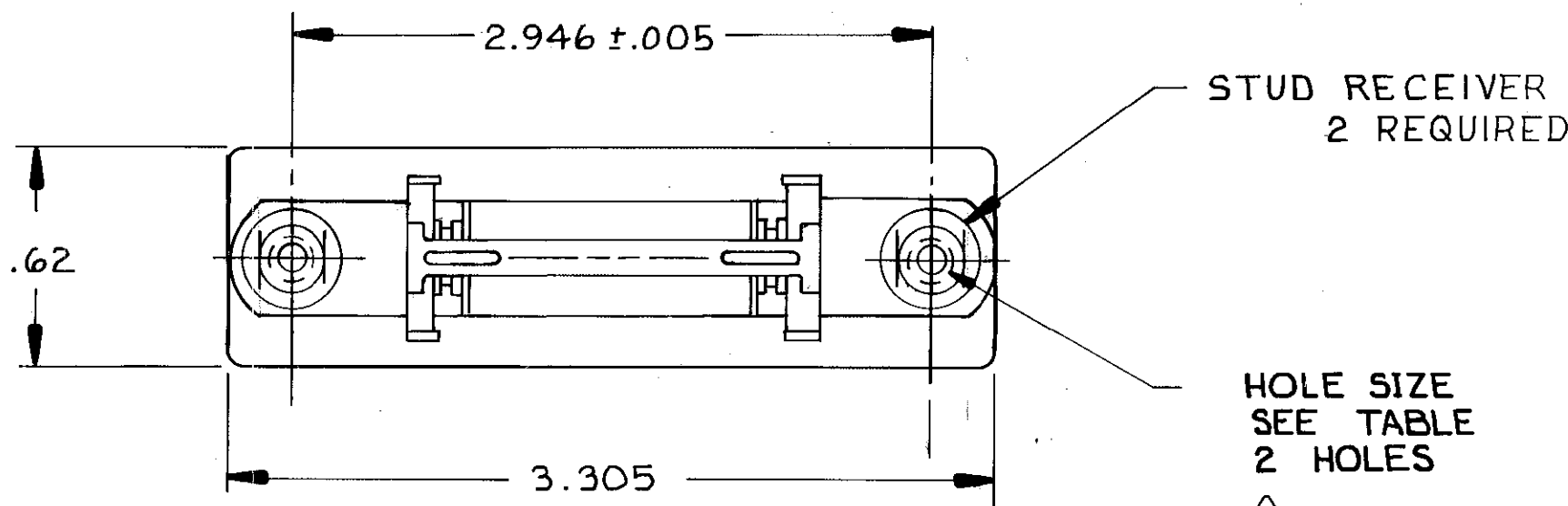
Email & Skype: info@chipsmall.com Web: www.chipsmall.com

Address: A1208, Overseas Decoration Building, #122 Zhenhua RD., Futian, Shenzhen, China

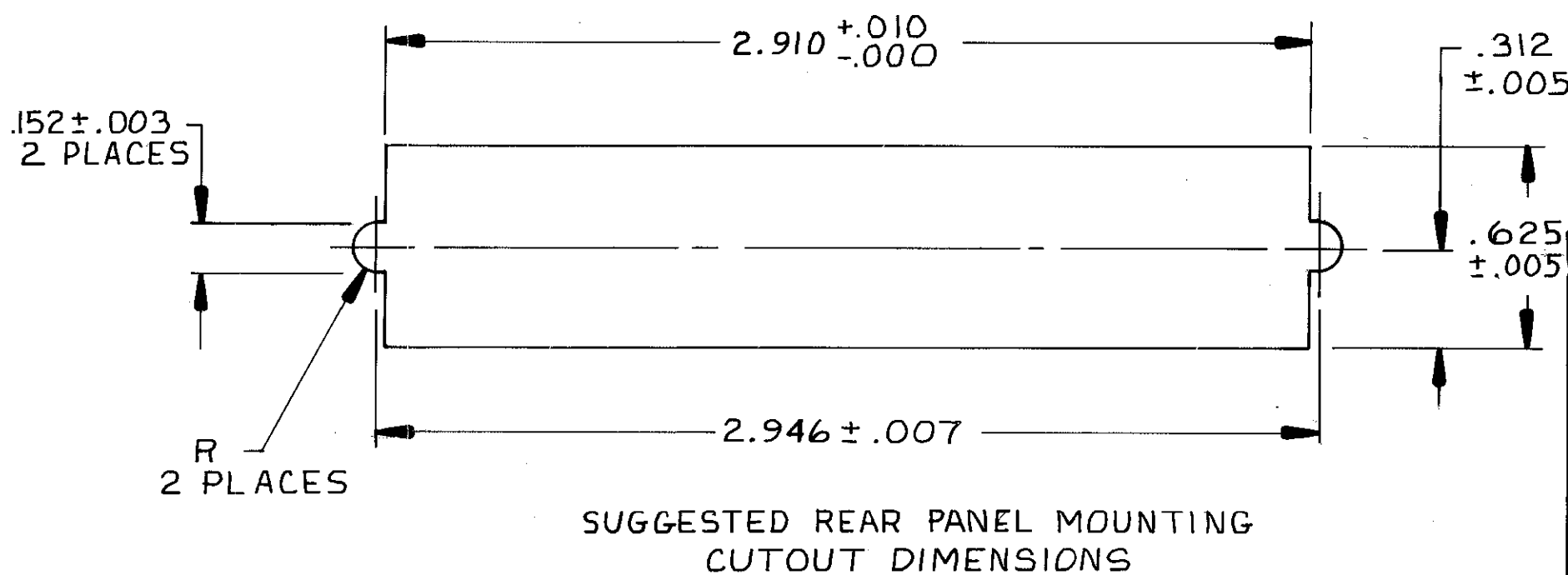
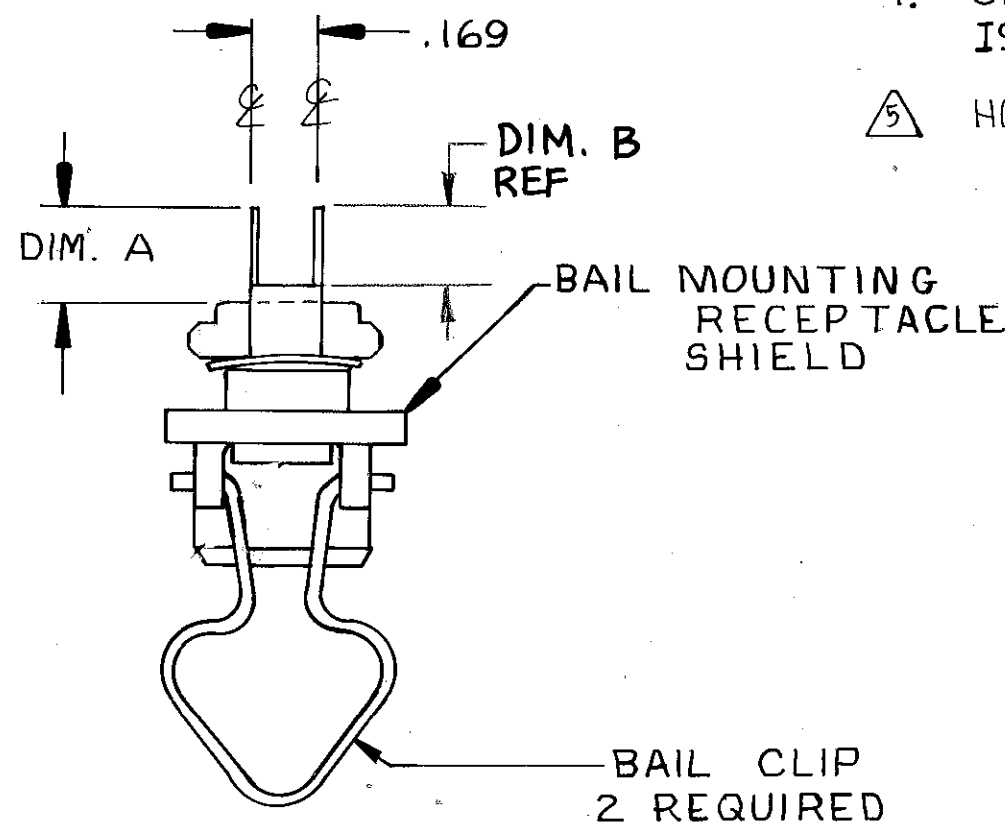
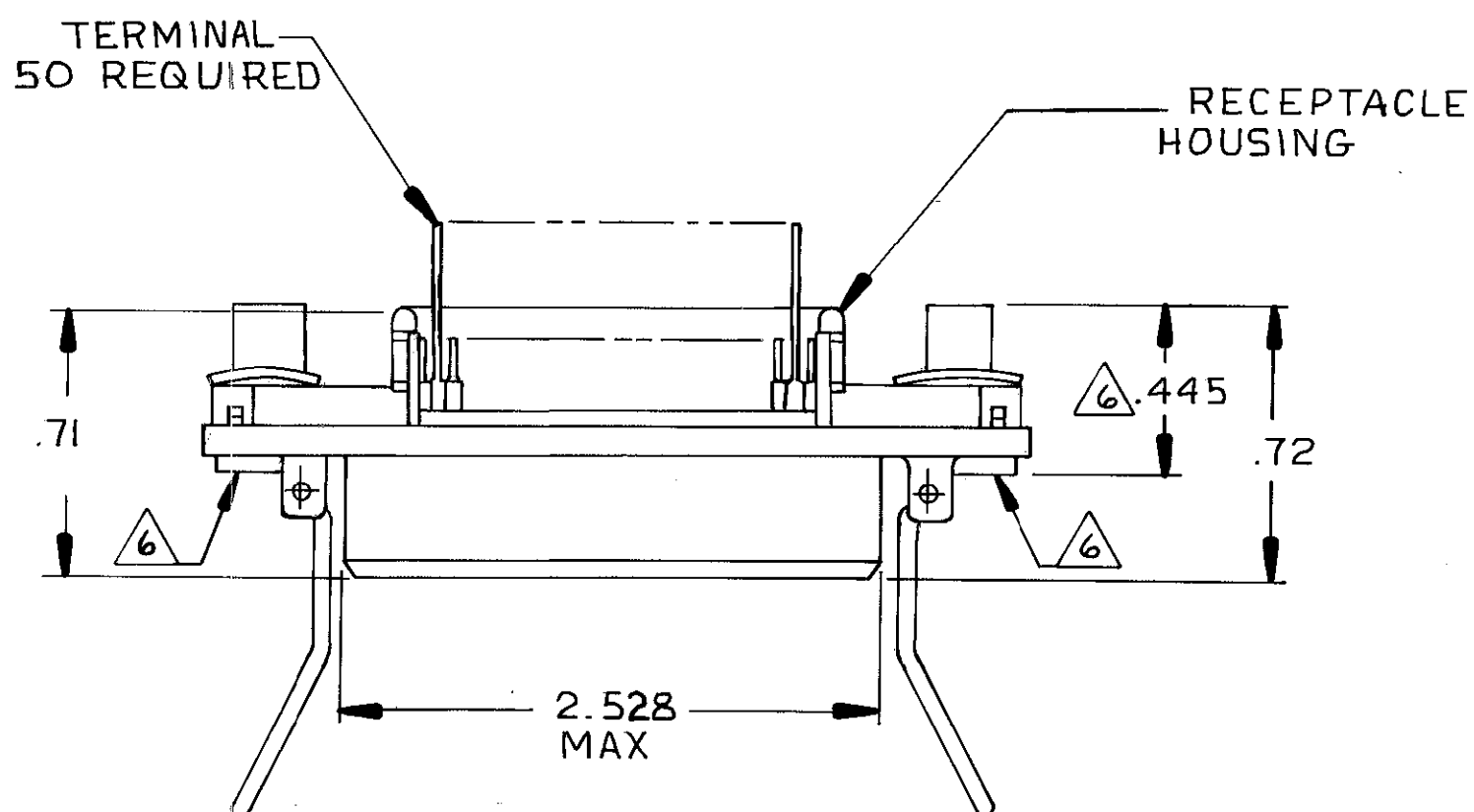


THIS DRAWING IS UNPUBLISHED. RELEASED FOR PUBLICATION, 19  
 © COPYRIGHT 19 BY AMP INCORPORATED, HARRISBURG, PA. ALL INTERNATIONAL RIGHTS RESERVED. AMP PRODUCTS MAY BE COVERED BY U.S. AND FOREIGN PATENTS AND/OR PATENTS PENDING.

REVISIONS				DATE	APPROVED
P	F	ZONE	LTR	DESCRIPTION	
				N REVISED; EC QUIC-0072-01	5-11-01 DD EB



1. THE CONTACT SURFACES OF THE TERMINALS ARE COATED WITH LUBRICANT.
  2. ALL DIMENSIONS SHOWN ARE FOR REFERENCE ONLY UNLESS OTHERWISE SPECIFIED.
  3. MATERIAL: HOUSING-THERMOPLASTIC, BLACK. TERMINAL TAILS-TIN LEAD OVER NICKEL PLATED HIGH STRENGTH COPPER ALLOY. MATING SURFACE-GOLD OVER NICKEL PLATED HIGH STRENGTH COPPER ALLOY. STUD RECEIVER-STAINLESS STEEL. BAIL CLIP-STAINLESS STEEL. SHIELD-NICKEL PLATED DIE CASTING.
  4. CENTER-TO-CENTER SPACING OF TERMINALS IS .085.
5. HOLES TO BE TAPPED AFTER PLATING.



.232 + THICKNESS	PANEL SIDE	.197 + THICKNESS	PCB SIDE
RECOMMENDED HARDWARE FOR SCSI (PAN HEAD SCREW LENGTH)			

4-40	.185	.20	554216-4
UNC-2B	.120	.135	554216-3
HOLE SIZE	DIM. B	DIM. A	PART NO

UNLESS OTHERWISE SPECIFIED DIMENSIONS ARE IN INCHES. TOLERANCES ON: DECIMALS ± _____ ANGLES ± _____	CONTRACT NO	<b>AMP</b>   AMP INCORPORATED Harrisburg, Pa. 17105	
	DR <i>J.C. Beck</i> 6/7/83		
MATERIAL	CHK <i>MD Friel</i> 6-17-83	NAME RECEPTACLE ASSEMBLY, 50 POSITION, VERTICAL MOUNTING, SHIELDED, BAIL LOCK	
	APPD <i>J. May</i> 7/1/83	SIZE <b>C</b>	FSCM NO <b>00779</b>
FINISH	APPD <i>No. Klutnick</i> 7/1/83	DRAWING NO <b>554216</b>	
	DSGN APPD	SCALE 2:1	SHEET 1 OF 1
	OTHER APPD		

554216