



Chipsmall Limited consists of a professional team with an average of over 10 year of expertise in the distribution of electronic components. Based in Hongkong, we have already established firm and mutual-benefit business relationships with customers from,Europe,America and south Asia,supplying obsolete and hard-to-find components to meet their specific needs.

With the principle of “Quality Parts,Customers Priority,Honest Operation,and Considerate Service”,our business mainly focus on the distribution of electronic components. Line cards we deal with include Microchip,ALPS,ROHM,Xilinx,Pulse,ON,Everlight and Freescale. Main products comprise IC,Modules,Potentiometer,IC Socket,Relay,Connector.Our parts cover such applications as commercial,industrial, and automotives areas.

We are looking forward to setting up business relationship with you and hope to provide you with the best service and solution. Let us make a better world for our industry!



## Contact us

Tel: +86-755-8981 8866 Fax: +86-755-8427 6832

Email & Skype: info@chipsmall.com Web: www.chipsmall.com

Address: A1208, Overseas Decoration Building, #122 Zhenhua RD., Futian, Shenzhen, China



DRAWING MADE IN THIRD ANGLE PROJECTION

3

2

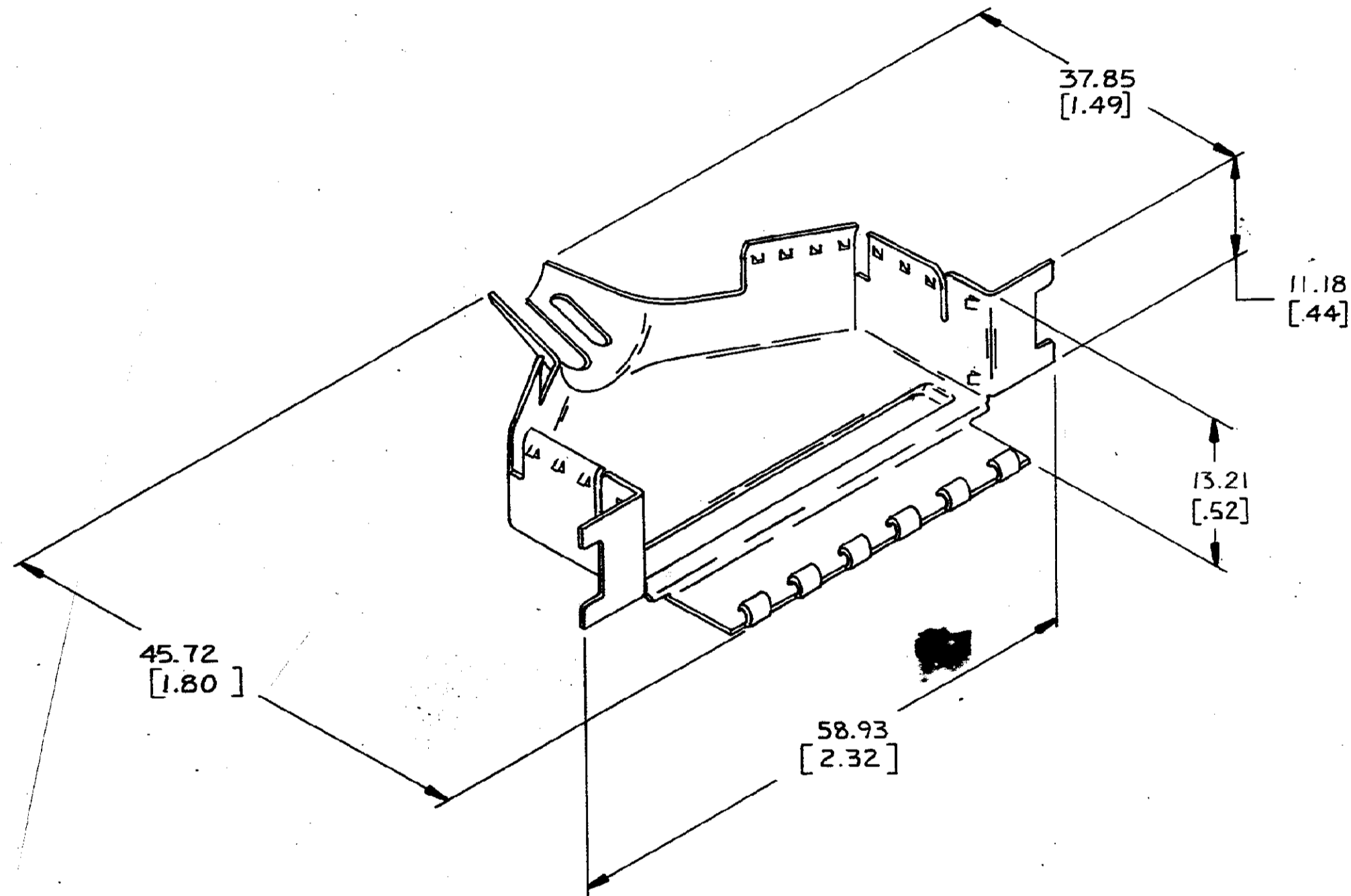
1

LOC DIST  
AA 15/2

THIS DRAWING IS UNPUBLISHED. RELEASED FOR PUBLICATION 19  
 © COPYRIGHT 19 BY AMP INCORPORATED, HARRISBURG, PA. ALL INTERNATIONAL RIGHTS RESERVED. AMP PRODUCTS MAY BE COVERED BY U.S. AND FOREIGN PATENTS AND/OR PATENTS PENDING.

REVISIONS					
P	F	ZONE	DESCRIPTION	DATE	APPROVED
A		A	REVISED PER ECN AA-450	1-12-81	PAC AH

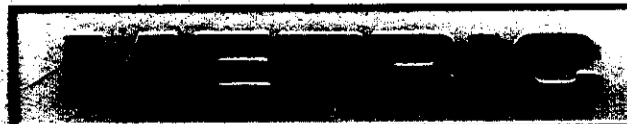
1. DIMENSIONS IN BRACKETS [ ] ARE IN INCHES.
2. CABLE RANGE: .250-.500 DIA



554254-1 AS SHOWN

PART NO

UNLESS OTHERWISE SPECIFIED DIMENSIONS ARE IN MM TOLERANCES ON: DECIMALS .05 ANGLES .5	CONTRACT NO	AMP   AMP INCORPORATED Harrisburg, Pa. 17105	
	DR <i>J. Dunbar</i> 9-9-83	NAME	
	CHK <i>MD</i> 9-9-83	SHIELD, INSIDE, EMI, 180°, PLUG, 36 POSITION, BAIL LOCK	
	MATERIAL CARBON STEEL	APPD <i>W. H. H. H.</i> 2/13/83 APPD <i>J. G. H.</i> 9/13/83	SIZE
FINISH BRIGHT NICKEL PLATE	DSGN APPD	C 00779	554254
	OTHER APPD	SCALE 2:1	SHEET 1 OF 1



CUSTOMER DRAWING

554254