



Chipsmall Limited consists of a professional team with an average of over 10 year of expertise in the distribution of electronic components. Based in Hongkong, we have already established firm and mutual-benefit business relationships with customers from,Europe,America and south Asia,supplying obsolete and hard-to-find components to meet their specific needs.

With the principle of “Quality Parts,Customers Priority,Honest Operation,and Considerate Service”,our business mainly focus on the distribution of electronic components. Line cards we deal with include Microchip,ALPS,ROHM,Xilinx,Pulse,ON,Everlight and Freescale. Main products comprise IC,Modules,Potentiometer,IC Socket,Relay,Connector.Our parts cover such applications as commercial,industrial, and automotives areas.

We are looking forward to setting up business relationship with you and hope to provide you with the best service and solution. Let us make a better world for our industry!



Contact us

Tel: +86-755-8981 8866 Fax: +86-755-8427 6832

Email & Skype: info@chipsmall.com Web: www.chipsmall.com

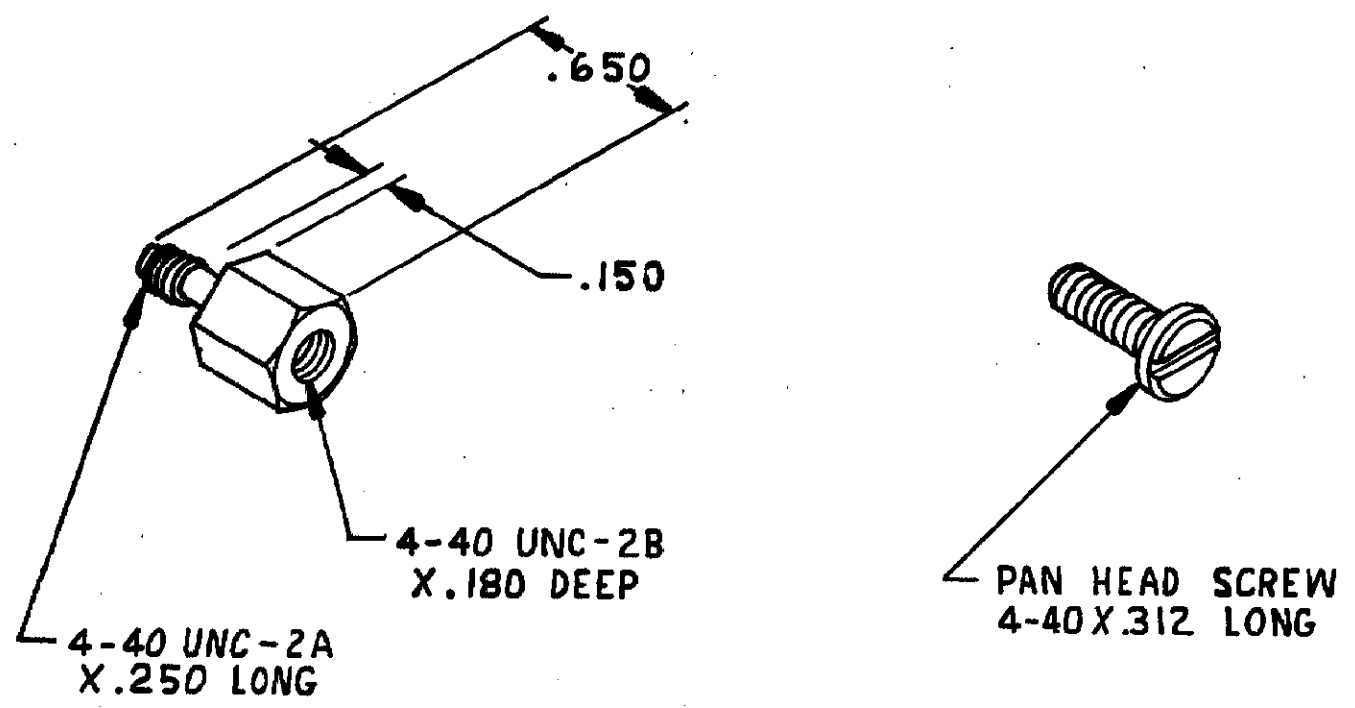
Address: A1208, Overseas Decoration Building, #122 Zhenhua RD., Futian, Shenzhen, China



THIS DRAWING IS UNPUBLISHED. RELEASED FOR PUBLICATION . 19 .
 © COPYRIGHT 19 BY AMP INCORPORATED, HARRISBURG, PA. ALL INTERNATIONAL RIGHTS RESERVED. AMP PRODUCTS MAY BE COVERED BY U.S. AND FOREIGN PATENTS AND/OR PATENTS PENDING.

AA 15/2

REVISIONS						
P	F	ZONE	LTR	DESCRIPTION	DATE	APPROVED
B			B	REV ECN AA-3022	8-29-86	VS



1. ALL DIMENSIONS SHOWN ARE FOR REFERENCE ONLY UNLESS OTHERWISE SPECIFIED.
2. TWO PIECES OF EACH REQUIRED PER KIT.
3. ALL HARDWARE SHIPPED UNASSEMBLED.
- 4 MATERIAL: MOUNTING STUD-ZINC PLATE WITH YELLOW CHROMATE OVER STEEL. PAN HEAD SCREW-PASSIVATED STAINLESS STEEL.

554272-1 AS SHOWN

UNLESS OTHERWISE SPECIFIED DIMENSIONS ARE IN INCHES. TOLERANCES ON: DECIMALS ± ANGLES ±		CONTRACT NO		PART NO	
MATERIAL		DR <i>N. Whiteheart</i>		AMP AMP INCORPORATED Harrisburg, Pa.	
FINISH		CHK <i>MDriel 8-22-83</i>		NAME HARDWARE KIT, EMI, PRE-ASSEMBLED, RIGHT ANGLE, 4-40, SCREW LOCK	
		APPR <i>SNY 8-22-83</i>		SIZE B	FSCM NO 00779
		APPR <i>SNY 8-22-83</i>		DRAWING NO 554272	
		DSGN APPD		SCALE 2:1	
		OTHER APPD		SHEET 1 OF 1	