



Chipsmall Limited consists of a professional team with an average of over 10 year of expertise in the distribution of electronic components. Based in Hongkong, we have already established firm and mutual-benefit business relationships with customers from,Europe,America and south Asia,supplying obsolete and hard-to-find components to meet their specific needs.

With the principle of “Quality Parts,Customers Priority,Honest Operation,and Considerate Service”,our business mainly focus on the distribution of electronic components. Line cards we deal with include Microchip,ALPS,ROHM,Xilinx,Pulse,ON,Everlight and Freescale. Main products comprise IC,Modules,Potentiometer,IC Socket,Relay,Connector.Our parts cover such applications as commercial,industrial, and automotives areas.

We are looking forward to setting up business relationship with you and hope to provide you with the best service and solution. Let us make a better world for our industry!



Contact us

Tel: +86-755-8981 8866 Fax: +86-755-8427 6832

Email & Skype: info@chipsmall.com Web: www.chipsmall.com

Address: A1208, Overseas Decoration Building, #122 Zhenhua RD., Futian, Shenzhen, China



UMK 22-RELAY Relay Module

Data Sheet 1091A

January 2000

Features

- Compact size, 22.5 mm wide
- 10 amp SPDT contact and 5 amp DPDT rating
- Fixed or pluggable relays
- Single Pole Double Throw (SPDT) and Double Pole Double Throw (DPDT) available
- DIN-rail mounted
- Coil status indication
- Built in damping diode circuit for DC
- Universal foot
- Separation of coil and contact wiring

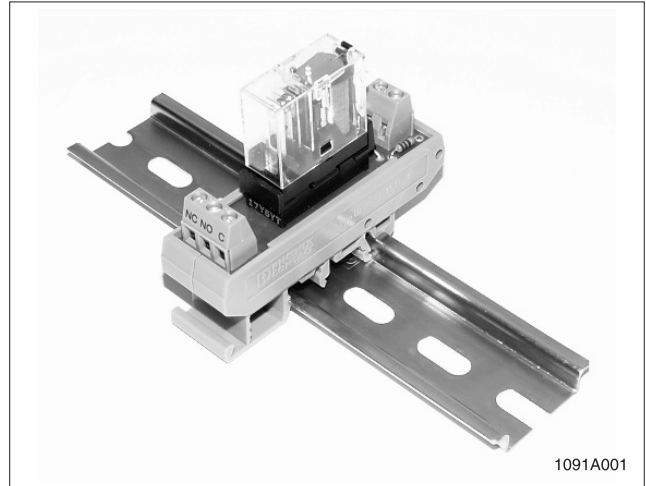


Figure 1. UMK 22-RELAY

Description

The UMK RELAYS are industrial interface relays used in applications where low level control signals must switch high level loads. The DPDT (Double Pole Double Throw) version allows switching of two loads with a single control signal.

With 24 V dc resistive and inductive current ratings of 10 amps, the UMK 22 RELAY is ideal for general purpose relay applications.

The UMK 22 RELAYS are offered in 5 V, 12 V, 24 V, 48 V dc and 120, 230 V ac coil ratings.

Table 1. UMK 22-RELAY Specifications

General Specifications	
Technical Data	
Contact ratings	
Single pole	10 A @ 30 V dc 10 A @ 250 V ac
Double pole	5 A (per contact) @ 250 V ac
Input Coil Voltages	
.....	5 V dc 48 V dc
.....	12 V ac 120 V ac
.....	24 V ac/dc 240 V ac
General	
Maximum wire size30 - 14 AWG
Operating temperature	-20°C to 65°C
Electrical life	5 x 10 ⁶ operations @ maximum rated load
Isolation (coil contact)	5 kV
Dimensions	
Height	1.97 in. (50 mm)
Width	0.87 in. (22 mm)
Depth	3.03 in. (77 mm)

1091A002

UMK 22-REL RELAY Module

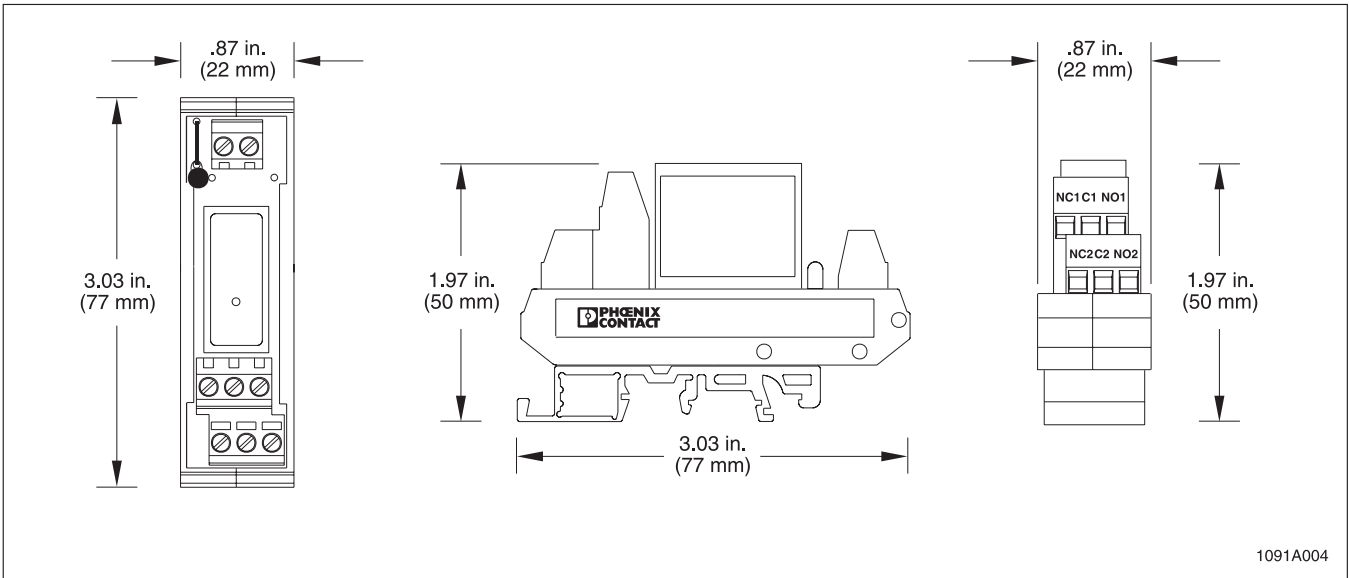


Figure 2. UMK 22-RELAY Dimensions

Ordering Information

Fixed Relays SPDT

UMK 22-REL 5/21	55 42 23 1
UMK 22-REL 12/21	55 42 31 4
UMK 22-REL 24/21	55 42 71 2
UMK 22-REL 48/21	55 42 72 5
UMK 22-REL 120/21	55 43 20 3
UMK 22-REL 240/21	55 43 22 4

Fixed Relays DPDT

UMK 22-REL 5/21-21	55 42 73 8
UMK 22-REL 12/21-21	55 42 74 1
UMK 22-REL 24/21-21	55 42 75 4
UMK 22-REL 24VAC/21-21	55 20 56 9
UMK 22-REL 48/21-21	55 42 76 7
UMK 22-REL 120/21-21	55 43 21 6
UMK 22-REL 240/21-21	55 43 23 2

Pluggable Relays SPDT

UMK 22-REL 24/21-ST	55 20 69 5
UMK 22-REL 120/21-ST	55 20 70 5
UMK 22-REL 120/21-ST-TR*	55 24 23 5

Pluggable Relays DPDT

UMK 22-REL 24/21-21-ST	55 20 73 4
UMK 22-REL 120/21-21-ST	55 20 72 1

* Base incorporates power resistor to dissipate up to 10 mA of leakage current found in most triac circuits.

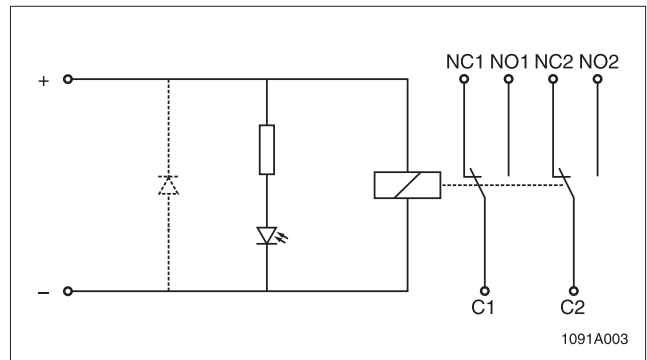


Figure 3. UMK 22-RELAY Block Diagram

Headquarters, U.S.

Phoenix Contact Inc.
P.O. Box 4100
Harrisburg, PA 17111-0100
Technical Support and Information: (800) 322-3225
Fax: (717) 948-3475
Fax-On-Demand: (800) 944-9901
Email: info@phoenixcon.com
Web Site: <http://www.phoenixcontact.com>

Headquarters, Canada

Phoenix Contact Ltd.
235 Watline Avenue
Mississauga, Ontario L4Z 1P3
Phone: (905) 890-2820
Fax: (905) 890-0180

The information given herein is based on data believed to be reliable, but Phoenix Contact Inc. makes no warranties expressed or implied as to the accuracy and assumes no liability arising out of its use by others. This publication is not to be taken as license to operate under, or recommendation to infringe, any patent.