



Chipsmall Limited consists of a professional team with an average of over 10 year of expertise in the distribution of electronic components. Based in Hongkong, we have already established firm and mutual-benefit business relationships with customers from,Europe,America and south Asia,supplying obsolete and hard-to-find components to meet their specific needs.

With the principle of "Quality Parts,Customers Priority,Honest Operation,and Considerate Service",our business mainly focus on the distribution of electronic components. Line cards we deal with include Microchip,ALPS,ROHM,Xilinx,Pulse,ON,Everlight and Freescale. Main products comprise IC,Modules,Potentiometer,IC Socket,Relay,Connector.Our parts cover such applications as commercial,industrial, and automotives areas.

We are looking forward to setting up business relationship with you and hope to provide you with the best service and solution. Let us make a better world for our industry!



Contact us

Tel: +86-755-8981 8866 Fax: +86-755-8427 6832

Email & Skype: info@chipsmall.com Web: www.chipsmall.com

Address: A1208, Overseas Decoration Building, #122 Zhenhua RD., Futian, Shenzhen, China



THIS DRAWING IS UNPUBLISHED. RELEASED FOR PUBLICATION
 © COPYRIGHT BY TYCO ELECTRONICS CORPORATION. ALL RIGHTS RESERVED.

LOC		DIST		REVISIONS			
P	LTR	DESCRIPTION		DATE	DWN	APVD	
GP	00	E		REVISED PER ECO-08-007327	05SEP08	BM WM	

RECEPTACLE TERMINAL
 QUANTITY 50

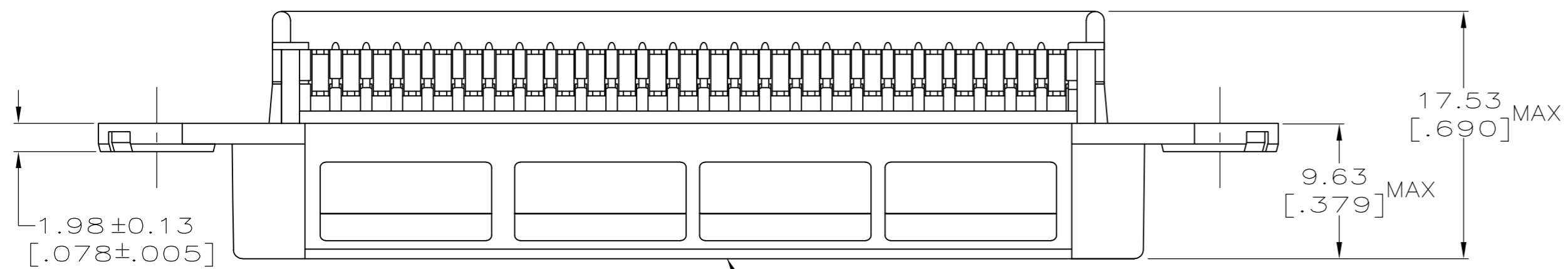
BLUE COLOR DOT
 LOCATED IN CENTER

$\phi 3.18 \pm 0.13$
 $[\ .125 \pm .005]$
 2 HOLES

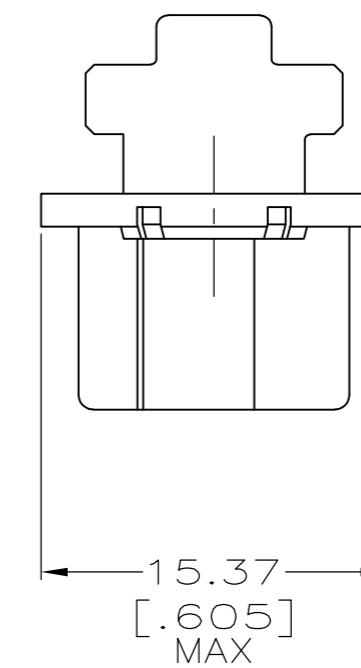
74.83 ± 0.36
 $[2.946 \pm .014]$

83.31
 $[3.280]$

1. MATERIAL: HOUSING - POLYPHENYLENE OXIDE, BLACK. TERMINAL - HIGH STRENGTH COPPER ALLOY PLATED WITH $0.76\mu\text{m}$ $[\ .000030]$ MIN GOLD OR GOLD FLASH OVER PALLADIUM NICKEL PLATE, $0.76\mu\text{m}$ $[\ .000030]$ MIN TOTAL ON MATING SURFACE, $1.27\mu\text{m}$ $[\ .000050]$ MIN NICKEL UNDERPLATE ON ENTIRE CONTACT.
2. THE CONTACT SURFACES OF THE TERMINALS ARE COATED WITH LUBRICANT.
3. WIRE SIZE: 26 AWG SOLID OR 24 AWG 7 STRANDS OF COPPER CONDUCTORS. MAXIMUM INSULATION DIAMETER OF $1.14[\ .045]$ IS ACCEPTABLE FOR MOST APPLICATIONS.

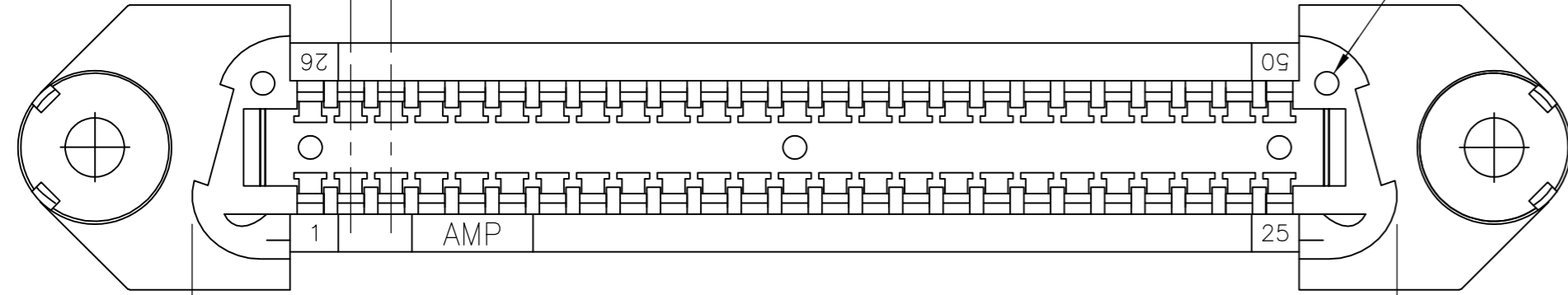


RECEPTACLE HOUSING



OPTIONAL CORE FEATURE
 TYP

2.16 (CENTERS)
 $[.085]$



64.26
 $[2.530]$
 MAX

554342-1
 PART NUMBER

THIS DRAWING IS A CONTROLLED DOCUMENT.		DWN DL DRUMMOND 22AUG2002	Tyco Electronics Corporation Harrisburg, PA 17105-3608	
DIMENSIONS: mm [INCHES]		CHK DL DRUMMOND 22AUG2002		
TOLERANCES UNLESS OTHERWISE SPECIFIED:		APVD RP MCCRAW 26AUG2002	NAME	
0 PLC ± -		PRODUCT SPEC	EMI RECEPTACLE ASSEMBLY, 50 POSITION, SCREW LOCK, B-SLOT, WITH $3.175[\ .125]$ DIAMETER HOLES, CHAMP	
1 PLC ± -		APPLICATION SPEC	SIZE A2	CAGE CODE 00779
2 PLC ± -		WEIGHT -	DRAWING NO C=554342	RESTRICTED TO -
3 PLC ± -		CUSTOMER DRAWING	SCALE 3:1	SHEET 1 OF 1
4 PLC ± -				REV E
ANGLES ± -				
FINISH				