



Chipsmall Limited consists of a professional team with an average of over 10 year of expertise in the distribution of electronic components. Based in Hongkong, we have already established firm and mutual-benefit business relationships with customers from,Europe,America and south Asia,supplying obsolete and hard-to-find components to meet their specific needs.

With the principle of “Quality Parts,Customers Priority,Honest Operation,and Considerate Service”,our business mainly focus on the distribution of electronic components. Line cards we deal with include Microchip,ALPS,ROHM,Xilinx,Pulse,ON,Everlight and Freescale. Main products comprise IC,Modules,Potentiometer,IC Socket,Relay,Connector.Our parts cover such applications as commercial,industrial, and automotives areas.

We are looking forward to setting up business relationship with you and hope to provide you with the best service and solution. Let us make a better world for our industry!



Contact us

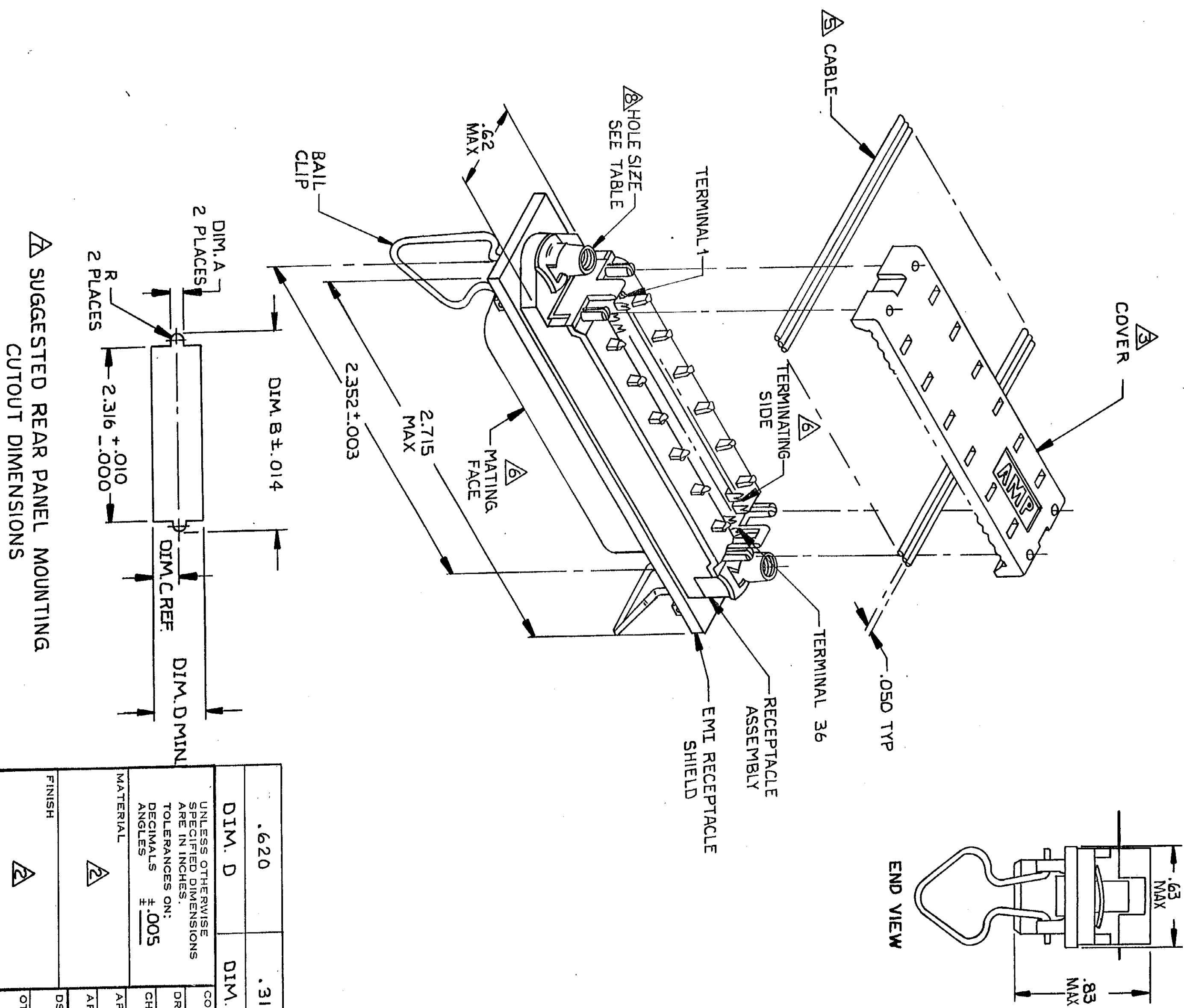
Tel: +86-755-8981 8866 Fax: +86-755-8427 6832

Email & Skype: info@chipsmall.com Web: www.chipsmall.com

Address: A1208, Overseas Decoration Building, #122 Zhenhua RD., Futian, Shenzhen, China



THIS DRAWING IS UNPUBLISHED. RELEASED FOR PUBLICATION
 © COPYRIGHT 1983 BY AMP INCORPORATED, HARRISBURG, PA. ALL INTERNATIONAL RIGHTS RESERVED. AMP PRODUCTS MAY BE COVERED BY U.S. AND FOREIGN PATENTS AND/OR PATENTS PENDING.



△ SUGGESTED REAR PANEL MOUNTING CUTOUT DIMENSIONS

REVISIONS		DATE	APPROVED
P	F	DESCRIPTION	
G		0850LEETE-1; ECN AA-6958	11-9-91 LKS AH

1. THE CONTACT SURFACES OF THE TERMINALS ARE COATED WITH LUBRICANT.
2. MATERIAL: HOUSING & COVER - POLYPHENYLENE OXIDE (BLACK).
 TERMINALS - GOLD OVER NICKEL PLATED HIGH STRENGTH COPPER ALLOY ON MATING FACE & GOLD FLASH OVER NICKEL PLATE ON TERMINATING SIDE.
 EMI SHIELD - NICKEL PLATED DIE CASTING.
 BAIL CLIPS - PASSIVATED STAINLESS STEEL.
 HARDWARE - ZINC PLATED SPRING STEEL.
3. COVER SHOWN LOOSE BUT SHIPPED ASSEMBLED.
4. WIRE RANGE: 26 AWG SOLID THRU 30 AWG SOLID AND 28 AWG STRANDED RIBBON CABLE.
5. FLAT CABLE SHALL BE FURNISHED BY CUSTOMER.
6. MATING FACE CONSISTS OF TWO ROWS OF TERMINALS ON .085 CENTERS. TERMINATING SIDE CONSISTS OF TERMINALS ON .100 CENTERS FOR AN EFFECTIVE .050 TERMINATION.
7. PANEL THICKNESS RANGE: .062 MAX.
8. HOLES TO BE TAPPED AFTER PLATING.

10. FOR MORE INFORMATION REFER TO AMP PRODUCT SPECIFICATION 108-6076 & APPLICATION SPEC 114-6030.

DIM. D		DIM. B		DIM. A		PART NO.	
.620		2.478		.126 ± .003		4-40 UNCL-2B 554346-2	
DIM. C		DIM. B		DIM. A		HOLE SIZE	
.310		2.478		.126 ± .003		UNC-2B	
CONTRACT NO.				AMP			
DR. C. Uetzel 12-8-83				AMP INCORPORATED Harrisburg, Pa. 17105			
CHK. M.D. Fiedel 12-24-83				NAME			
MATERIAL				EMI RECEPTACLE ASSEMBLY, 36 POSITION, LOW PROFILE, SHIELDED, BAIL LOCK, CHAMP LATCH			
FINISH				SIZE			
OTHER APPD				FSCM NO. 00779			
DSGN APPD				DRAWING NO. 554346			
SCALE 2:1				SHEET 1 OF 1			

AMP 1471-7

CUSTOMER DRAWING

554346