



Chipsmall Limited consists of a professional team with an average of over 10 year of expertise in the distribution of electronic components. Based in Hongkong, we have already established firm and mutual-benefit business relationships with customers from,Europe,America and south Asia,supplying obsolete and hard-to-find components to meet their specific needs.

With the principle of “Quality Parts,Customers Priority,Honest Operation,and Considerate Service”,our business mainly focus on the distribution of electronic components. Line cards we deal with include Microchip,ALPS,ROHM,Xilinx,Pulse,ON,Everlight and Freescale. Main products comprise IC,Modules,Potentiometer,IC Socket,Relay,Connector.Our parts cover such applications as commercial,industrial, and automotives areas.

We are looking forward to setting up business relationship with you and hope to provide you with the best service and solution. Let us make a better world for our industry!



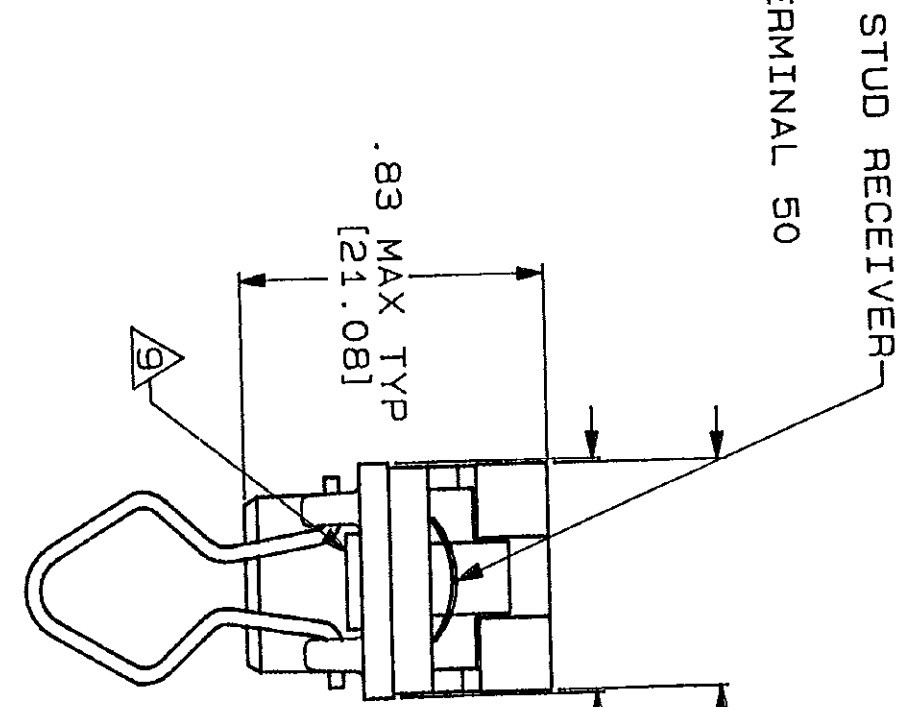
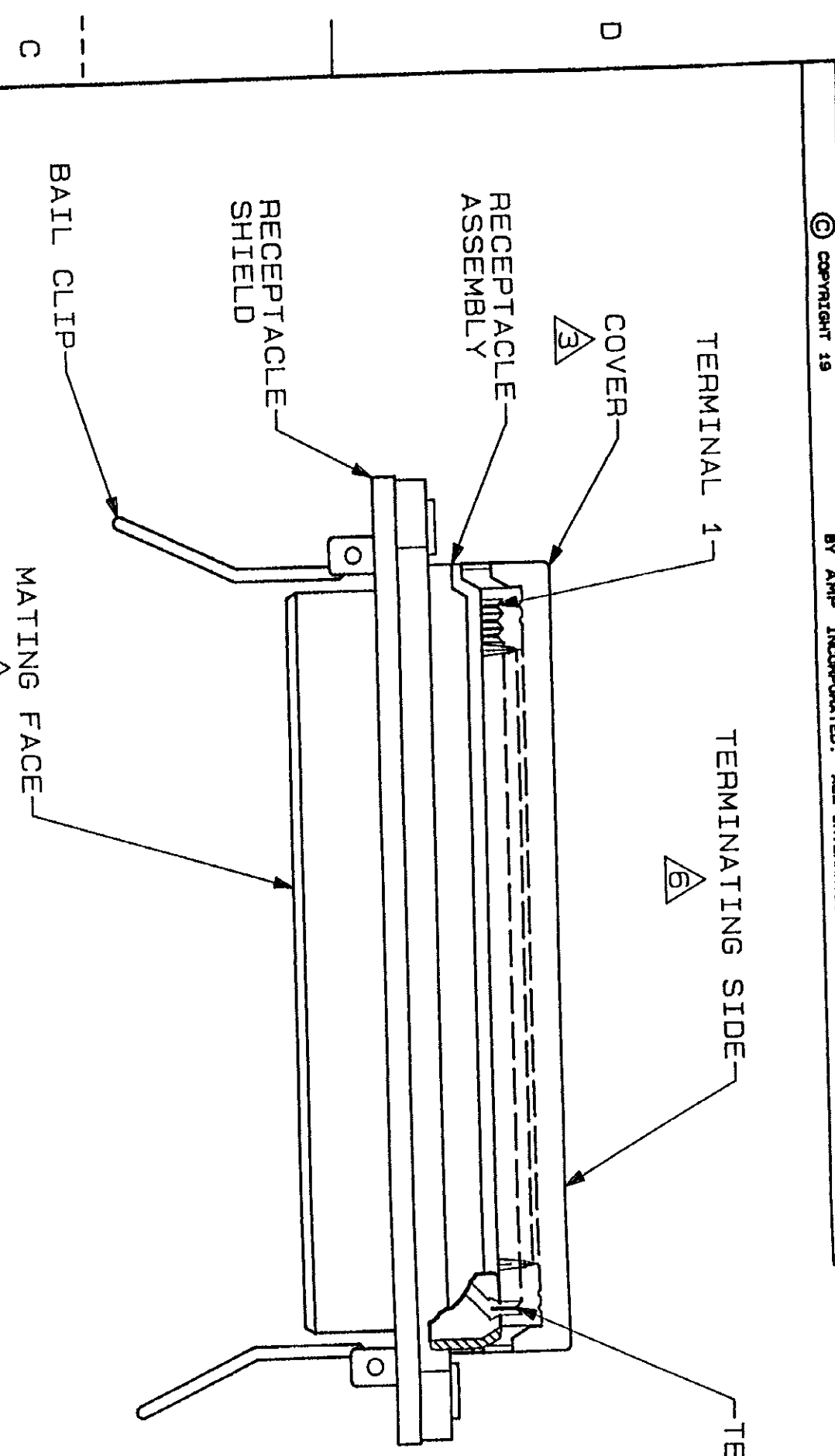
## Contact us

Tel: +86-755-8981 8866 Fax: +86-755-8427 6832

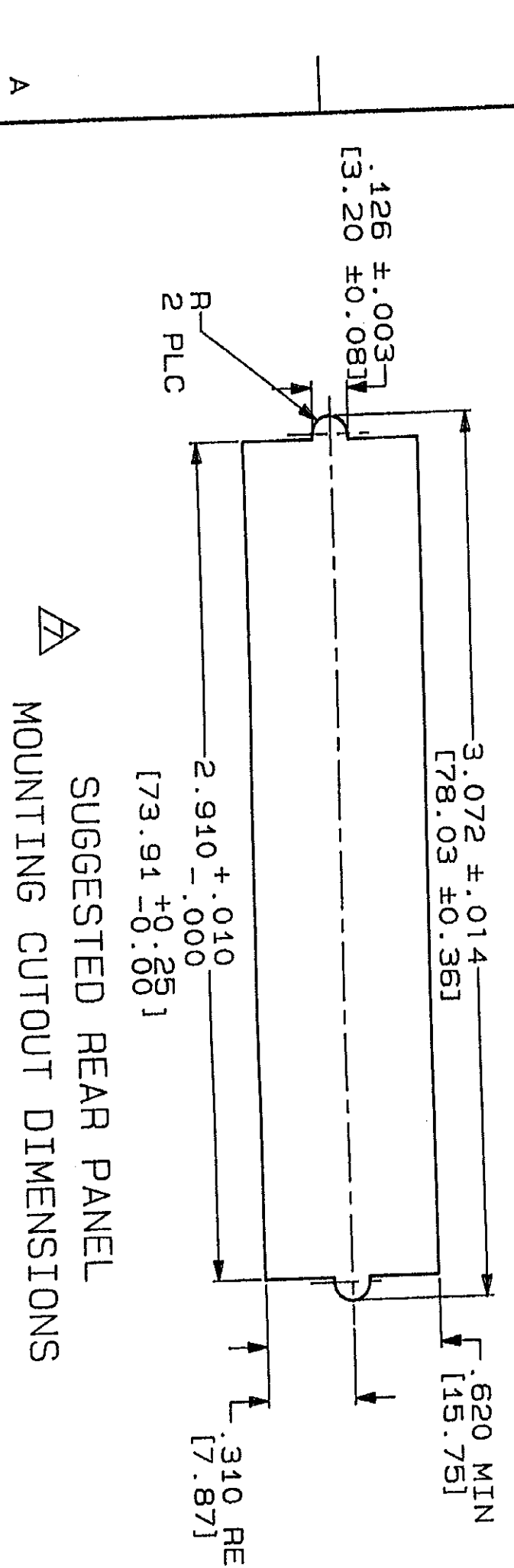
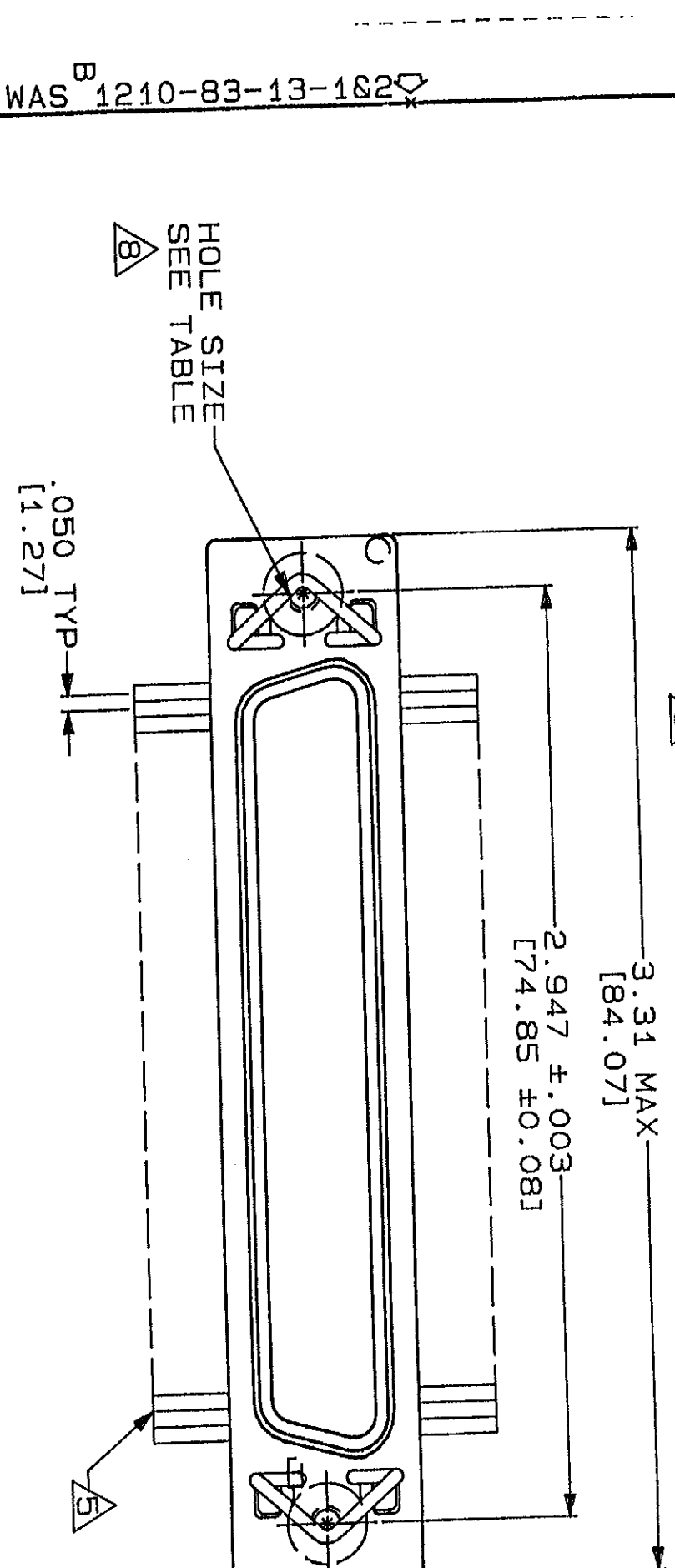
Email & Skype: info@chipsmall.com Web: www.chipsmall.com

Address: A1208, Overseas Decoration Building, #122 Zhenhua RD., Futian, Shenzhen, China





END VIEW  
554347-2



SUGGESTED REAR PANEL  
MOUNTING CUTOUT DIMENSIONS

LOC	DIST	REV	ZONE	TR	DESCRIPTION	DATE	APPD
AA	20	REV 8			REDMN: EC0140-8874-92	10-11-92	DE 97

1. THE CONTACT SURFACES OF THE TERMINALS ARE COATED WITH LUBRICANT.  
 MATERIAL: HOUSING AND COVER- POLYPHENYLENE OXIDE, BLACK TERMINALS-.000030 [0.76µm] MINIMUM THICK GOLD IN LOCALIZED AREA OVER .000050 [1.27µm] MINIMUM THICK NICKEL PLATED HIGH STRENGTH COPPER ALLOY.  
 EMI SHIELD- NICKEL PLATED DIE CASTING.  
 BAIL CLIPS- PASSIVATED STAINLESS STEEL.  
 STUD RECEIVER- ZINC PLATED SPRING STEEL FOR 554347-2 ONLY.
2. COVER SHOWN PREASSEMBLED.
3. WIRE RANGE: 26 AWG SOLID THRU 30 AWG SOLID AND 28 AWG STRANDED RIBBON CABLE FLAT CABLE SHALL BE FURNISHED BY CUSTOMER.
4. MATING FACE CONSISTS OF TWO ROWS OF TERMINALS ON .085 [2.16] CENTERS. TERMINATING SIDE CONSISTS OF TERMINALS ON .100 [2.54] CENTERS FOR AN EFFECTIVE .050 [1.27] TERMINATION.
5. PANEL THICKNESS RANGE: .062 [1.57] MAX.
6. HOLES ARE TAPPED AFTER PLATING.
7. BOSS FEATURE APPLIES TO -2 ONLY.
8. ALL DIMENSIONS SHOWN IN BRACKETS [ ] ARE IN MILLIMETERS.

DR	CHK	APPD	PRODUCT SPEC	APPLICATION SPEC	WEIGHT
12-11-92	12-21-92	12-21-92	108-6076	114-6030	-
D.ESTABROOK/UTA					
B.FOX					
J.TAMMEL					
P.CRAVEN					

WITHOUT	WITH	SHIELD BOSS
M3 X 0.5	4-40 UNC-2B	SHIELD HOLE SIZE
554347-5	554347-2	PART NO

CAD DRAWINGS  
 THIS DRAWING WAS CREATED ON A COMPUTER AIDED DESIGN (CAD) SYSTEM. DATA BASE ALL CHANGES/ REVISIONS MUST BE MADE ON THE CAD SYSTEM.

CAD CUSTOMER DRAWING  
 SCALE 2:1  
 SHEET 1 OF 1