



Chipsmall Limited consists of a professional team with an average of over 10 year of expertise in the distribution of electronic components. Based in Hongkong, we have already established firm and mutual-benefit business relationships with customers from,Europe,America and south Asia,supplying obsolete and hard-to-find components to meet their specific needs.

With the principle of “Quality Parts,Customers Priority,Honest Operation,and Considerate Service”,our business mainly focus on the distribution of electronic components. Line cards we deal with include Microchip,ALPS,ROHM,Xilinx,Pulse,ON,Everlight and Freescale. Main products comprise IC,Modules,Potentiometer,IC Socket,Relay,Connector.Our parts cover such applications as commercial,industrial, and automotives areas.

We are looking forward to setting up business relationship with you and hope to provide you with the best service and solution. Let us make a better world for our industry!



## Contact us

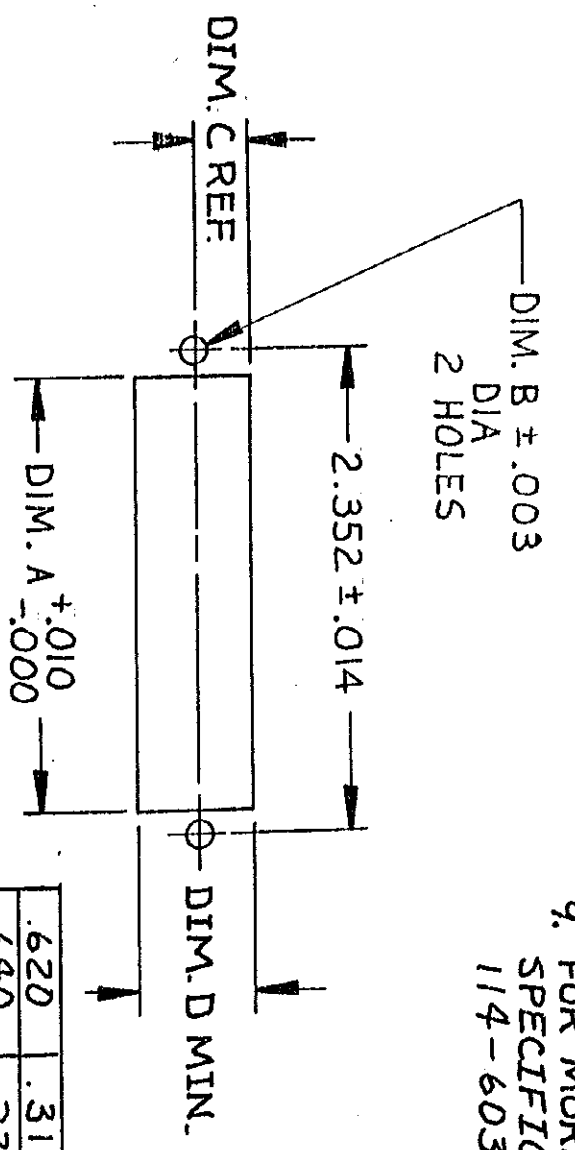
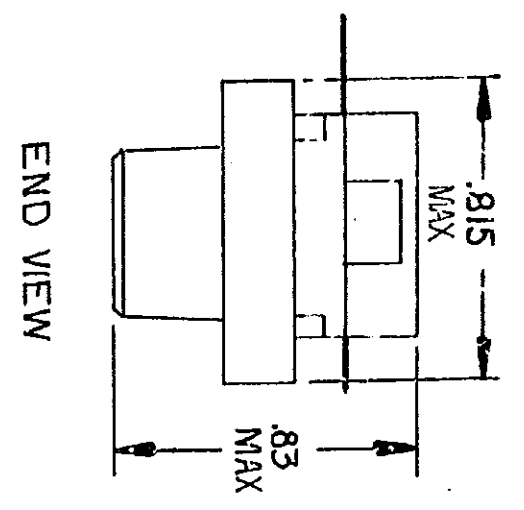
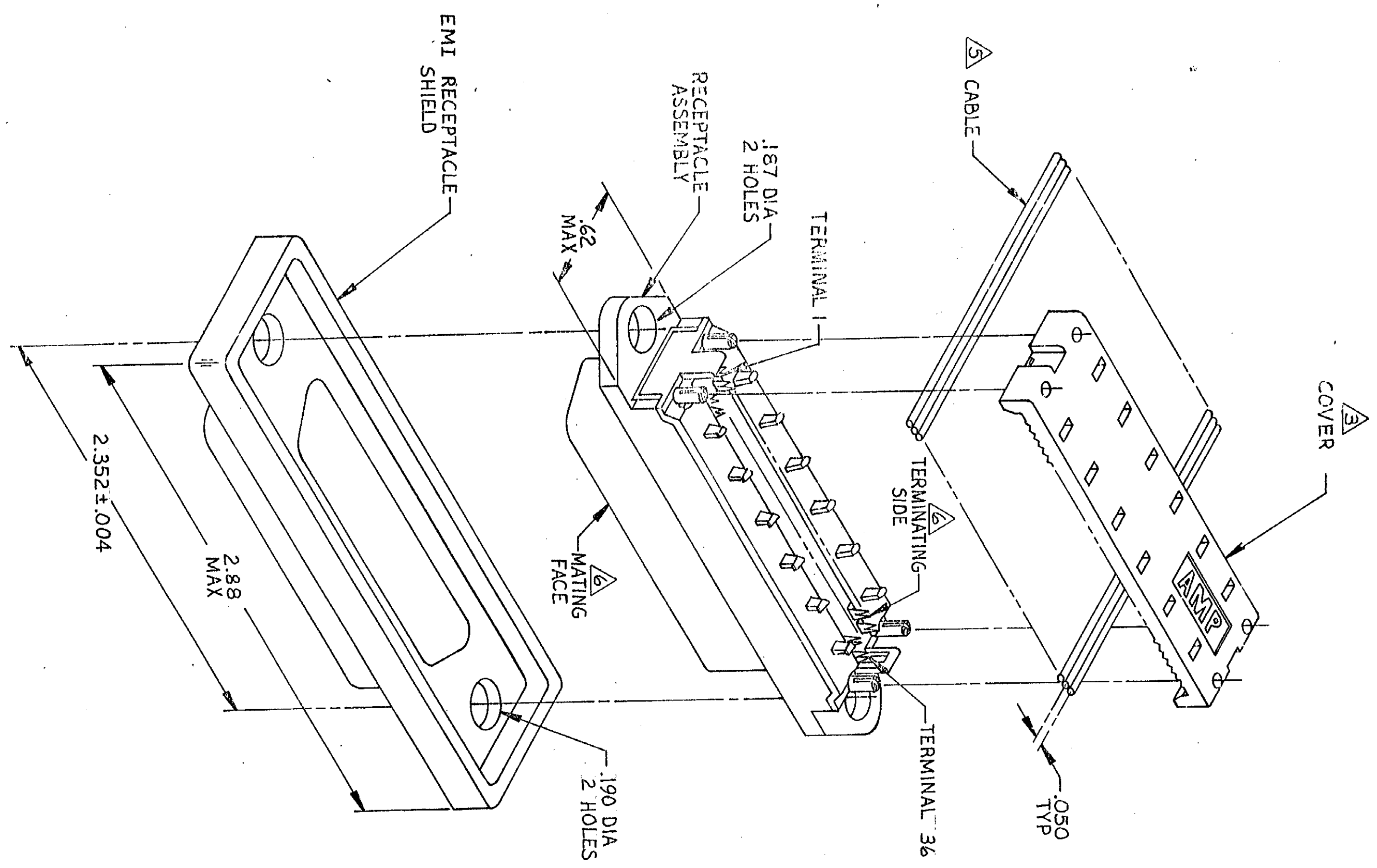
Tel: +86-755-8981 8866 Fax: +86-755-8427 6832

Email & Skype: info@chipsmall.com Web: www.chipsmall.com

Address: A1208, Overseas Decoration Building, #122 Zhenhua RD., Futian, Shenzhen, China



REVISIONS			
P	F	DESCRIPTION	DATE
D	LTR	REV PER ECN AA-3451	7/16/86
			BD
			4



△ SUGGESTED PANEL CUTOUT

554348-1 AS SHOWN

DIM. D	DIM. C	DIM. B	DIM. A	DESCRIPTION
.620	.310	.149	2.085	REAR PANEL MOUNTING
.640	.320	.126	2.000	FRONT PANEL MOUNTING

- 1. THE CONTACT SURFACES OF THE TERMINALS ARE COATED WITH LUBRICANT.
- 2. MATERIAL: HOUSING & COVER - POLYPHENYLENE OXIDE (BLACK)  
TERMINALS - GOLD OVER NICKEL PLATED  
HIGH STRENGTH COPPER ALLOY ON  
MATING FACE & GOLD FLASH OVER NICKEL PLATE ON TERMINATING SIDE.  
EMI SHIELD - NICKEL PLATED DIE CASTING.
- 3. COVER SHOWN LOOSE BUT SHIPPED ASSEMBLED.
- 4. WIRE RANGE: 26 AWG SOLID THRU 30 AWG SOLID AND 28 AWG STRANDED RIBBON CABLE.
- 5. FLAT CABLE SHALL BE FURNISHED BY CUSTOMER.
- 6. MATING FACE CONSISTS OF TWO ROWS OF TERMINALS ON .085 CENTERS. TERMINATING SIDE CONSISTS OF TERMINALS ON 100 CENTERS FOR AN EFFECTIVE .050 TERMINATION.
- 7. PANEL THICKNESS RANGE: OUTSIDE MOUNTING-.125 MAX. INSIDE MOUNTING-.062 MAX.
- 8. EMI SHIELD SHIPPED LOOSE.
- 9. FOR MORE INFORMATION REFER TO AMP PRODUCT SPECIFICATION 108-6076 & APPLICATION SPEC 114-6030.

UNLESS OTHERWISE SPECIFIED DIMENSIONS ARE IN INCHES. TOLERANCES ON: DECIMALS ± .005 ANGLES		CONTRACT NO	AMP INCORPORATED Harrisburg, Pa. 17105
MATERIAL	FINISH	DR	NAME
2	2	M. St. Buehly	EMI RECEPTACLE ASSEMBLY, SHIELDED, CHAMP LATCH
APPD	APPD	CHK	DATE
M. St. Buehly	M. St. Buehly	M. St. Buehly	12-29-83
APPD	APPD	APPD	DATE
J. D. O'Neil	J. D. O'Neil	J. D. O'Neil	11/3/83
SIZE	SCALE	OTHER APPD	
C	2:1		
FSM NO	DRAWING NO	PART NO	
00779	554348	554348	

CUSTOMER DRAWING