



Chipsmall Limited consists of a professional team with an average of over 10 year of expertise in the distribution of electronic components. Based in Hongkong, we have already established firm and mutual-benefit business relationships with customers from,Europe,America and south Asia,supplying obsolete and hard-to-find components to meet their specific needs.

With the principle of "Quality Parts,Customers Priority,Honest Operation,and Considerate Service",our business mainly focus on the distribution of electronic components. Line cards we deal with include Microchip,ALPS,ROHM,Xilinx,Pulse,ON,Everlight and Freescale. Main products comprise IC,Modules,Potentiometer,IC Socket,Relay,Connector.Our parts cover such applications as commercial,industrial, and automotives areas.

We are looking forward to setting up business relationship with you and hope to provide you with the best service and solution. Let us make a better world for our industry!



## Contact us

Tel: +86-755-8981 8866 Fax: +86-755-8427 6832

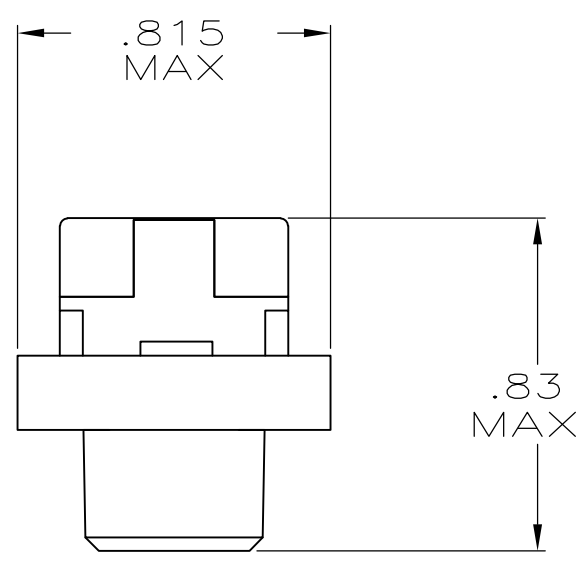
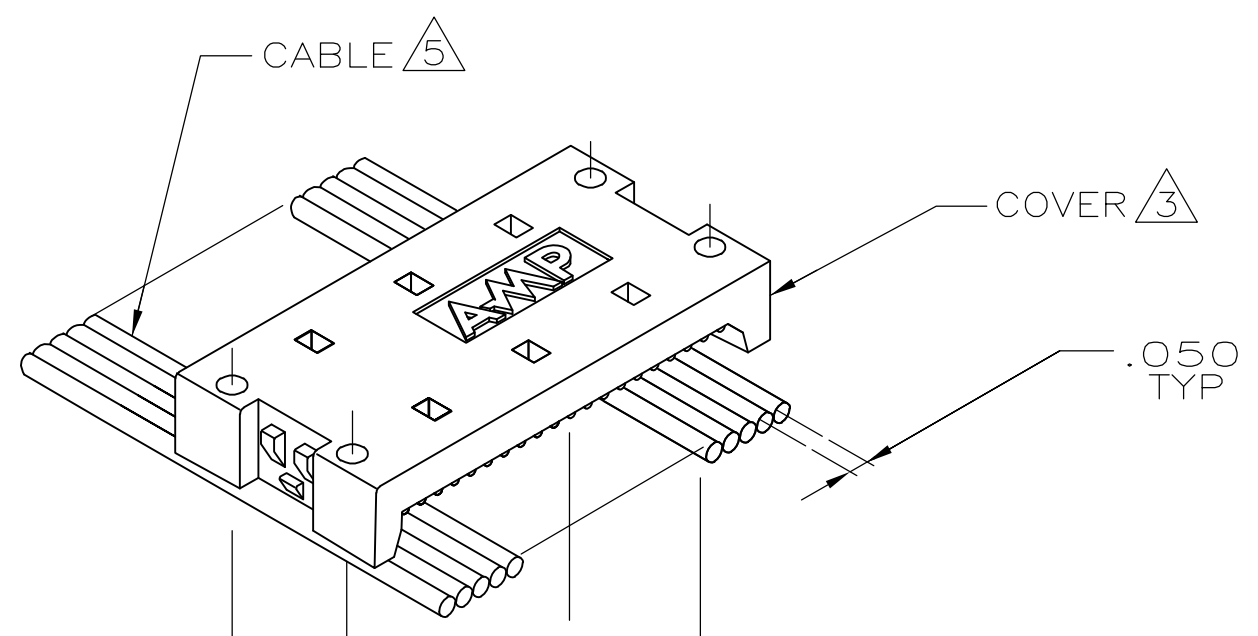
Email & Skype: info@chipsmall.com Web: www.chipsmall.com

Address: A1208, Overseas Decoration Building, #122 Zhenhua RD., Futian, Shenzhen, China

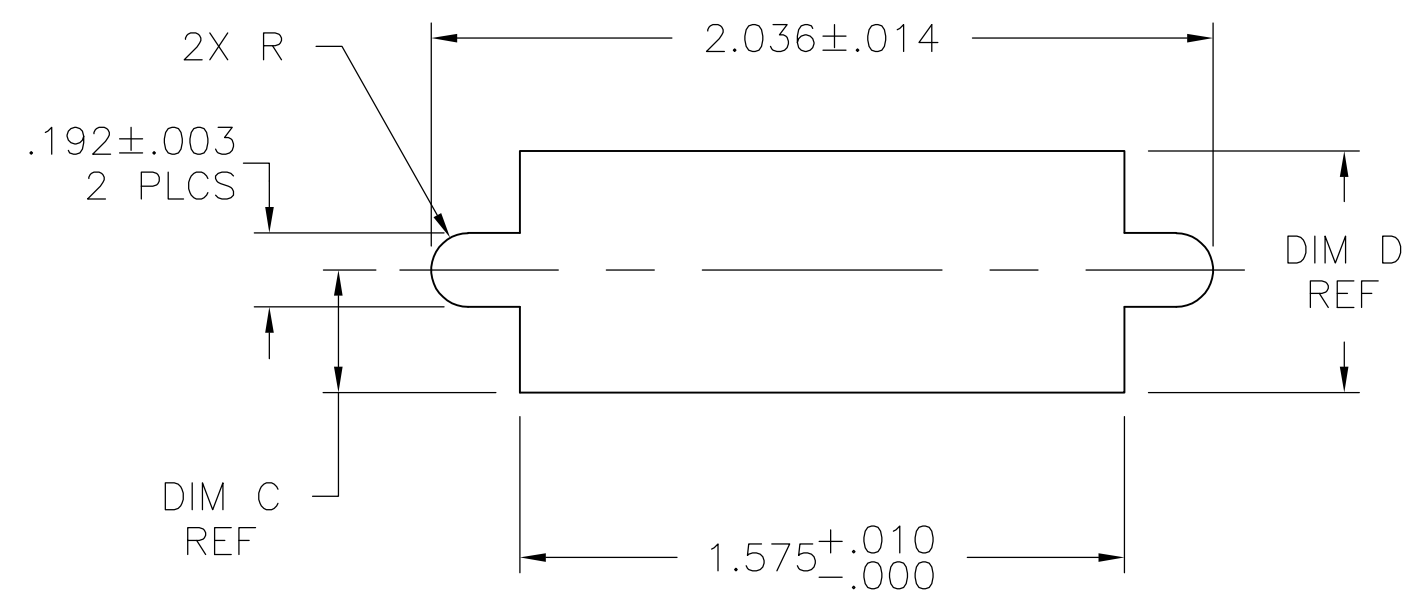
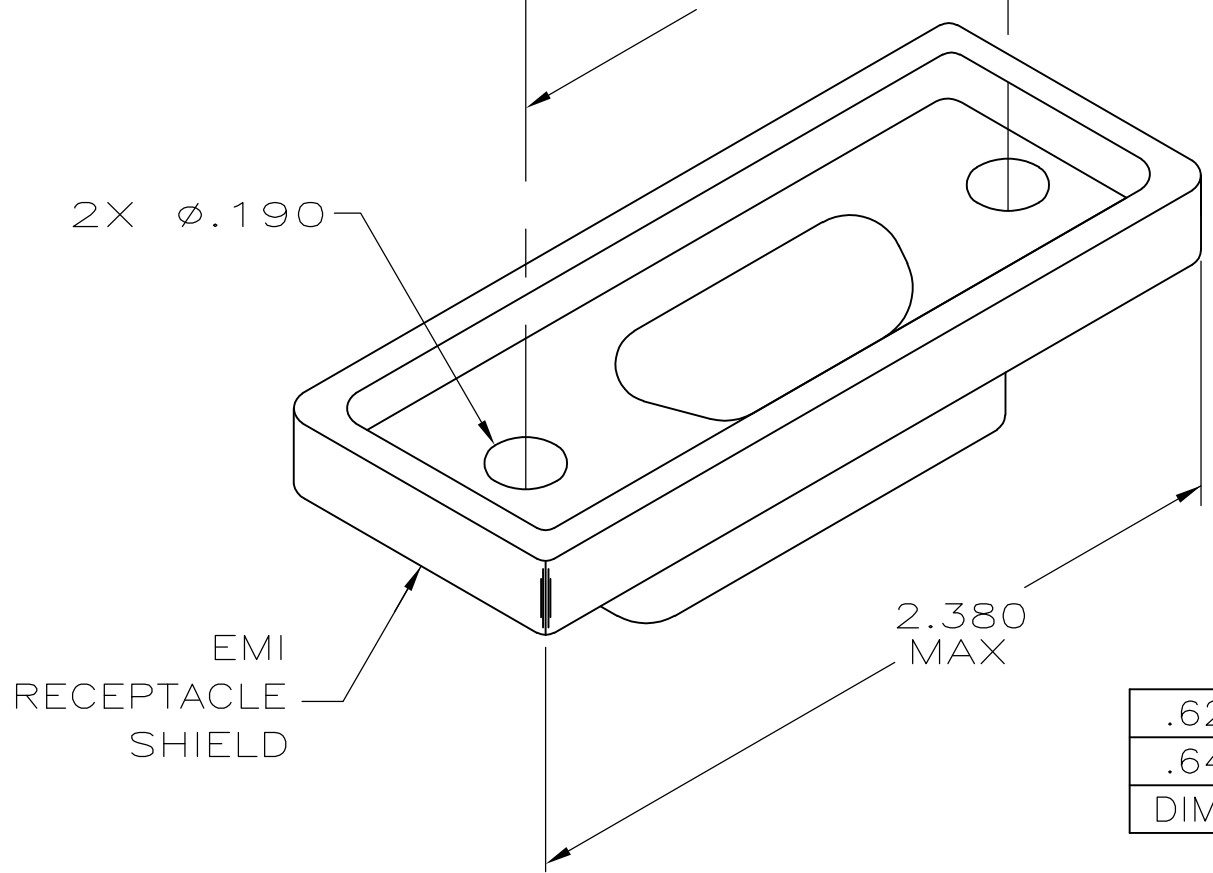
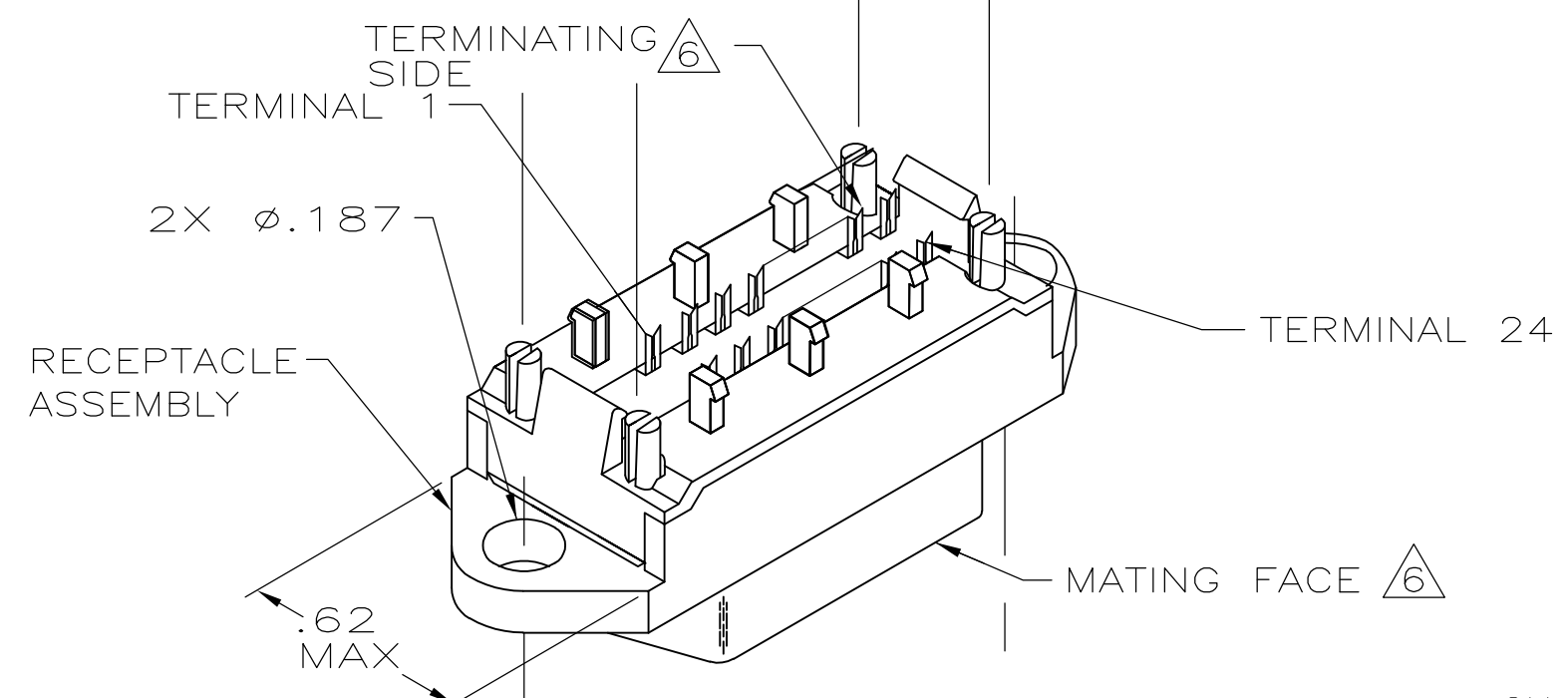


THIS DRAWING IS UNPUBLISHED. RELEASED FOR PUBLICATION  
 © COPYRIGHT BY TYCO ELECTRONICS CORPORATION. ALL RIGHTS RESERVED.

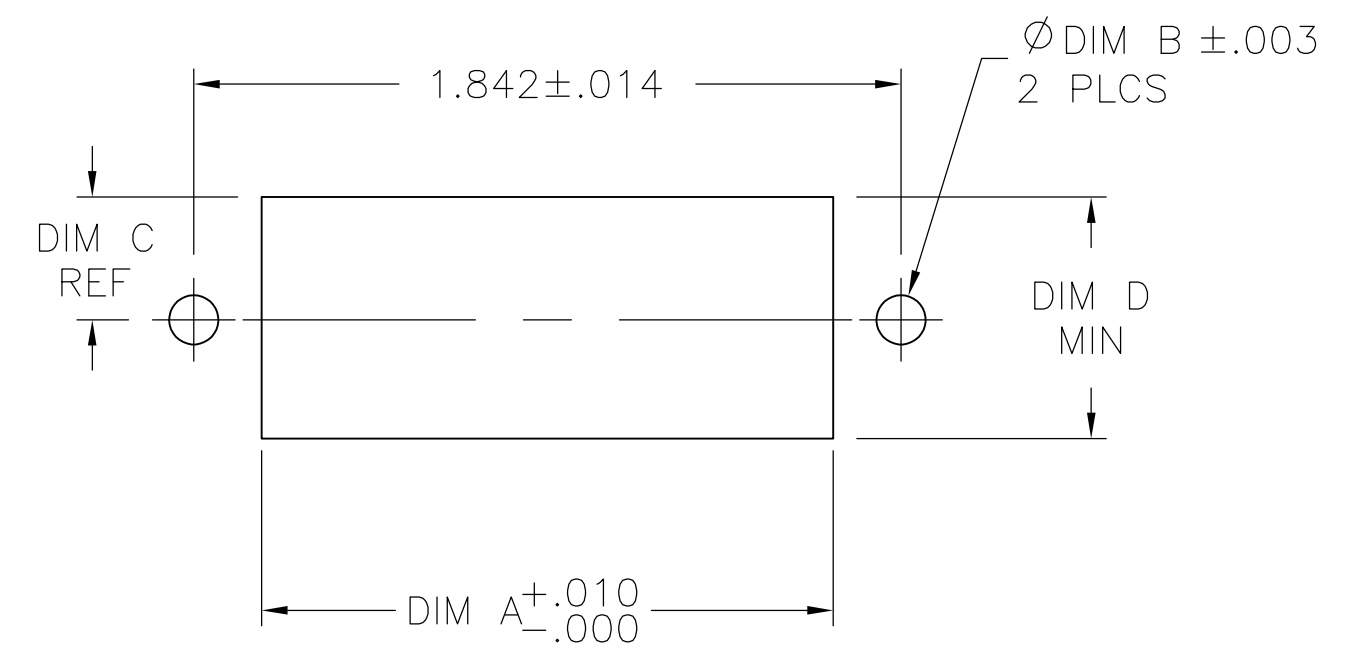
LOC		DIST		REVISIONS			
GP	00	P	LTR	DESCRIPTION	DATE	DWN	APVD
		J		REVISED PER ECO-08-007327	17APR08	BM	WM



END VIEW



SUGGESTED PANEL CUTOUT FOR METRIC HARDWARE  
SCALE 4:1



SUGGESTED PANEL CUTOUT FOR STANDARD HARDWARE  
SCALE 4:1

1. THE CONTACT SURFACES OF THE TERMINALS ARE COATED WITH LUBRICANT.
2. MATERIAL:  
HOUSING & COVER - POLYPHENYLENE OXIDE, BLACK.  
TERMINALS - PHOS BRONZE PLATED WITH EITHER .000030 MINIMUM GOLD PLATE OR GOLD FLASH OVER PALLADIUM NICKEL PLATE, .000030 MIN TOTAL ON MATING SURFACE. GOLD FLASH PLATED ON TERMINATING SIDE. .000050 MINIMUM NICKEL UNDERPLATE OVER ENTIRE TERMINAL.  
EMI SHIELD - NICKEL PLATED DIE CASTING.
3. COVER SHOWN LOOSE BUT SHIPPED ASSEMBLED.
4. WIRE RANGE: 26 AWG SOLID THRU 30 AWG SOLID AND 28 AWG STRANDED RIBBON CABLE.
5. FLAT CABLE SHALL BE FURNISHED BY CUSTOMER.
6. MATING FACE CONSISTS OF TWO ROWS OF TERMINALS ON .085 CENTERS. TERMINATING SIDE CONSISTS OF TERMINALS ON .100 CENTERS FOR AN EFFECTIVE .050 TERMINATION.
7. PANEL THICKNESS RANGE:  
METRIC HARDWARE KIT - INSIDE MOUNTING: .093 MAX.  
OUTSIDE MOUNTING: .125 MAX.  
STANDARD HARDWARE KIT - INSIDE MOUNTING: .062 MAX.  
OUTSIDE MOUNTING: .125 MAX.
8. EMI SHIELD SHIPPED LOOSE.
9. FOR MORE INFORMATION REFER TO AMP PRODUCT SPECIFICATION 108-6076 & APPLICATION SPEC 114-6030.

DIM D	DIM C	DIM B	DIM A	DESCRIPTION
.620	.310	.149	1.575	REAR PANEL MOUNTING
.640	.320	.126	1.488	FRONT PANEL MOUNTING

THIS DRAWING IS A CONTROLLED DOCUMENT.

DWN	Z. REAM	19/MAR/07	Tyco Electronics Corporation Harrisburg, PA 17105-3608			
CHK	W. MILLHIMES	19/MAR/07				
APVD	W. MILLHIMES	19/MAR/07				
PRODUCT SPEC						
APPLICATION SPEC			NAME			
			EMI RECEPTACLE ASSEMBLY, 50 POSITION LOW PROFILE, SHIELDED CHAMP LATCH			
MATERIAL	FINISH	WEIGHT	SIZE	CAGE CODE	DRAWING NO	RESTRICTED TO
2	2	-	A2	00779	C=554349	-
CUSTOMER DRAWING			SCALE	SHEET	REV	
			2:1	1 of 1	J	

554349