



Chipsmall Limited consists of a professional team with an average of over 10 year of expertise in the distribution of electronic components. Based in Hongkong, we have already established firm and mutual-benefit business relationships with customers from,Europe,America and south Asia,supplying obsolete and hard-to-find components to meet their specific needs.

With the principle of “Quality Parts,Customers Priority,Honest Operation,and Considerate Service”,our business mainly focus on the distribution of electronic components. Line cards we deal with include Microchip,ALPS,ROHM,Xilinx,Pulse,ON,Everlight and Freescale. Main products comprise IC,Modules,Potentiometer,IC Socket,Relay,Connector.Our parts cover such applications as commercial,industrial, and automotives areas.

We are looking forward to setting up business relationship with you and hope to provide you with the best service and solution. Let us make a better world for our industry!



Contact us

Tel: +86-755-8981 8866 Fax: +86-755-8427 6832

Email & Skype: info@chipsmall.com Web: www.chipsmall.com

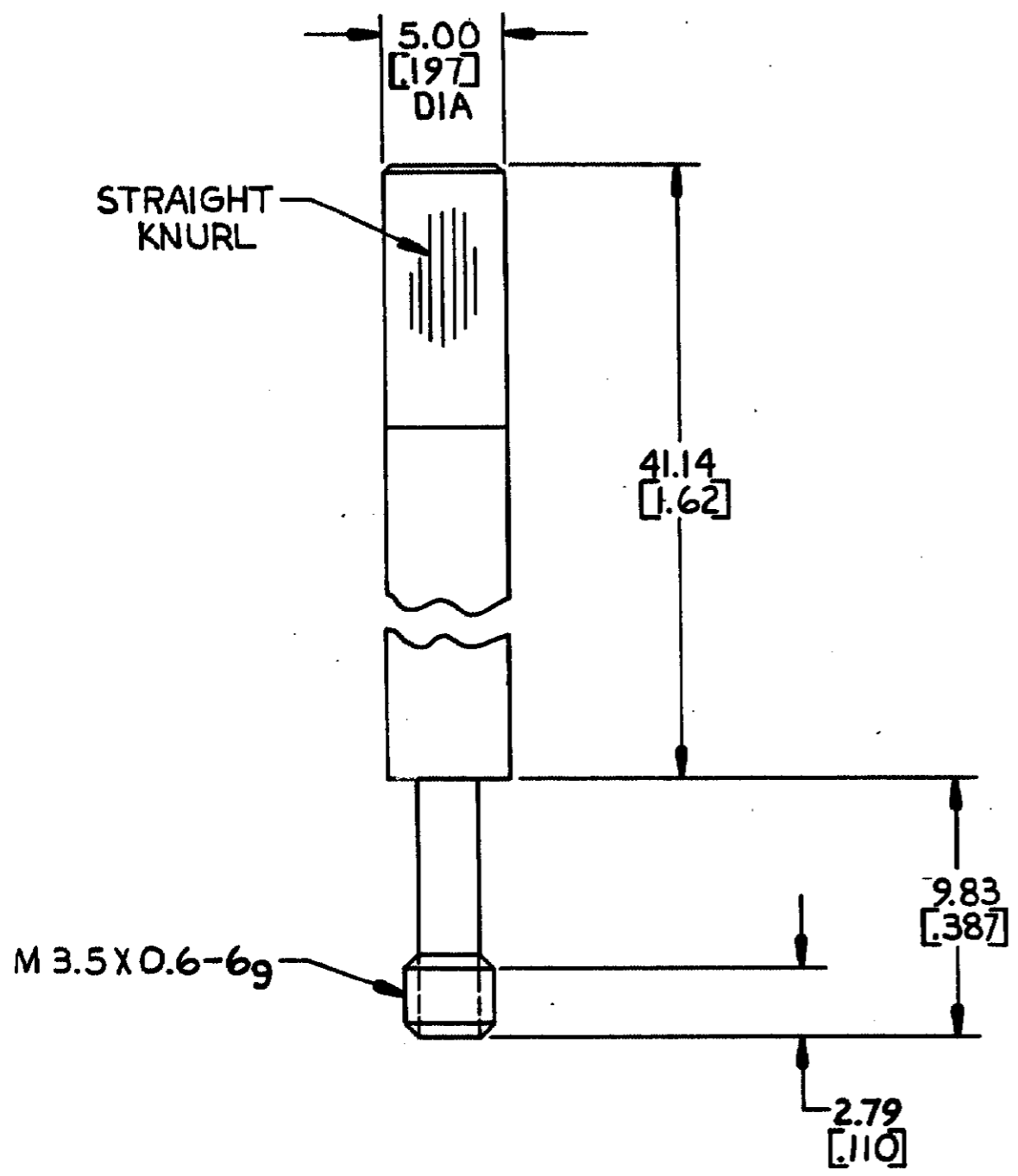
Address: A1208, Overseas Decoration Building, #122 Zhenhua RD., Futian, Shenzhen, China



THIS DRAWING IS UNPUBLISHED. RELEASED FOR PUBLICATION . 19

© COPYRIGHT 19 BY AMP INCORPORATED, HARRISBURG, PA. ALL INTERNATIONAL RIGHTS RESERVED. AMP PRODUCTS MAY BE COVERED BY U.S. AND FOREIGN PATENTS AND/OR PATENTS PENDING.

REVISIONS						
P	F	ZONE	LTR	DESCRIPTION	DATE	APPROVED
4	✓		A	REV: ECN AA-3115	6-26-84	SD



1. DIMENSIONS IN BRACKETS [] ARE IN INCHES.
2. MATERIAL: BLACK OXIDE PLATED CARBON STEEL.
3. ALL DIMENSIONS SHOWN ARE MAXIMUM UNLESS OTHERWISE SPECIFIED.
4. PARTS COATED WITH AMP APPROVED CORROSION PREVENTATIVE.

554411-1 AS SHOWN

METRIC

UNLESS OTHERWISE SPECIFIED DIMENSIONS ARE IN MM TOLERANCES ON: DECIMALS ± .001 ANGLES ± .001		CONTRACT NO	AMP AMP INCORPORATED Harrisburg, Pa.	
MATERIAL	FINISH	DR <i>M. D. Byerly 3/23/84</i>	NAME SCREW, STUD, SHOULDER	
		CHK <i>B. Fox 4-2-84</i>	SIZE B	FSCM NO 00779
		APPD <i>Wm. Reel 4/4/84</i>	DRAWING NO 554411	
		APPD <i>Monell. 4/3/84</i>	SCALE 4:1	SHEET 1 OF 1
		DSGN APPD	PART NO	
		OTHER APPD		

CUSTOMER DRAWING