



Chipsmall Limited consists of a professional team with an average of over 10 year of expertise in the distribution of electronic components. Based in Hongkong, we have already established firm and mutual-benefit business relationships with customers from,Europe,America and south Asia,supplying obsolete and hard-to-find components to meet their specific needs.

With the principle of “Quality Parts,Customers Priority,Honest Operation,and Considerate Service”,our business mainly focus on the distribution of electronic components. Line cards we deal with include Microchip,ALPS,ROHM,Xilinx,Pulse,ON,Everlight and Freescale. Main products comprise IC,Modules,Potentiometer,IC Socket,Relay,Connector.Our parts cover such applications as commercial,industrial, and automotives areas.

We are looking forward to setting up business relationship with you and hope to provide you with the best service and solution. Let us make a better world for our industry!



Contact us

Tel: +86-755-8981 8866 Fax: +86-755-8427 6832

Email & Skype: info@chipsmall.com Web: www.chipsmall.com

Address: A1208, Overseas Decoration Building, #122 Zhenhua RD., Futian, Shenzhen, China





QLK45AC Series Crossflow Blower

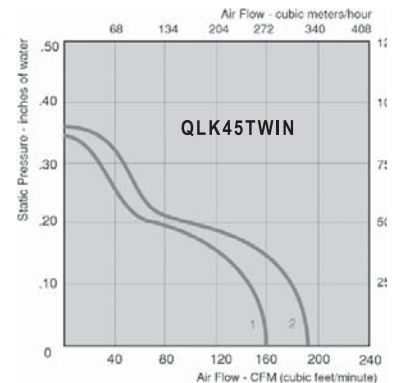
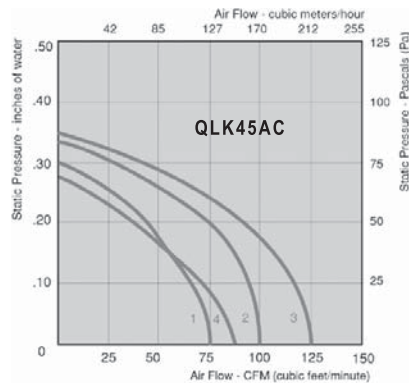
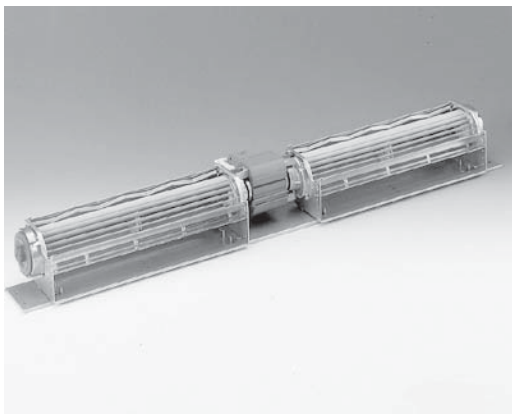
180... 300mm x Ø 45mm

- AC blower with shaded pole motor with sleeve bearings and terminals. Max ambient temperature of 60 C.
- High volume and performance already at a low air velocity, therefore low noise level.
- Fan propeller of aluminum and air duct housing of sheet steel.
- Rotational direction CW looking at rotor.
- UL, CSA, VDE approvals on some models. Please contact application engineering

Part Number	Model Number	Curve	CFM @ 0	VAC	Hertz	Power (W)	dBA	Motor Position	Bobbin Position	Insul. Class
55442.40491	QLK451800A642518L38KN	1	75	115	60	29	50	Right	Front	B
55442.41010	QLK451800A1562518LH26LU	1	75	115	60	29	50	Right	Up	H
55442.45500	QLK450018A1412518LH86LU	1	75	115	60	29	50	Left	Up	H
55442.55062	QLK452400A132524L35KX	2	100	115	60	39	50	Right	Front	B
55442.60082	QLK450024A142524L34KX	2	100	115	60	39	50	Left	Front	B
55442.70170	QLK453000A313030LH115AEP	3	125	115	60	40	53	Right	Up	H
55442.75051	QLK450030A103030L26ZT	3	125	115	60	40	53	Left	Front	B
55442.40765	QLK451800A1172518L72PW	1	75	220/240	50/60	28	50	Right	Front	B
55442.75160	QLK450030A322524L55PY	4	83	230	50/60	24	50	Left	Up	B

QLK45TWIN Series

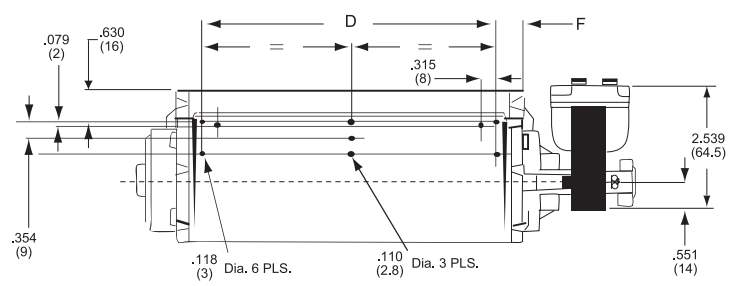
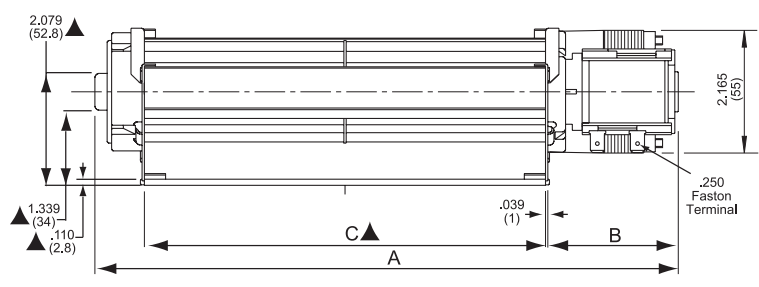
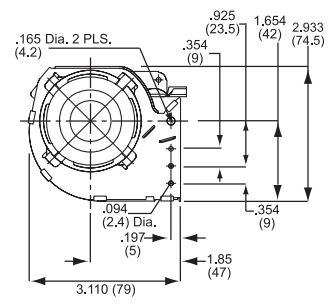
55442.50190	QLK451818A193038L62YY	1	160	115	60	50	50	Middle	Front	B
55442.65051	QLK452424A53045L45HV	2	190	115	60	63	55	Middle	Back	B



QLK45AC Series Mechanical Data Crossflow Blower

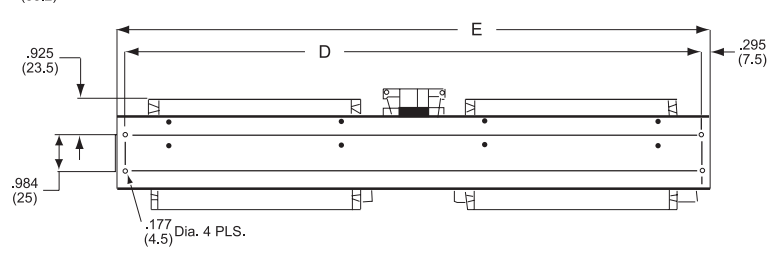
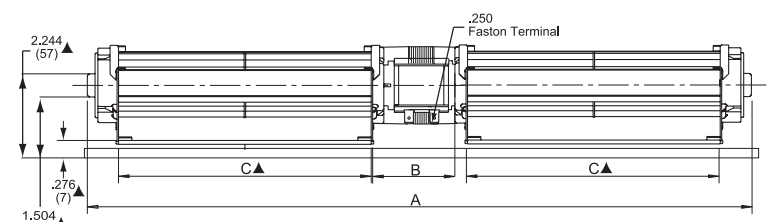
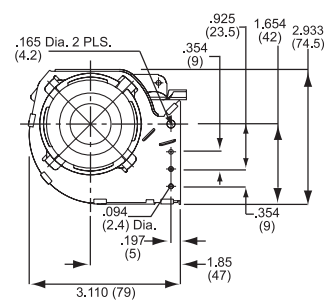
180... 300mm x Ø 45mm

Part Number	Motor Position	A		B		C		D		E		F	
		inch	mm	inch	mm	inch	mm	inch	mm	inch	mm	inch	mm
QLK45/0018-A1412518LH86LU	Left	10.43	265	2.36	60	7.09	180	6.06	154	N/A	N/A	0.55	14
QLK45/1800-A62518L38KN	Right												
QLK45/1800-A11562518LH26LU	Right												
QLK45/1800-A1172518172PW	Right												
QLK45/0024-A142524L34KX	Left	13.03	331	2.60	60	9.45	240	8.35	212	N/A	N/A	0.59	15
QLK45/2400-A132524L35KX	Right												
QLK45/0030-A103030L26ZT	Left	15.83	402	2.99	76	11.81	300	10.71	272	N/A	N/A	0.59	15
QLK45/0030-A322524L55PY	Left												
QLK45/3000-A313030LH115AEP	Right												
QLK45/1818-3038L	Middle	19.69	500	3.50	89	2x7.09	2x180	19.80	503	20.39	518	N/A	N/A
QLK45/2424-3045L	Middle	24.72	628	2.82	97	2x9.45	2x240	24.69	627	25.28	642	N/A	N/A



Dimensions: inches (mm)
▲ Dimension denotes air outlet

QLK45TWIN Series



All data subject to change without notice



e-mail: sales@us.ebmpapst.com · TEL: 860-674-1515 · FAX: 860-674-8536
 ebm-papst Inc., 100 Hyde Road, Farmington, CT 06034 USA
 ebm-papst Inc., 2004 © ebm-papst Inc. reserves the right to change any specifications or data without notice