



Chipsmall Limited consists of a professional team with an average of over 10 year of expertise in the distribution of electronic components. Based in Hongkong, we have already established firm and mutual-benefit business relationships with customers from,Europe,America and south Asia,supplying obsolete and hard-to-find components to meet their specific needs.

With the principle of “Quality Parts,Customers Priority,Honest Operation,and Considerate Service”,our business mainly focus on the distribution of electronic components. Line cards we deal with include Microchip,ALPS,ROHM,Xilinx,Pulse,ON,Everlight and Freescale. Main products comprise IC,Modules,Potentiometer,IC Socket,Relay,Connector.Our parts cover such applications as commercial,industrial, and automotives areas.

We are looking forward to setting up business relationship with you and hope to provide you with the best service and solution. Let us make a better world for our industry!



Contact us

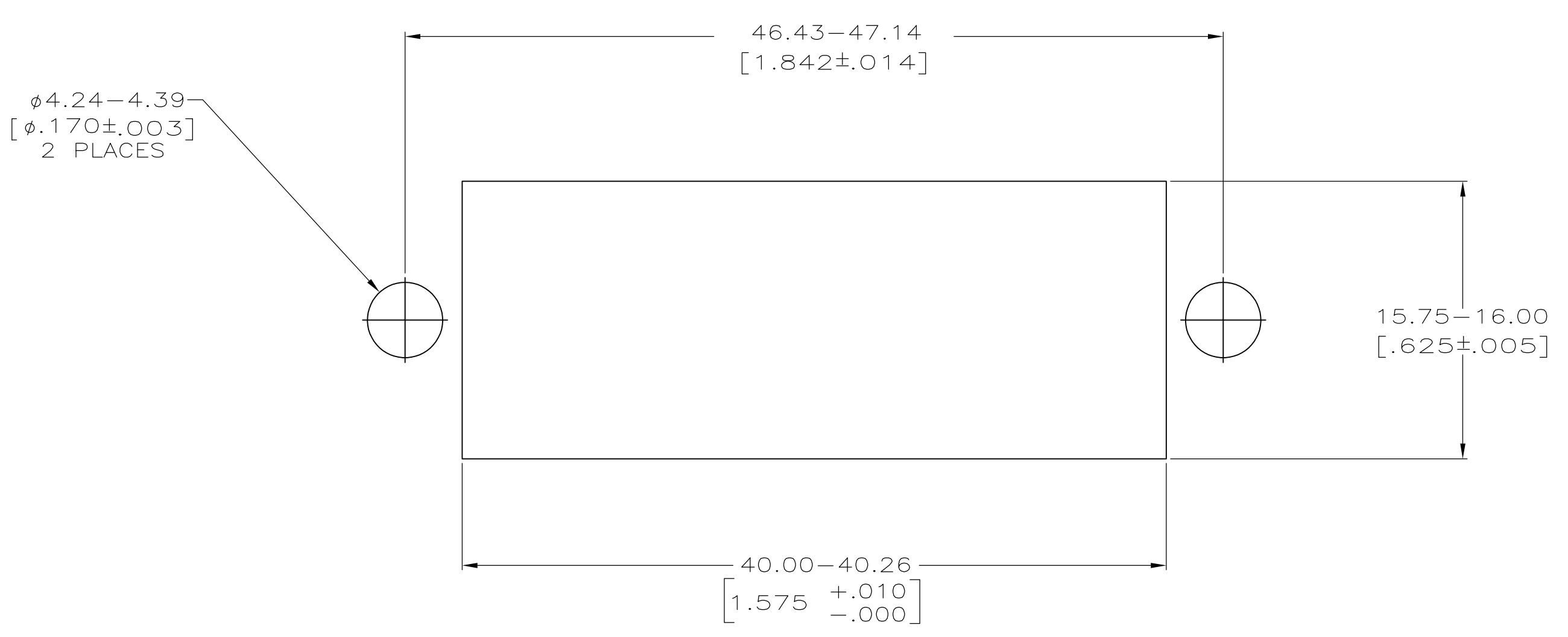
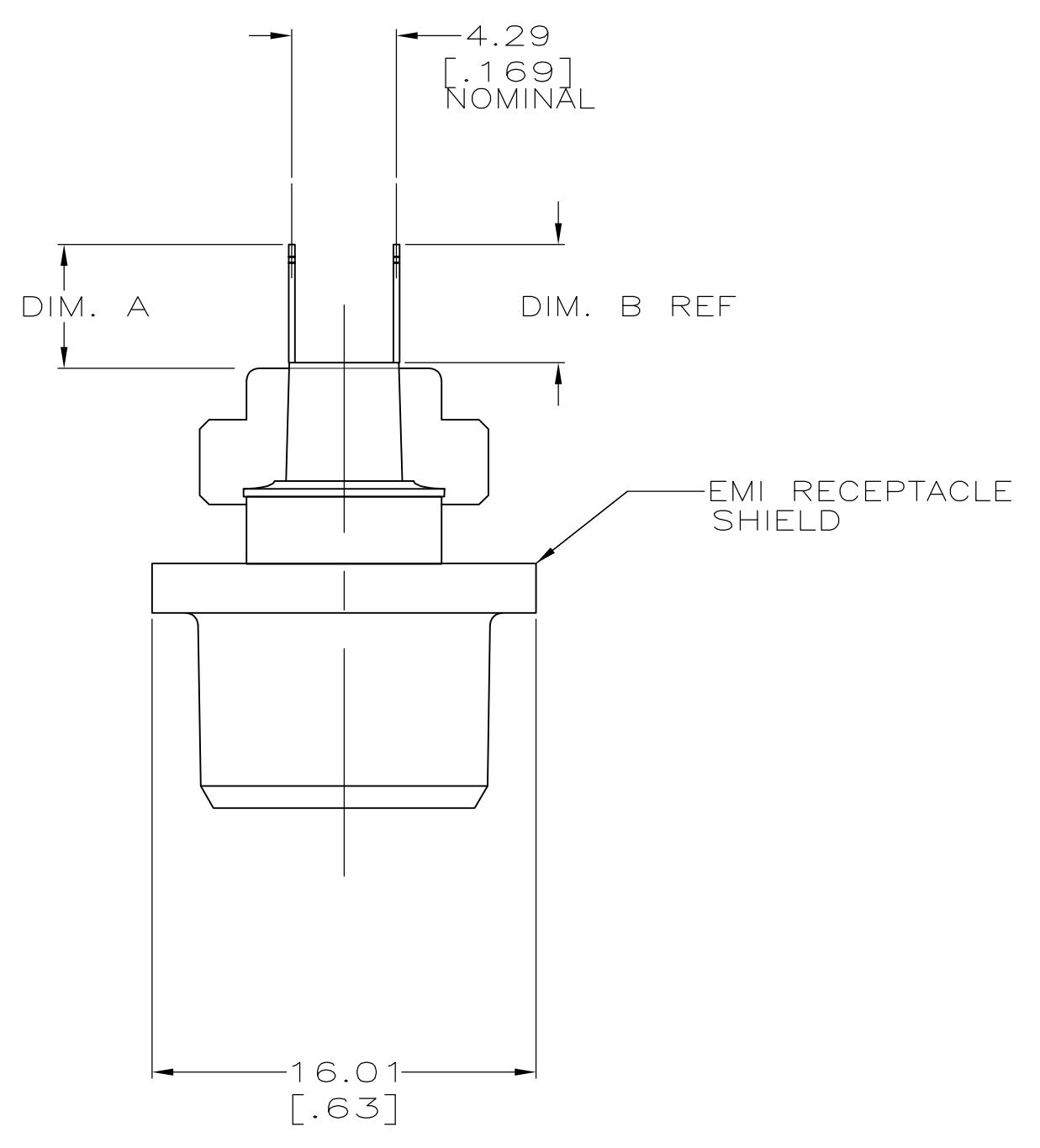
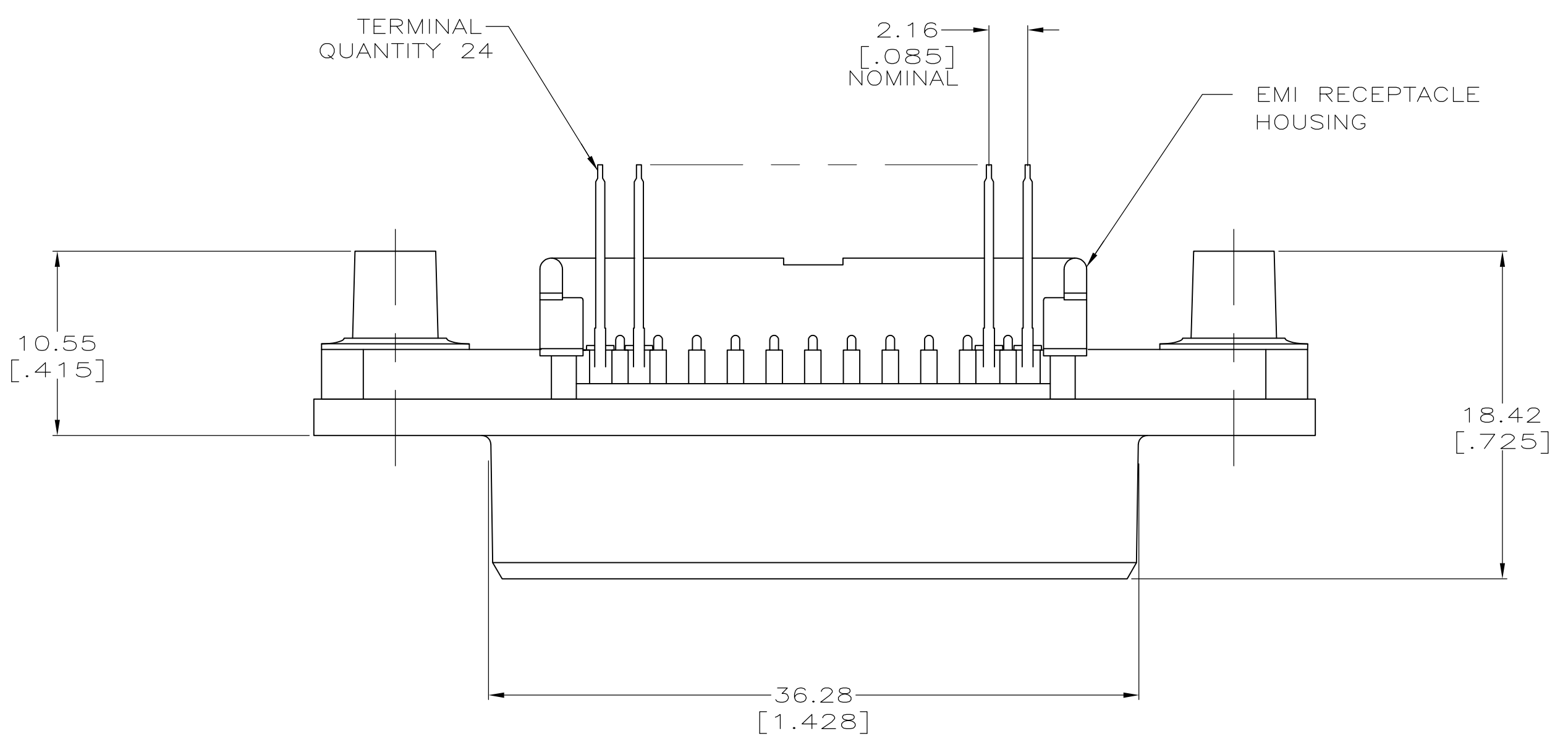
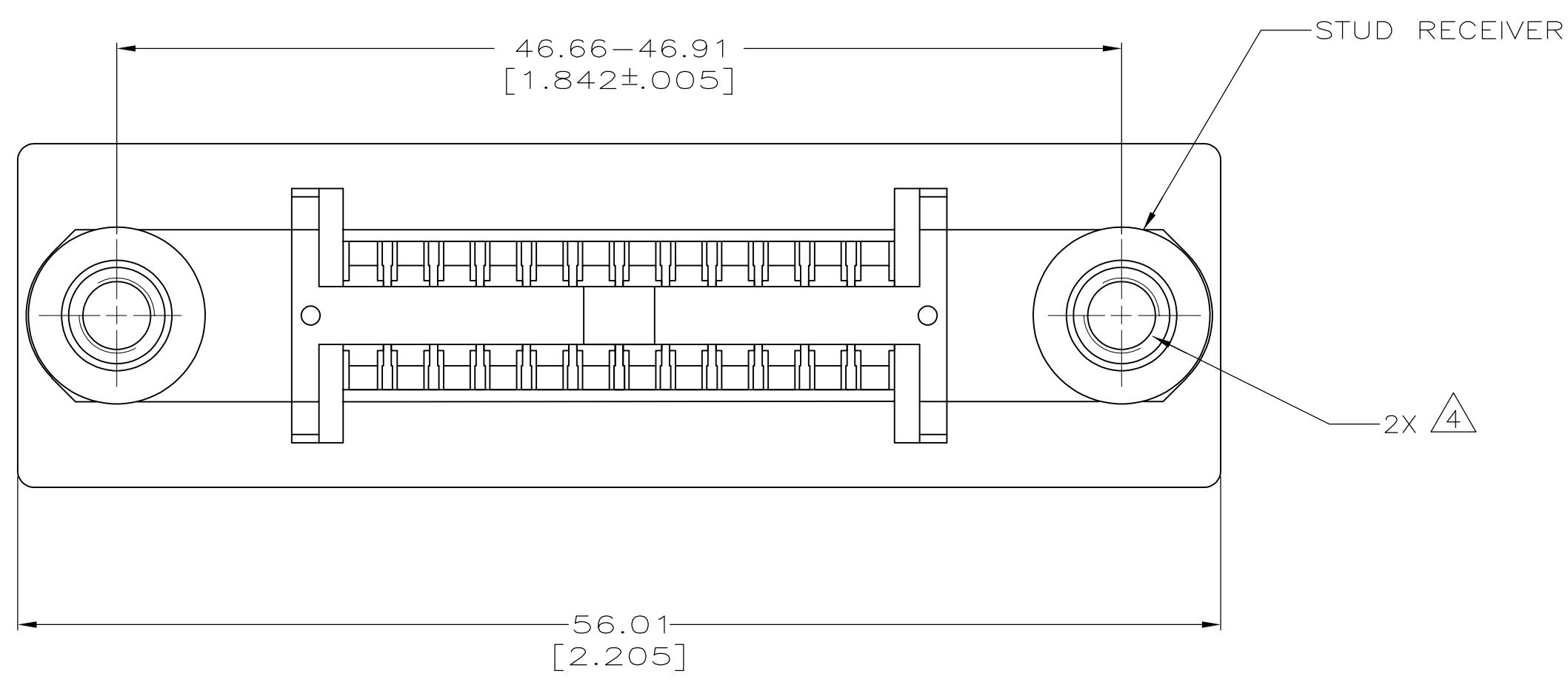
Tel: +86-755-8981 8866 Fax: +86-755-8427 6832

Email & Skype: info@chipsmall.com Web: www.chipsmall.com

Address: A1208, Overseas Decoration Building, #122 Zhenhua RD., Futian, Shenzhen, China



LOC		DIST		REVISIONS			
P	LTR	DESCRIPTION	DATE	OWN	APPD		
GP	00						
	L	REVISED PER ECO-08-007327	18APR08	BM	WM		
	L1	REV PER ECO-09-021510	12SEP09	KK	AEQ		



SUGGESTED REAR PANEL CUTOUT DIMENSIONS

- $\triangle 1$ DIMENSIONS ARE MAXIMUM UNLESS OTHERWISE SPECIFIED.
- 2. THE CONTACT SURFACES OF THE TERMINALS ARE COATED WITH LUBRICANT.
- $\triangle 3$ MATERIAL: HOUSING - POLYESTER, BLACK.
TERMINAL - PHOS BRONZE PLATED WITH EITHER 0.76 μ m [.000030] MINIMUM GOLD PLATE OR GOLD FLASH OVER PALLADIUM NICKEL PLATE, 0.76 μ m [.000030] MIN TOTAL ON MATING SURFACE. 3.05 μ m [.000120] MINIMUM MATTE TIN-LEAD ON TAILS OVER 1.27 μ m [.000050] MINIMUM NICKEL UNDERPLATE OVER ENTIRE TERMINAL.
STUD RECEIVER - STAINLESS STEEL.
SHIELD - NICKEL PLATED ZINC DIE CASTING.
- $\triangle 4$ HOLES TO BE TAPPED AFTER PLATING.
- $\triangle 5$ OBSOLETE PARTS: OBSOLETE CIS STREAMLINING PER D.RENAUD/D.SINISI

REV	DESCRIPTION	DATE	BY	CHKD	APPD	PART NUMBER
5	OBSOLETE	4-40 UNC-2B	3.05 [.120]	3.81 [.150]		554501-3
	SUPERSEDED	6-32 UNC-2B	4.70 [.185]	5.47 [.215]		554501-2
		6-32 UNC-2B	3.05 [.120]	3.81 [.150]		554501-1

THIS DRAWING IS A CONTROLLED DOCUMENT.

DIMENSIONS: mm(INCHES)		TOLERANCES UNLESS OTHERWISE SPECIFIED:		DRAWN B. SIMPSON 11AUG94		CHKD C. WHITT 31OCT94		APVD R. FLAHERTY 07NOV94		NAME Tyco Electronics Corporation Harrisburg, Pa 17105-3608	
ϕ	0 PLC ±	\pm	\pm	$\triangle 1$	PRODUCT SPEC						
\pm	2 PLC ±	\pm	\pm		APPLICATION SPEC						
\pm	3 PLC ±	\pm	\pm		SIZE CAGE CODE DRAWING NO						
\pm	4 PLC ±	\pm	\pm		RESTRICTED TO						
ANGLES		\pm	\pm		MATERIAL						
					FINISH						
					WEIGHT						
					CUSTOMER DRAWING						
					SCALE 4:1 SHEET 1 OF 1 REV L1						

SIZE CAGE CODE DRAWING NO: A1 00779 C=554501