



Chipsmall Limited consists of a professional team with an average of over 10 year of expertise in the distribution of electronic components. Based in Hongkong, we have already established firm and mutual-benefit business relationships with customers from,Europe,America and south Asia,supplying obsolete and hard-to-find components to meet their specific needs.

With the principle of “Quality Parts,Customers Priority,Honest Operation,and Considerate Service”,our business mainly focus on the distribution of electronic components. Line cards we deal with include Microchip,ALPS,ROHM,Xilinx,Pulse,ON,Everlight and Freescale. Main products comprise IC,Modules,Potentiometer,IC Socket,Relay,Connector.Our parts cover such applications as commercial,industrial, and automotives areas.

We are looking forward to setting up business relationship with you and hope to provide you with the best service and solution. Let us make a better world for our industry!



Contact us

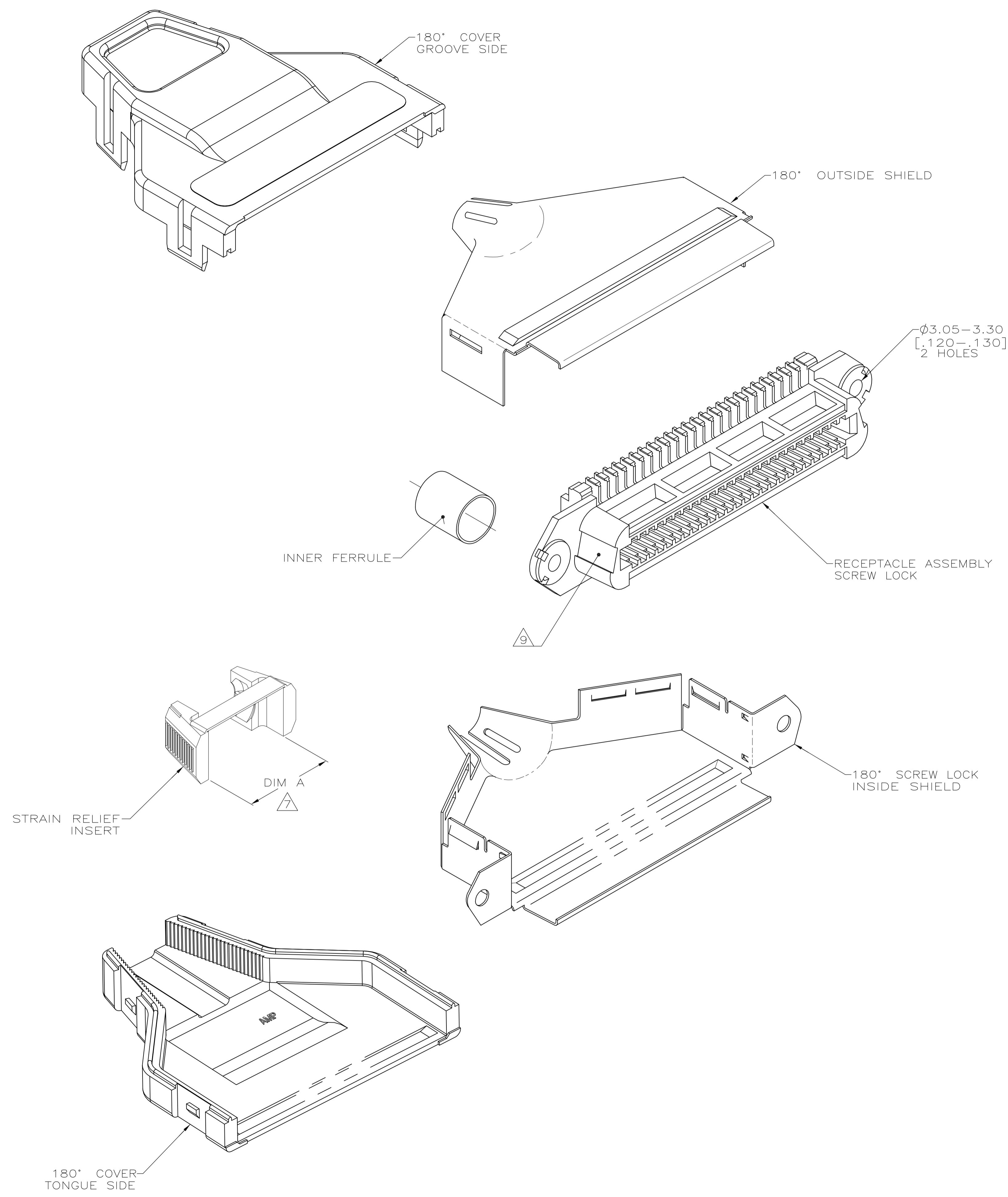
Tel: +86-755-8981 8866 Fax: +86-755-8427 6832

Email & Skype: info@chipsmall.com Web: www.chipsmall.com

Address: A1208, Overseas Decoration Building, #122 Zhenhua RD., Futian, Shenzhen, China



LOC	DIST	REVISIONS			
F	LTR	DESCRIPTION	DATE	DMN	APVD
GP	00	F	REVISED PER ECO-08-007327	05SEP08	BM WM



- THIS KIT SHIPPED NOT ASSEMBLED.
- MATERIAL: SHIELDS – BRIGHT NICKEL PLATED CARBON STEEL.
 - COVERS AND HOUSING – POLYPHENYLENE OXIDE, BLACK.
 - STRAIN RELIEF – POLYPROPYLENE, BLACK.
 - FERRULE – COPPER ALLOY.
 - TERMINAL – HIGH STRENGTH COPPER ALLOY PLATED WITH 0.76 μ m [.000030] MIN GOLD OR GOLD FLASH OVER PALLADIUM NICKEL PLATE, 0.76 μ m [.000030] MIN TOTAL ON MATING SURFACE. 1.27 μ m [.000050] MIN NICKEL UNDERPLATE OVER ENTIRE TERMINAL.
- WIRE SIZE: 24 OR 26 AWG SOLID OR 24 AWG 7 STRANDS OF COPPER CONDUCTORS. MAXIMUM INSULATION DIAMETER OF 1.14 [.045] IS ACCEPTABLE FOR MOST APPLICATIONS.
- CABLE RANGE: \varnothing 8.89–15.88 [.350–.625].
- CENTER-TO-CENTER SPACING OF TERMINALS 2.16 [.085] NOMINAL.
- CABLE OF 10.16[.400] DIAMETER OR LESS SHALL USE INNER FERRULE ON THE CABLE JACKET. CABLE GREATER THAN 10.16[.400] DIAMETER SHALL USE INNER FERRULE ON THE CONDUCTORS.
 - CABLE LESS THAN 12.7[.500] USE 16.13[.635] STRAIN RELIEF. CABLE GREATER THAN 12.7[.500] USE 18.67[.735] STRAIN RELIEF.
 - DIMENSIONS ARE MAXIMUM UNLESS OTHERWISE SPECIFIED.
 - CORING IS AN OPTIONAL CONFIGURATION AND IS AT THE DISCRETION OF AMP INCORPORATED.

16.13[.635]	8.89[.350]	554573-1
STRAIN RELIEF DIM A	FERRULE ID	PART NUMBER

THIS DRAWING IS A CONTROLLED DOCUMENT.

DIMENSIONS: mm [INCHES]	TOLERANCES UNLESS OTHERWISE SPECIFIED:	DIN S. POZEBANCHUK 25SEP84	Tyco Electronics Corporation Harrisburg, PA 17105-3608
0 PLC ± .00	1 PLC ± .00	25SEP84	Tyco Electronics
2 PLC ± .00	3 PLC ± .00	28SEP84	
4 PLC ± .00	ANGLES ± .00	APVD G. FOSTER 03OCT84	NAME RECEPTACLE KIT, SHIELDED, 50 POSITION, B-SLOT, 180 DEGREE COVER, SCREW LOCK, CHAMP
MATERIAL	FINISH	APPLICATION SPEC	SIZE A1
		WEIGHT	CAGE CODE 00779
		CUSTOMER DRAWING	DRAWING NO. 554573
			RESTRICTED TO
			SCALE 2:1 SHEET 1 OF 1 REV F