



Chipsmall Limited consists of a professional team with an average of over 10 year of expertise in the distribution of electronic components. Based in Hongkong, we have already established firm and mutual-benefit business relationships with customers from,Europe,America and south Asia,supplying obsolete and hard-to-find components to meet their specific needs.

With the principle of “Quality Parts,Customers Priority,Honest Operation,and Considerate Service”,our business mainly focus on the distribution of electronic components. Line cards we deal with include Microchip,ALPS,ROHM,Xilinx,Pulse,ON,Everlight and Freescale. Main products comprise IC,Modules,Potentiometer,IC Socket,Relay,Connector.Our parts cover such applications as commercial,industrial, and automotives areas.

We are looking forward to setting up business relationship with you and hope to provide you with the best service and solution. Let us make a better world for our industry!



## Contact us

Tel: +86-755-8981 8866 Fax: +86-755-8427 6832

Email & Skype: info@chipsmall.com Web: www.chipsmall.com

Address: A1208, Overseas Decoration Building, #122 Zhenhua RD., Futian, Shenzhen, China

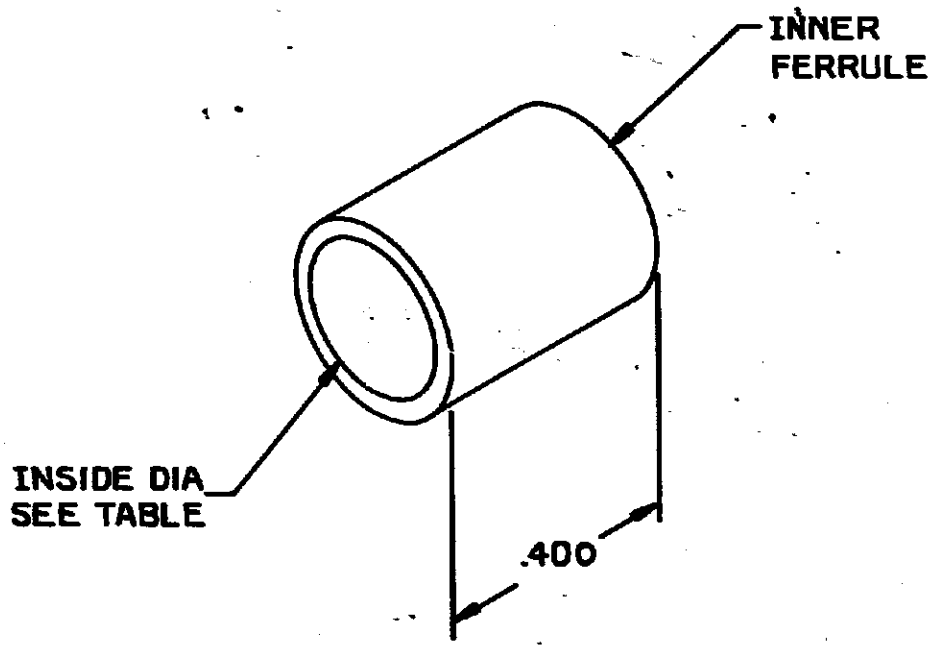


DRAWING MADE IN THIRD ANGLE PROJECTION

THIS DRAWING IS UNPUBLISHED. RELEASED FOR PUBLICATION . 19  
 © COPYRIGHT 19 BY AMP INCORPORATED, HARRISBURG, PA. ALL INTERNATIONAL RIGHTS RESERVED. AMP PRODUCTS MAY BE COVERED BY U.S. AND FOREIGN PATENTS AND/OR PATENTS PENDING.

		2		1		LOC AA	91ST
REVISIONS							
P	F	ZONE	LTR	DESCRIPTION	DATE	APPROVED	
0		0		RLSD; NPI C86-1	3/6/86	TC [Signature]	

D  
C  
B  
A



BULK PACKED	.500	-6
	.450	-5
	.400	-4
	.350	-3
	.300	-2
	.250	554725-1

		PACKAGED	INSIDE DIA	PART NO
UNLESS OTHERWISE SPECIFIED DIMENSIONS ARE IN INCHES. TOLERANCES ON: DECIMALS ±.005 ANGLES ±.1	CONTRACT NO	AMP   AMP INCORPORATED Harrisburg, Pa.		
	DR C8. Gandy 3/6/86	NAME FERRULE, INNER, SHIELDED CHAMP		
	CHK M. J. 3-20-86	SIZE B	FSCM NO 00779	DRAWING NO 554725
MATERIAL .017 THK COPPER ZINC ALLOY	APPD B. Hitzelend 5/27/86	SCALE 4:1		
FINISH	APPD N.E.L. 5-27-86	SHEET 1 OF 1		
	OTHER APPD			

AMP 1470-17

CUSTOMER DRAWING