



Chipsmall Limited consists of a professional team with an average of over 10 year of expertise in the distribution of electronic components. Based in Hongkong, we have already established firm and mutual-benefit business relationships with customers from,Europe,America and south Asia,supplying obsolete and hard-to-find components to meet their specific needs.

With the principle of "Quality Parts,Customers Priority,Honest Operation,and Considerate Service",our business mainly focus on the distribution of electronic components. Line cards we deal with include Microchip,ALPS,ROHM,Xilinx,Pulse,ON,Everlight and Freescale. Main products comprise IC,Modules,Potentiometer,IC Socket,Relay,Connector.Our parts cover such applications as commercial,industrial, and automotives areas.

We are looking forward to setting up business relationship with you and hope to provide you with the best service and solution. Let us make a better world for our industry!



## Contact us

Tel: +86-755-8981 8866 Fax: +86-755-8427 6832

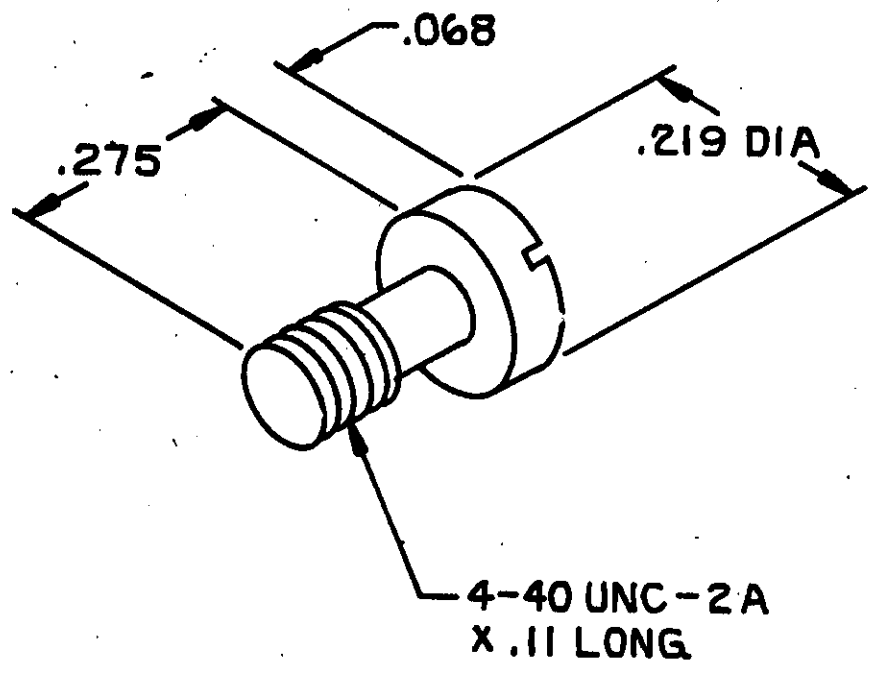
Email & Skype: info@chipsmall.com Web: www.chipsmall.com

Address: A1208, Overseas Decoration Building, #122 Zhenhua RD., Futian, Shenzhen, China



P		F		LTR		DESCRIPTION	DATE	APPROVED
0	0	0	0	RLSD	NPI	C86-1	3/7/86	TE <i>BZ</i>

- ALL DIMENSIONS SHOWN ARE MAXIMUM UNLESS OTHERWISE SPECIFIED.
- MATERIAL: BRIGHT ZINC PLATED CARBON STEEL.



THIS DRAWING IS UNPUBLISHED. RELEASED FOR PUBLICATION  
 BY AMP INCORPORATED, HARRISBURG, PA. ALL INTERNATIONAL RIGHTS RESERVED. AMP PRODUCTS MAY BE COVERED BY U.S. AND FOREIGN PATENTS AND/OR PATENTS PENDING.

BULK PACKED	554726-1
PACKAGED	PART NO

UNLESS OTHERWISE SPECIFIED DIMENSIONS ARE IN INCHES. TOLERANCES ON: DECIMALS ± = ANGLES ± =	CONTRACT NO
MATERIAL	DR <i>J. Ganty</i> 3/7/86
FINISH	CHK <i>S. Fox</i> 3-20-86
	APPD <i>B. Hutchens</i> 5/27/86
	APPD <i>B. Wilkinson</i> 5-27-86
	DSGN APPD
	OTHER APPD

<b>AMP</b>   AMP INCORPORATED Harrisburg, Pa. 17105		
NAME SCREW, PAN HEAD, CAPTIVE, SHIELDED CHAMP		
SIZE <b>A</b>	FSCM NO <b>00779</b>	DRAWING NO <b>554726</b>
SCALE 4:1	SHEET 1 OF 1	