



Chipsmall Limited consists of a professional team with an average of over 10 year of expertise in the distribution of electronic components. Based in Hongkong, we have already established firm and mutual-benefit business relationships with customers from,Europe,America and south Asia,supplying obsolete and hard-to-find components to meet their specific needs.

With the principle of "Quality Parts,Customers Priority,Honest Operation,and Considerate Service",our business mainly focus on the distribution of electronic components. Line cards we deal with include Microchip,ALPS,ROHM,Xilinx,Pulse,ON,Everlight and Freescale. Main products comprise IC,Modules,Potentiometer,IC Socket,Relay,Connector.Our parts cover such applications as commercial,industrial, and automotives areas.

We are looking forward to setting up business relationship with you and hope to provide you with the best service and solution. Let us make a better world for our industry!



Contact us

Tel: +86-755-8981 8866 Fax: +86-755-8427 6832

Email & Skype: info@chipsmall.com Web: www.chipsmall.com

Address: A1208, Overseas Decoration Building, #122 Zhenhua RD., Futian, Shenzhen, China



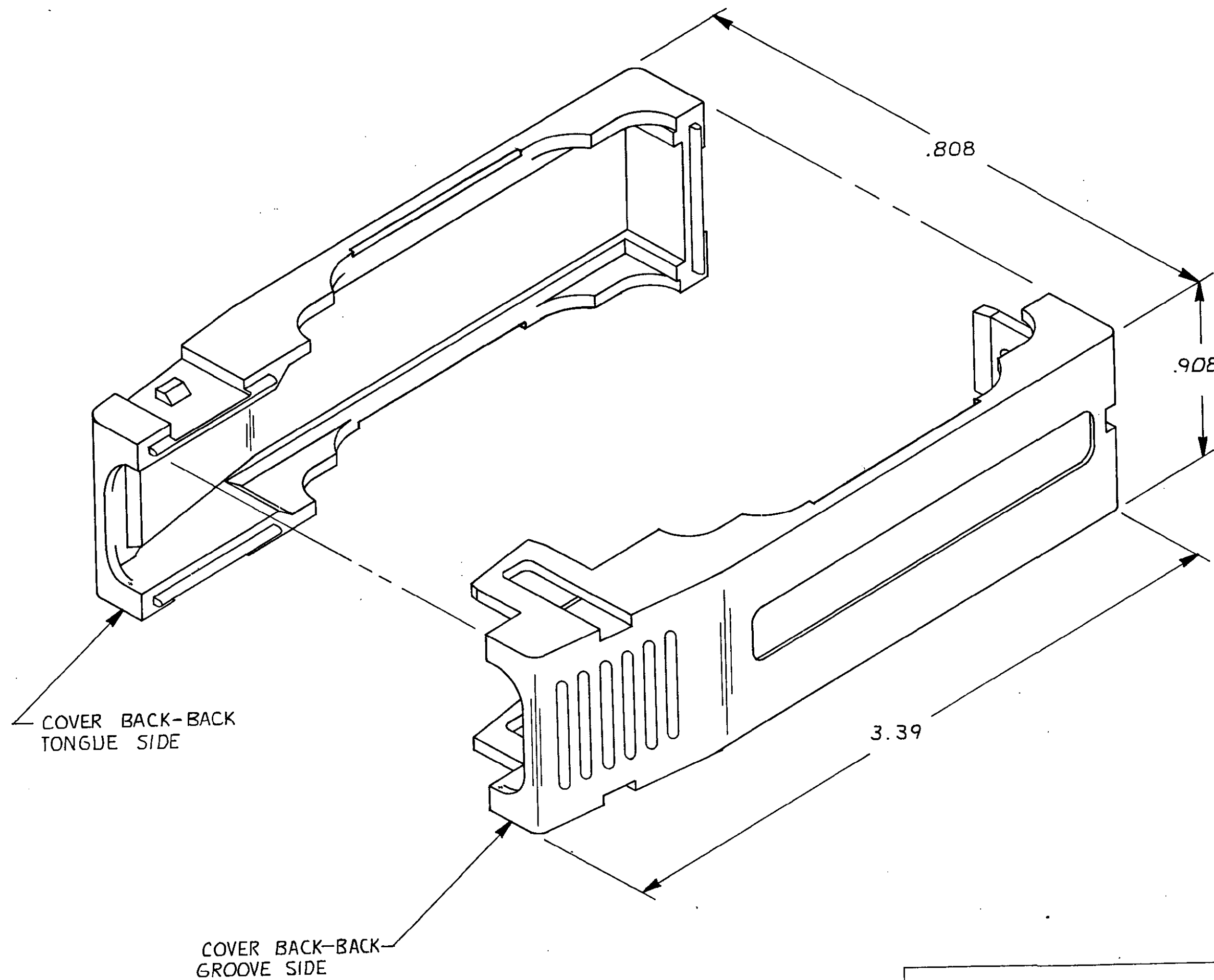
THIS DRAWING IS UNPUBLISHED. RELEASED FOR PUBLICATION, 19
 © COPYRIGHT 19 BY AMP INCORPORATED, HARRISBURG, PA. ALL INTERNATIONAL RIGHTS RESERVED. AMP PRODUCTS MAY BE COVERED BY U.S. AND FOREIGN PATENTS AND/OR PATENTS PENDING.

REVISIONS				DATE	APPROVED
P	F	ZONE	LTR	DESCRIPTION	
				F. OBS:-2; EC 0210-0416-96.	8/10/86 DS MH

1 MATERIAL: POLYPHENYLENE, BLACK.

2 ALL DIMENSIONS ARE MAXIMUM UNLESS OTHERWISE SPECIFIED.

3 ONE KIT PER POLY BAG.



D
C
B
554831
A

3	.300 - .375	554831-1
PACKAGED	CABLE RANGE	PART NO

UNLESS OTHERWISE SPECIFIED DIMENSIONS ARE IN INCHES. TOLERANCES ON: DECIMALS ± = ANGLES ± =	CONTRACT NO	AMP AMP INCORPORATED Harrisburg, Pa. 17105	
	DR B. SIMPSON 6-24-85	NAME	
	CHK A. FOX 6-27-85	COVER KIT, BACK/BACK, 24-POSITION, CHAMP	
	MATERIAL	APPD B. HUTCHINS 6/27/85	SIZE
	APPD M. KILPATRICK 6/27/85	C	00779
FINISH	DSGN APPD	DRAWING NO	
	OTHER APPD	554831	
		SCALE	SHEET
		2:1	1 OF 1

CUSTOMER DRAWING