



Chipsmall Limited consists of a professional team with an average of over 10 year of expertise in the distribution of electronic components. Based in Hongkong, we have already established firm and mutual-benefit business relationships with customers from,Europe,America and south Asia,supplying obsolete and hard-to-find components to meet their specific needs.

With the principle of “Quality Parts,Customers Priority,Honest Operation,and Considerate Service”,our business mainly focus on the distribution of electronic components. Line cards we deal with include Microchip,ALPS,ROHM,Xilinx,Pulse,ON,Everlight and Freescale. Main products comprise IC,Modules,Potentiometer,IC Socket,Relay,Connector.Our parts cover such applications as commercial,industrial, and automotives areas.

We are looking forward to setting up business relationship with you and hope to provide you with the best service and solution. Let us make a better world for our industry!



## Contact us

Tel: +86-755-8981 8866 Fax: +86-755-8427 6832

Email & Skype: info@chipsmall.com Web: www.chipsmall.com

Address: A1208, Overseas Decoration Building, #122 Zhenhua RD., Futian, Shenzhen, China



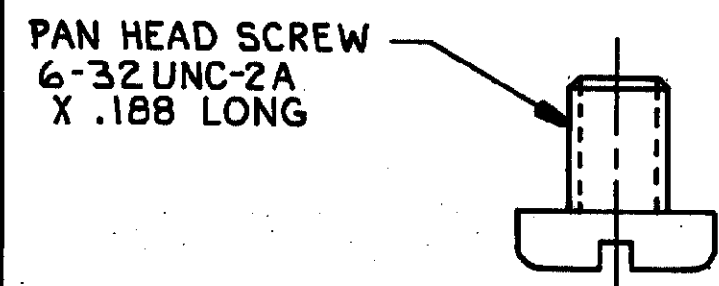
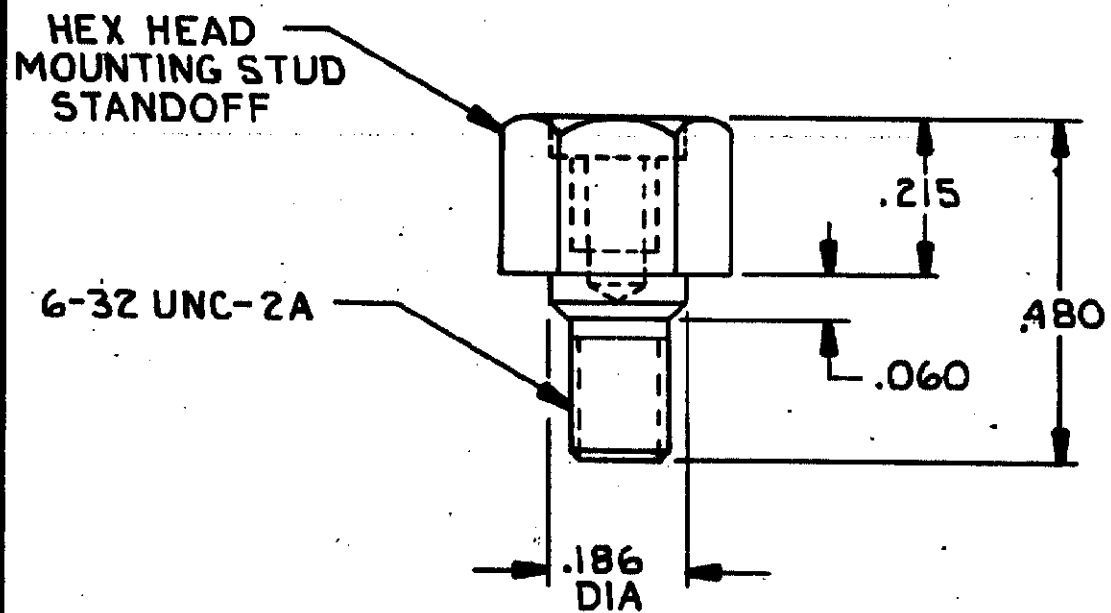
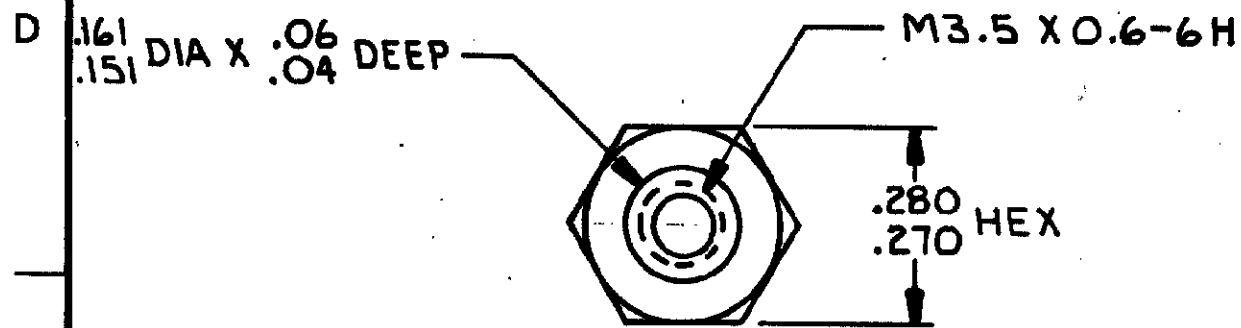
DRAWING MADE IN THIRD ANGLE PROJECTION

THIS DRAWING IS UNPUBLISHED. RELEASED FOR PUBLICATION

© COPYRIGHT 19 BY AMP INCORPORATED, HARRISBURG, PA. ALL INTERNATIONAL RIGHTS RESERVED. AMP PRODUCTS MAY BE COVERED BY U.S. AND FOREIGN PATENTS AND/OR PATENTS PENDING.

LOC AA DIST 20

REVISIONS						
P	F	ZONE	LTR	DESCRIPTION	DATE	APPROVED
B			B	REVISED: ECR AA-6042	6-13-85	LHS AH



1. ALL DIMENSIONS SHOWN ARE MAXIMUM UNLESS OTHERWISE SPECIFIED.
2. MATERIAL: STANDOFF - BLACK OXIDE COATED PANHEAD SCREW - ZINC PLATED STEEL.
3. TWO OF EACH COMPONENT REQUIRED PER KIT.
4. ONE KIT SHIPPED PER POLY BAG.

.188 LONG	.062	.062-.093	554858-1
PAN HEAD SCREW	FOR PCB THICKNESS	FOR PANEL THICKNESS	PART NO

UNLESS OTHERWISE SPECIFIED DIMENSIONS ARE IN INCHES. TOLERANCES ON: DECIMALS ± ANGLES ±	CONTRACT NO		AMP   AMP INCORPORATED Harrisburg, Pa.	
	DR <i>C. Yates</i> 7-2-85			
MATERIAL	CHK <i>For</i> 7-10-85		NAME HARDWARE KIT, VERTICAL MOUNTING	
	APPD <i>Terry A. Smith</i> 7-11-85		PREASSEMBLED SHIELDED, IEEE CHAMP	
FINISH	OSGN APPD <i>W. L. ...</i> 7-11-85		SIZE	FSCM NO
	OTHER APPD		B	00779
SCALE 4:1			DRAWING NO	SHEET 1 OF 1
			554858	

AMP 1470-17

CUSTOMER DRAWING