



Chipsmall Limited consists of a professional team with an average of over 10 year of expertise in the distribution of electronic components. Based in Hongkong, we have already established firm and mutual-benefit business relationships with customers from,Europe,America and south Asia,supplying obsolete and hard-to-find components to meet their specific needs.

With the principle of “Quality Parts,Customers Priority,Honest Operation,and Considerate Service”,our business mainly focus on the distribution of electronic components. Line cards we deal with include Microchip,ALPS,ROHM,Xilinx,Pulse,ON,Everlight and Freescale. Main products comprise IC,Modules,Potentiometer,IC Socket,Relay,Connector.Our parts cover such applications as commercial,industrial, and automotives areas.

We are looking forward to setting up business relationship with you and hope to provide you with the best service and solution. Let us make a better world for our industry!



Contact us

Tel: +86-755-8981 8866 Fax: +86-755-8427 6832

Email & Skype: info@chipsmall.com Web: www.chipsmall.com

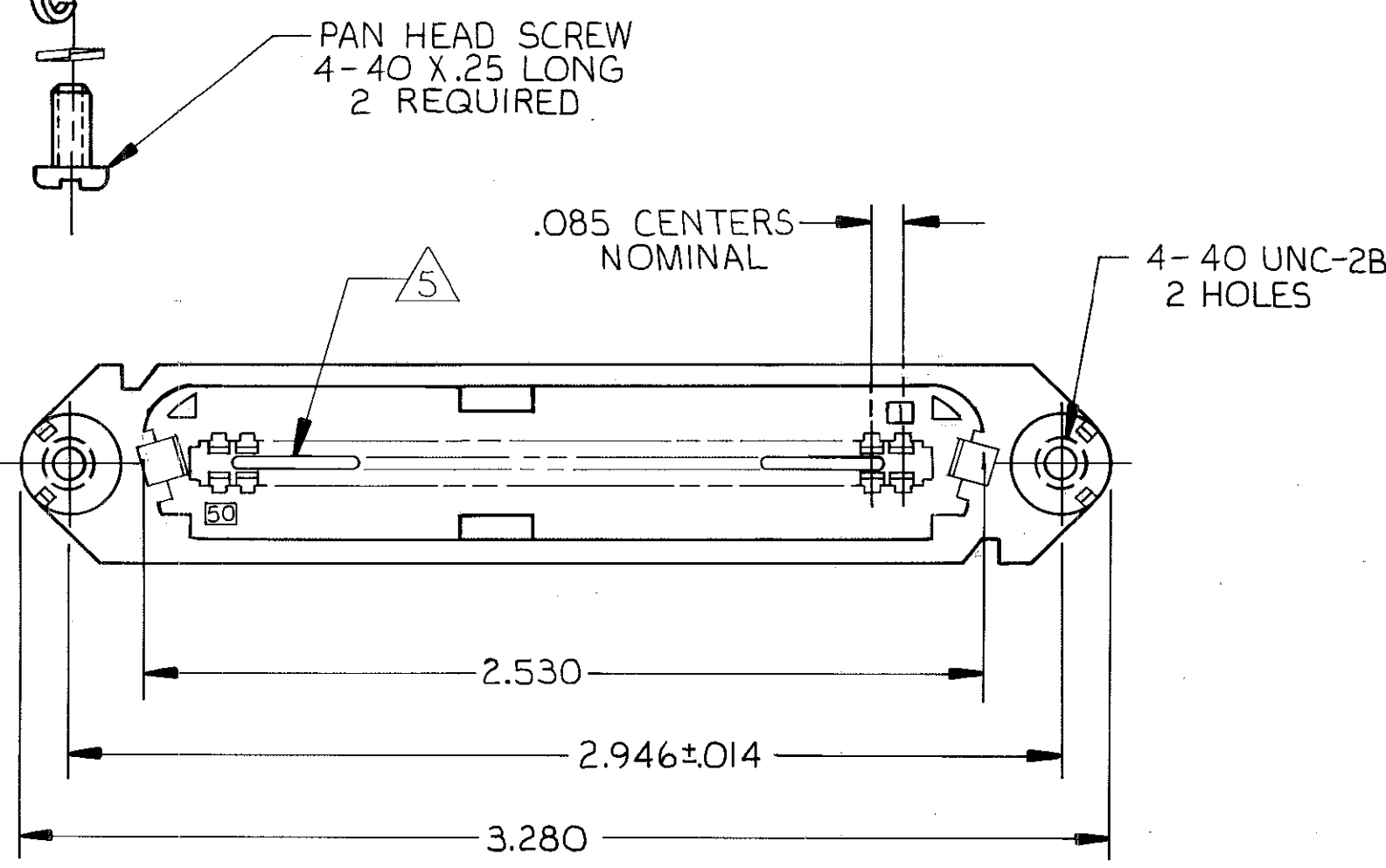
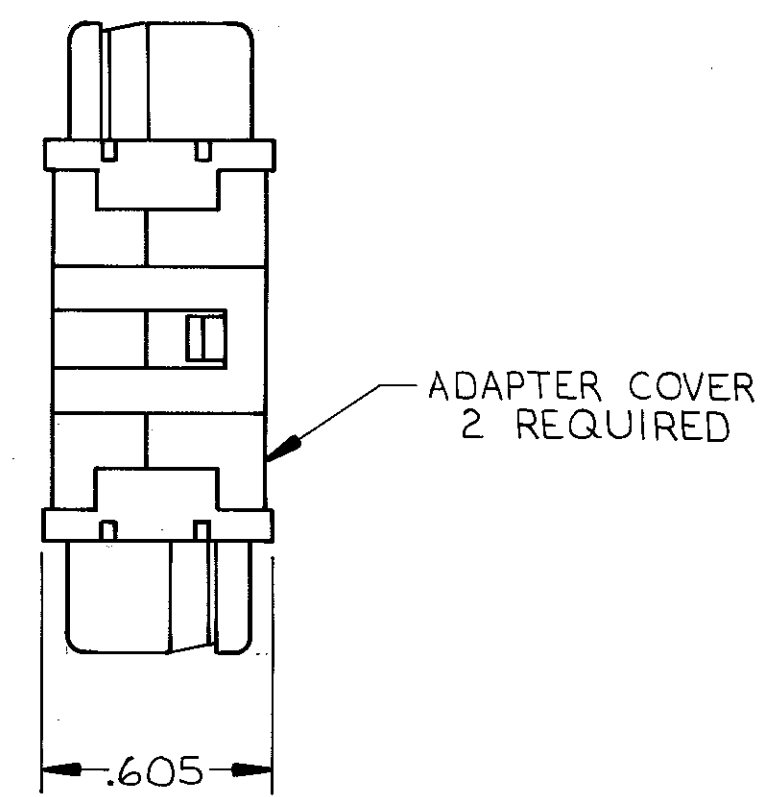
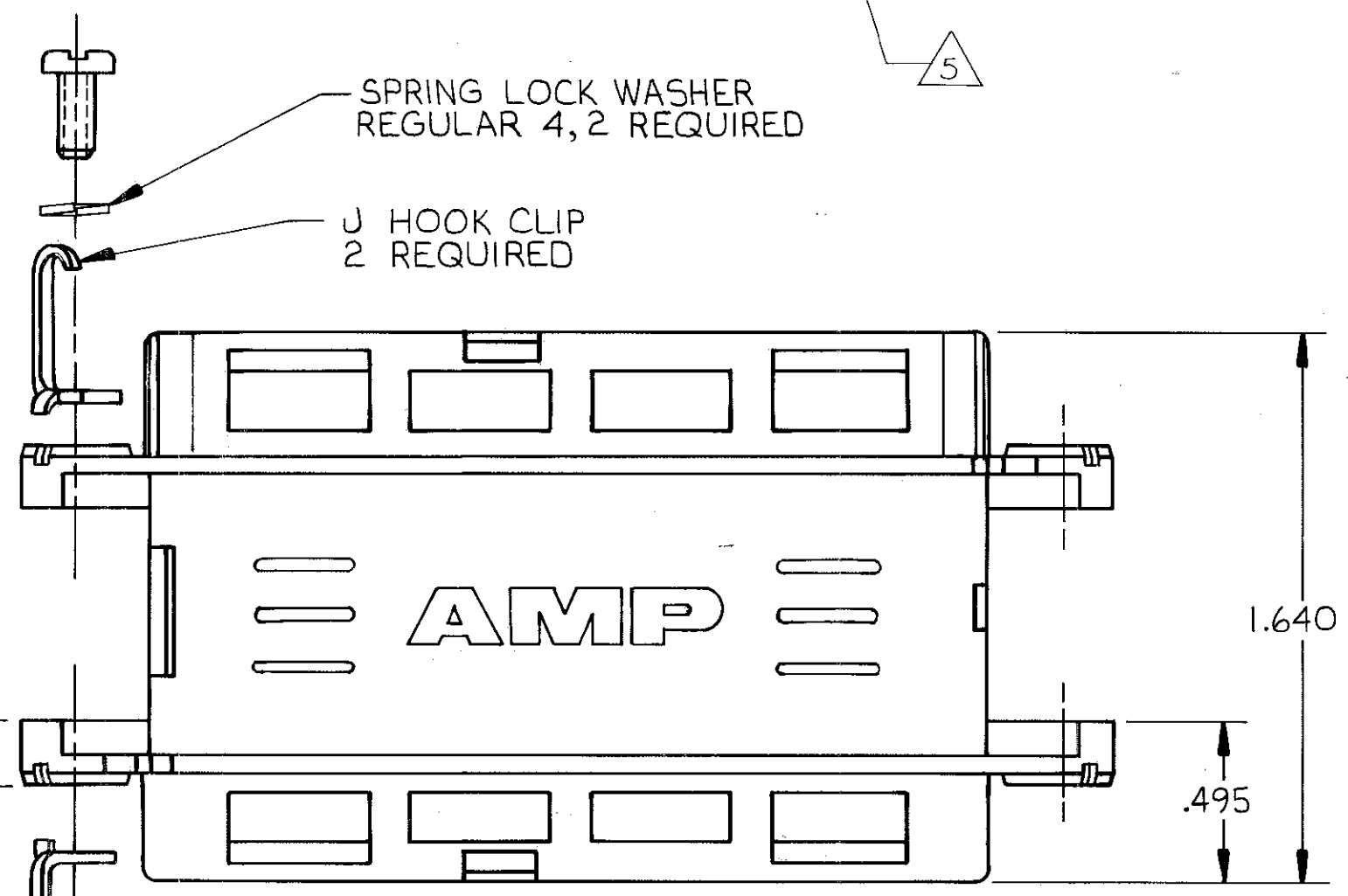
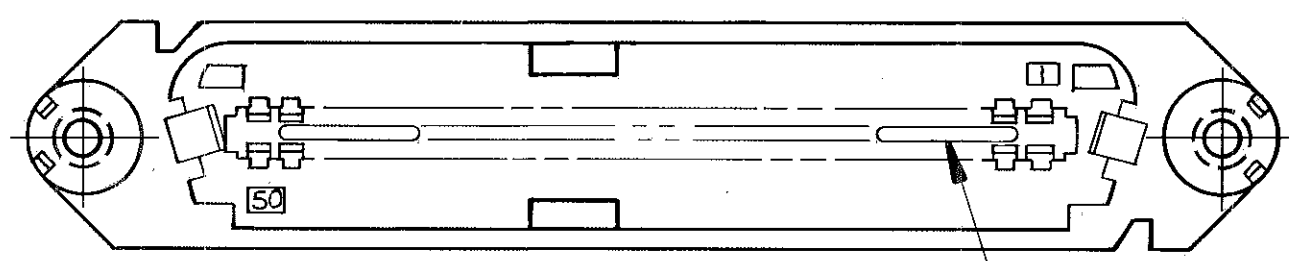
Address: A1208, Overseas Decoration Building, #122 Zhenhua RD., Futian, Shenzhen, China



THIS DRAWING IS UNPUBLISHED. RELEASED FOR PUBLICATION, 19
 © COPYRIGHT 19 BY AMP INCORPORATED, HARRISBURG, PA. ALL INTERNATIONAL RIGHTS RESERVED. AMP PRODUCTS MAY BE COVERED BY U.S. AND FOREIGN PATENTS AND/OR PATENTS PENDING.

REVISIONS				DATE	APPROVED
P	F	ZONE	LTR		
				3-19-81	DD EB
G REV; EC OUI C-0040-01					

1. LIKE NUMBERED CONTACTS ON BOTH CONNECTORS ARE ELECTRICALLY COMMON.
2. THE CONTACT SURFACES OF THE TERMINALS ARE COATED WITH LUBRICANT.
3. MATERIAL: HOUSINGS & COVERS-POLYPHENYLENE, BLACK.
TERMINALS-GOLD OVER NICKEL PLATED HIGH STRENGTH COPPER ALLOY.
HARDWARE-ZINC PLATED STEEL.
4. ALL DIMENSIONS ARE MAXIMUM UNLESS OTHERWISE SPECIFIED.
5. CORING MAY OR MAY NOT APPEAR AND IS AT THE DISCRETION OF AMP INCORPORATED.



PACKAGING	DESCRIPTION	PART NO
ONE KIT PER POLY BAG	WITHOUT J HOOK & HARDWARE	554875-2
	WITH J HOOK & HARDWARE	554875-1

UNLESS OTHERWISE SPECIFIED DIMENSIONS ARE IN INCHES. TOLERANCES ON: DECIMALS ± ANGLES ±	CONTRACT NO	AMP AMP INCORPORATED Harrisburg, Pa. 17105	
	DR <i>M. D. Byerly</i> 9/26/85		
MATERIAL	CHK <i>B. Coarty</i> 9/27/85	NAME RECEPTACLE KIT, GENDER MENDER, 50 POSITION, W/J HOOK HARDWARE, CHAMP-LOK	
	APPD <i>B. Hutchens</i> 10/1/85	SIZE C	FSCM NO 00779
FINISH	APPD <i>B. K. Hartwick</i> 10/1/85	DRAWING NO 554875	
	DSGN/APPD	SCALE 2:1	SHEET 1 OF 1
	OTHER APPD		

WAS 1210-85-28-1

554875