



Chipsmall Limited consists of a professional team with an average of over 10 year of expertise in the distribution of electronic components. Based in Hongkong, we have already established firm and mutual-benefit business relationships with customers from,Europe,America and south Asia,supplying obsolete and hard-to-find components to meet their specific needs.

With the principle of “Quality Parts,Customers Priority,Honest Operation,and Considerate Service”,our business mainly focus on the distribution of electronic components. Line cards we deal with include Microchip,ALPS,ROHM,Xilinx,Pulse,ON,Everlight and Freescale. Main products comprise IC,Modules,Potentiometer,IC Socket,Relay,Connector.Our parts cover such applications as commercial,industrial, and automotives areas.

We are looking forward to setting up business relationship with you and hope to provide you with the best service and solution. Let us make a better world for our industry!



## Contact us

Tel: +86-755-8981 8866 Fax: +86-755-8427 6832

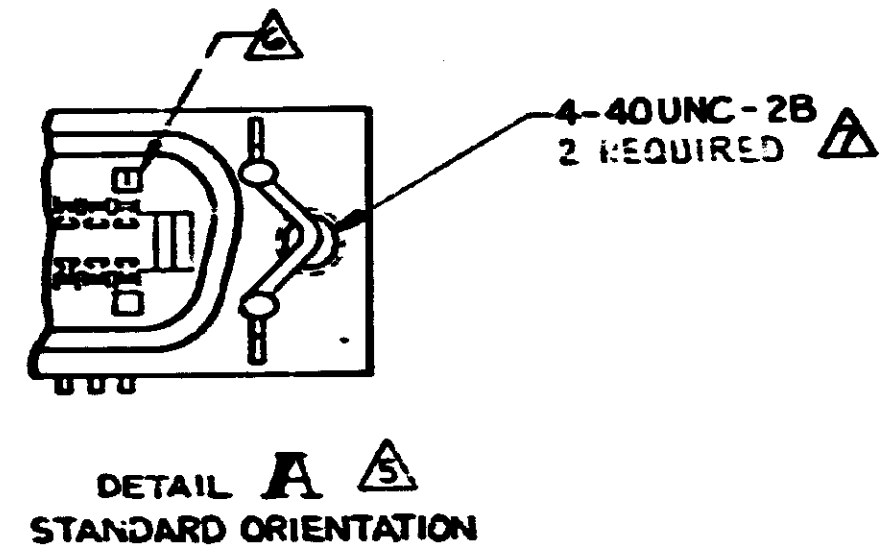
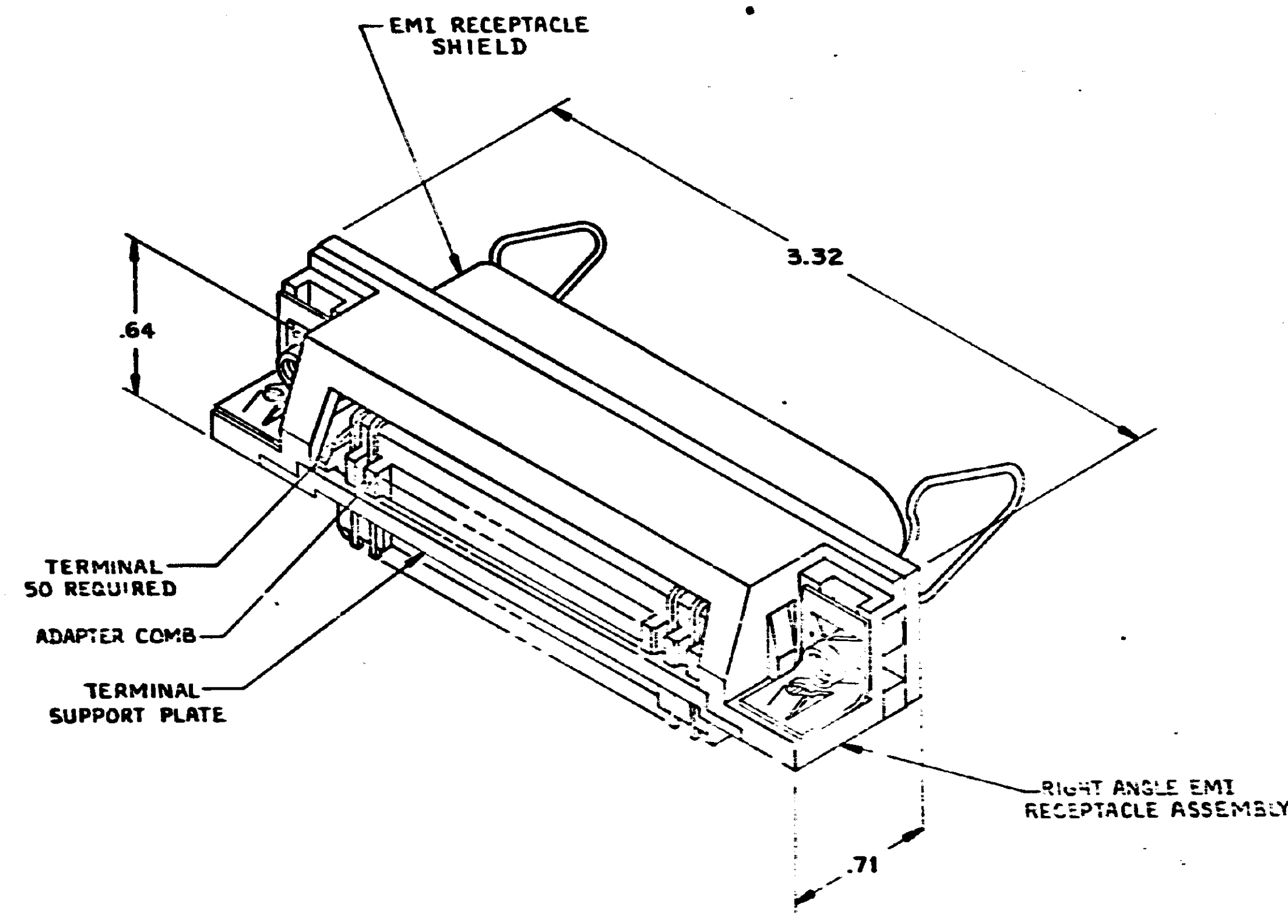
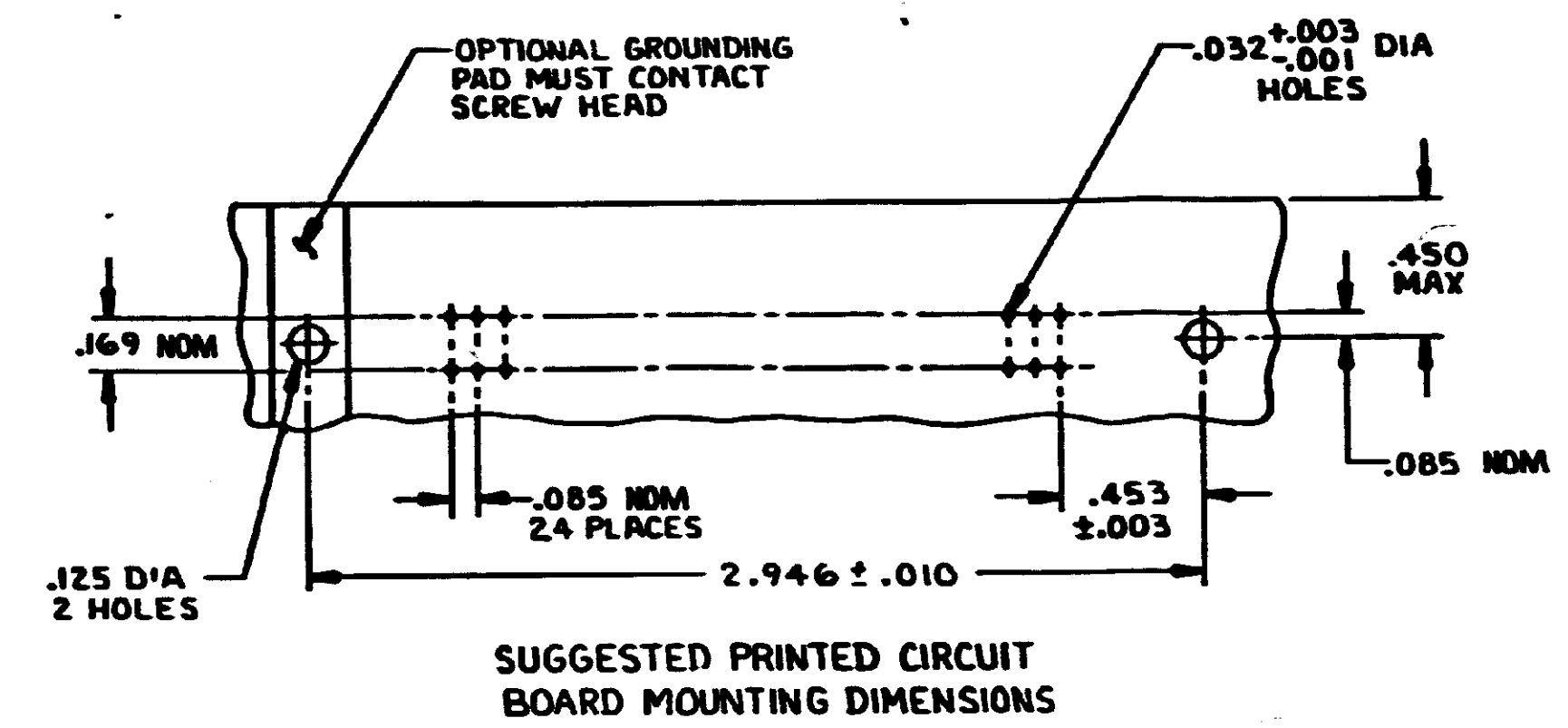
Email & Skype: info@chipsmall.com Web: www.chipsmall.com

Address: A1208, Overseas Decoration Building, #122 Zhenhua RD., Futian, Shenzhen, China

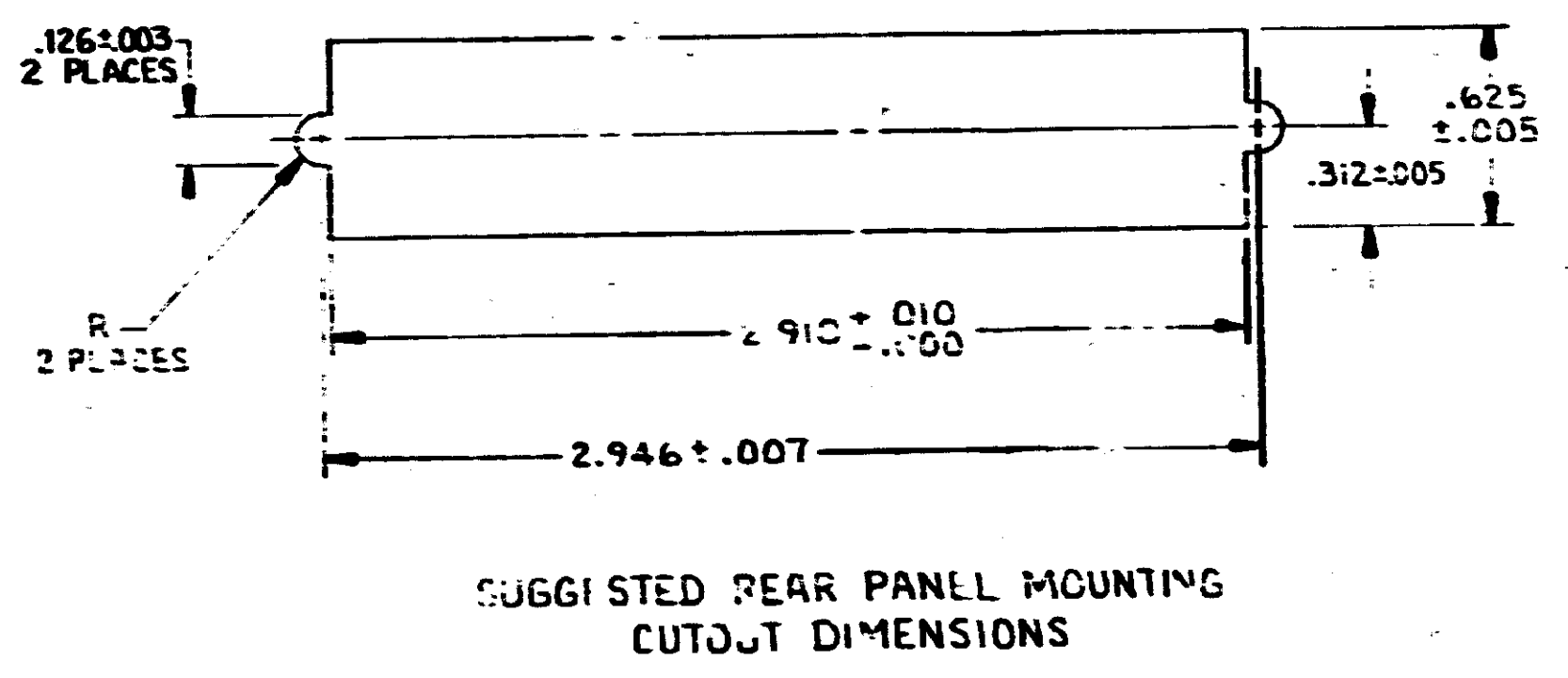
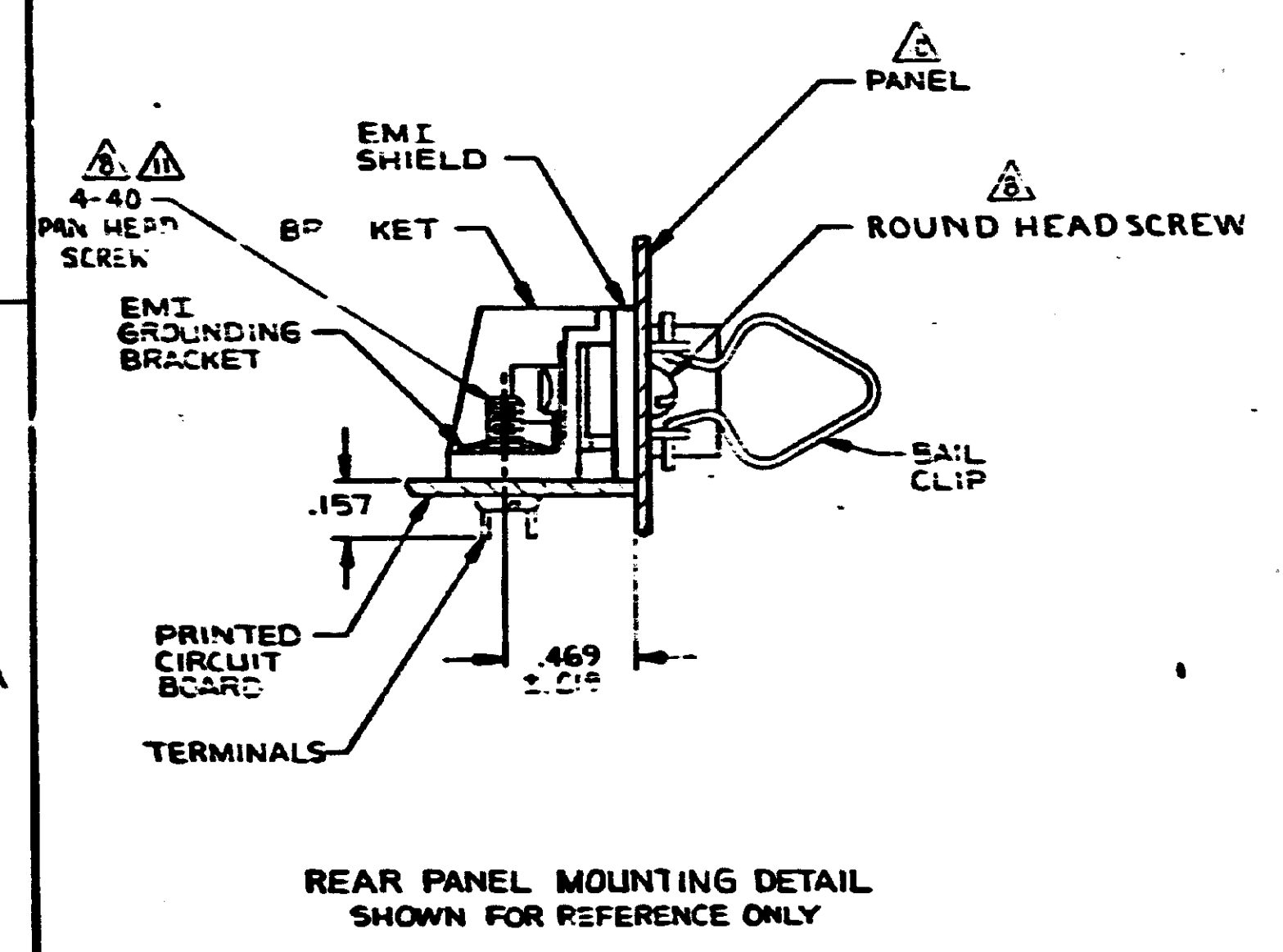


THIS DRAWING IS UNPUBLISHED. RELEASED FOR PUBLICATION  
 COPYRIGHT 19 BY AMP INCORPORATED, HARRISBURG, PA. ALL INTERNATIONAL RIGHTS RESERVED. AMP PRODUCTS MAY BE COVERED BY U.S. AND FOREIGN PATENTS AND/OR PATENTS PENDING.

REVISIONS		DATE	APPROVED
P	F		
A	A	8-10-81	ST



- ⚠ MATERIAL: HOUSING, BRACKET, ADAPTER COMB AND TERMINAL SUPPORT PLATE-THERMOPLASTIC (BLACK)  
EMI SHIELD-BRIGHT NICKEL OVER COPPER PLATED DIE CASTING.  
TERMINALS-TAILS-TIN LEAD OVER NICKEL PLATED HIGH STRENGTH COPPER ALLOY.  
MATING SURFACE-LOCALIZED GOLD OVER NICKEL PLATED HIGH STRENGTH COPPER ALLOY.  
BAIL CLIPS-PASSIVATED STAINLESS STEEL.
- 2. THE CONTACT SURFACES OF THE TERMINALS ARE COATED WITH LUBRICANT.
- 3. CENTER-TO-CENTER SPACING OF TERMINALS IS .085 NOMINAL.
- 4. ALL DIMENSIONS SHOWN ARE MAXIMUM UNLESS OTHERWISE SPECIFIED.
- ⚠ DETAIL A IS VIEWED FROM MATING SIDE OF RECEPTACLE ASSEMBLY.
- ⚠ TERMINAL 1 LOCATED IN THIS ROW FOR STANDARD ORIENTATION.
- ⚠ HOLES ARE TAPPED AFTER PLATING.
- ⚠ SCREWS SHOWN FOR REFERENCE ONLY. RECOMMENDED HARDWARE KIT 554273-2 FOR USE WITH THIS PART NUMBER.
- 9. BAIL CLIPS & EMI SHIELD ARE ASSEMBLED TO CONNECTOR BEFORE SHIPMENT.
- ⚠ PANEL THICKNESS RANGE .062 MAX.
- ⚠ STAINLESS STEEL SCREWS RECOMMENDED BECAUSE OF CONTACT WITH SOLDER BATH.



UNLESS OTHERWISE SPECIFIED DIMENSIONS ARE IN INCHES.		CONTRACT NO.		554901-1	
TOLERANCES ON:		DATE		PART NO.	
DECIMALS: .005		11-12-85			
ANGLES: .005		DESIGNED BY		NAME	
		R. Blahut 11/12/85		RECEPTACLE ASSEMBLY, SHIELDED, 50 POSITION, BAIL LOCK, RIGHT ANGLE, PANEL MOUNTING, PRINTED CIRCUIT BOARD, CHAMP	
OTHER APPD		CHECKED BY		SIZE	
		J. Blahut 11/12/85		D	
		DESIGN APPD		FSCM NO	
				00779	
				DRAWING NO	
				554901	
				SCALE	
				2:1	
				SHEET 1 OF 1	

CUSTOMER DRAWING