



Chipsmall Limited consists of a professional team with an average of over 10 year of expertise in the distribution of electronic components. Based in Hongkong, we have already established firm and mutual-benefit business relationships with customers from,Europe,America and south Asia,supplying obsolete and hard-to-find components to meet their specific needs.

With the principle of “Quality Parts,Customers Priority,Honest Operation,and Considerate Service”,our business mainly focus on the distribution of electronic components. Line cards we deal with include Microchip,ALPS,ROHM,Xilinx,Pulse,ON,Everlight and Freescale. Main products comprise IC,Modules,Potentiometer,IC Socket,Relay,Connector.Our parts cover such applications as commercial,industrial, and automotives areas.

We are looking forward to setting up business relationship with you and hope to provide you with the best service and solution. Let us make a better world for our industry!



Contact us

Tel: +86-755-8981 8866 Fax: +86-755-8427 6832

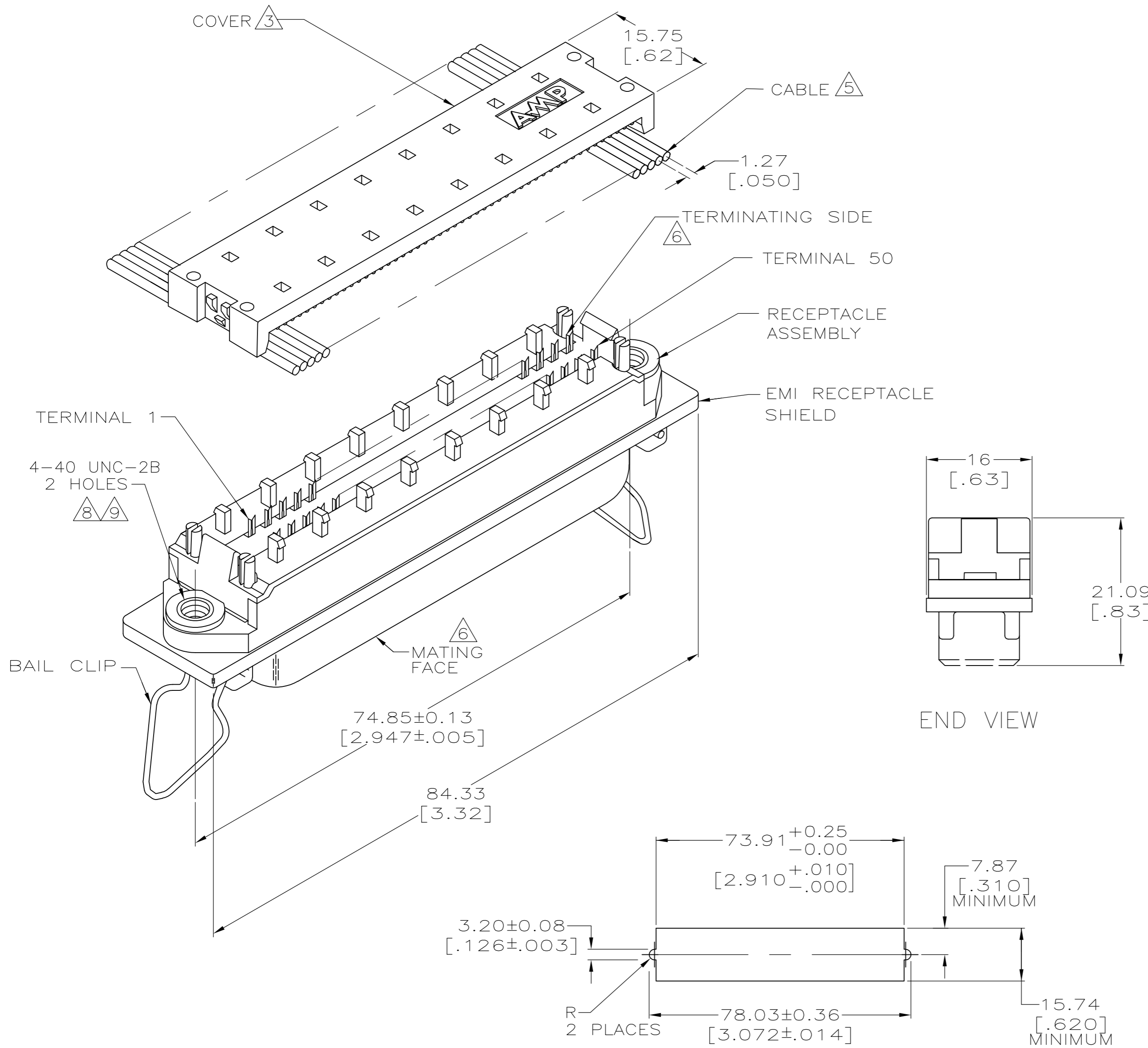
Email & Skype: info@chipsmall.com Web: www.chipsmall.com

Address: A1208, Overseas Decoration Building, #122 Zhenhua RD., Futian, Shenzhen, China



THIS DRAWING IS UNPUBLISHED. RELEASED FOR PUBLICATION
 © COPYRIGHT BY TYCO ELECTRONICS CORPORATION. ALL RIGHTS RESERVED.

LOC		DIST		REVISIONS			
P	LTR	DESCRIPTION	DATE	DWN	APVD		
GP	00	G	REVISED PER ECO-08-007327	17APR08	BM	WM	



1. THE CONTACT SURFACES OF THE TERMINALS ARE COATED WITH LUBRICANT.
2. MATERIAL:
HOUSING & COVER – POLYPHENYLENE OXIDE (BLACK).
TERMINALS – PHOS BRONZE PLATED WITH EITHER 0.76µm [.000030] MINIMUM GOLD PLATE OR GOLD FLASH OVER PALLADIUM NICKEL PLATE, 0.76µm [.000030] MIN TOTAL ON MATING SURFACE. GOLD FLASH PLATED ON TERMINATING SIDE. 1.27µm [.000050] MINIMUM NICKEL UNDERPLATE OVER ENTIRE TERMINAL.
EMI SHIELD – NICKEL PLATED DIE CASTING.
BAIL CLIPS – PASSIVATED STAINLESS STEEL.
3. COVER SHOWN LOOSE BUT SHIPPED ASSEMBLED.
4. WIRE RANGE: 26 AWG SOLID THRU 30 AWG SOLID AND 28 AWG STRANDED RIBBON CABLE.
5. FLAT CABLE SHALL BE FURNISHED BY CUSTOMER.
6. MATING FACE CONSISTS OF TWO ROWS OF TERMINALS ON 2.16 [.085] CENTERS. TERMINATING SIDE CONSISTS OF TERMINALS ON 2.54 [.100] CENTERS FOR AN EFFECTIVE 1.27 [.050] TERMINATION.
7. PANEL THICKNESS RANGE: 1.58 [.062] MAXIMUM.
8. HOLES ARE TAPPED AFTER PLATING.
9. MINOR CRACKS ALLOWED ON POST DUE TO FORMING. SHIELD RETENTION TO ASSEMBLY: 20.41kg [45lb].
10. ALL DIMENSIONS SHOWN ARE MAXIMUM UNLESS OTHERWISE SPECIFIED.

END VIEW

SUGGESTED PANEL CUTOUT FOR SCREWLOCK FEATURE (7)
 SCALE 1:1

THIS DRAWING IS A CONTROLLED DOCUMENT.		DWN K. TILLMAN/JTA 12-16-93	Tyco Electronics Corporation Harrisburg, PA 17105-3608	
DIMENSIONS: mm [INCHES]		CHK C. WHITT 9-1-94	NAME EMI RECEPTACLE ASSEMBLY, 50 POSITION, LOW PROFILE, SHIELDED, BAIL LOCK,	
TOLERANCES UNLESS OTHERWISE SPECIFIED: 0 PLC ± - 1 PLC ± - 2 PLC ± - (10) 3 PLC ± - 4 PLC ± - ANGLES ± - FINISH (2)		APVD J. HARRIS 9-8-94	PRODUCT SPEC 108-6076	RESTRICTED TO -
MATERIAL (2)		APPLICATION SPEC 114-6030	WEIGHT -	SCALE 2:1
		CUSTOMER DRAWING	SIZE A2	SHEET 1 OF 1
			CAGE CODE 00779	REV G
			DRAWING NO C=554902	

554902-1
 PART NO