



Chipsmall Limited consists of a professional team with an average of over 10 year of expertise in the distribution of electronic components. Based in Hongkong, we have already established firm and mutual-benefit business relationships with customers from,Europe,America and south Asia,supplying obsolete and hard-to-find components to meet their specific needs.

With the principle of “Quality Parts,Customers Priority,Honest Operation,and Considerate Service”,our business mainly focus on the distribution of electronic components. Line cards we deal with include Microchip,ALPS,ROHM,Xilinx,Pulse,ON,Everlight and Freescale. Main products comprise IC,Modules,Potentiometer,IC Socket,Relay,Connector.Our parts cover such applications as commercial,industrial, and automotives areas.

We are looking forward to setting up business relationship with you and hope to provide you with the best service and solution. Let us make a better world for our industry!



## Contact us

Tel: +86-755-8981 8866 Fax: +86-755-8427 6832

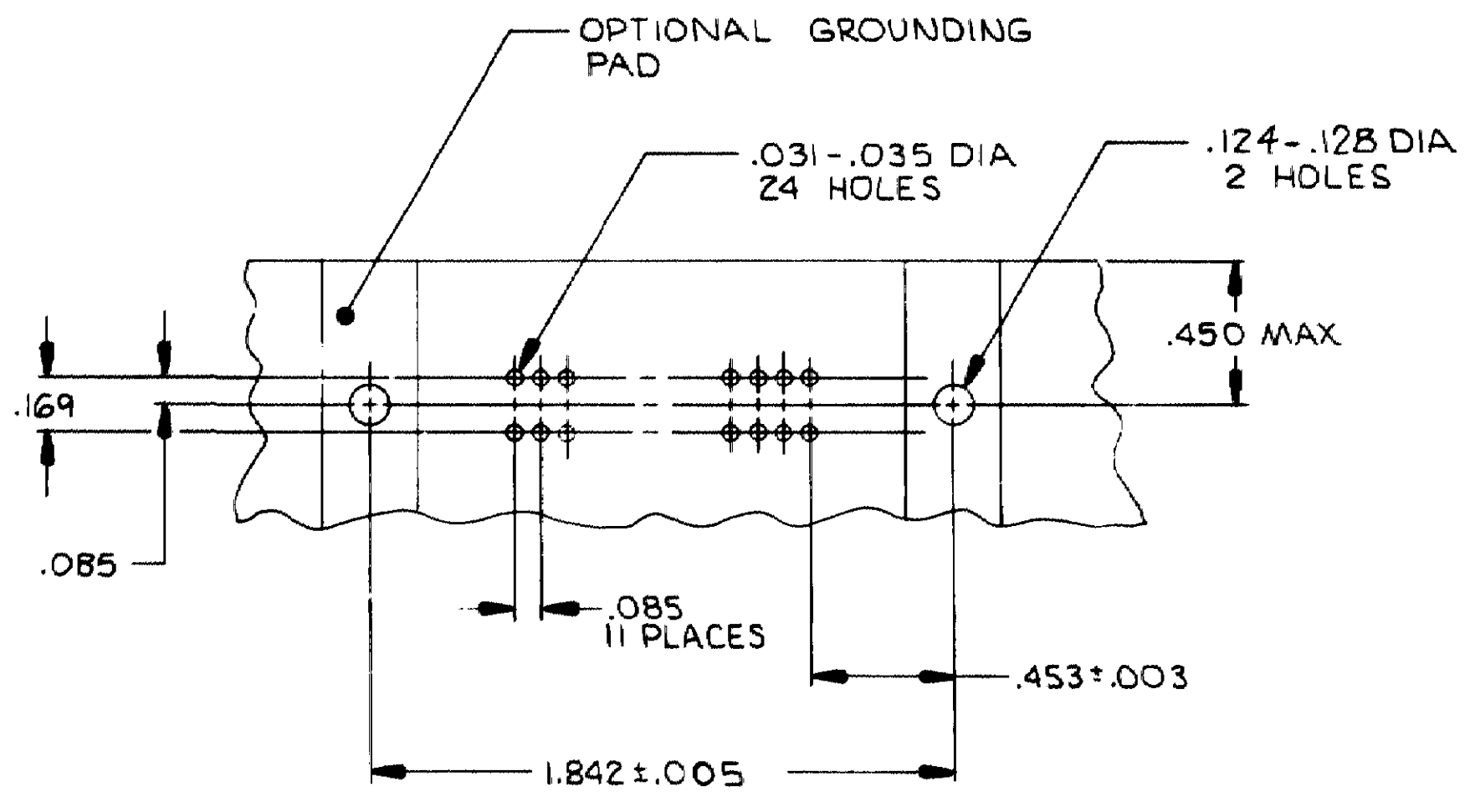
Email & Skype: info@chipsmall.com Web: www.chipsmall.com

Address: A1208, Overseas Decoration Building, #122 Zhenhua RD., Futian, Shenzhen, China

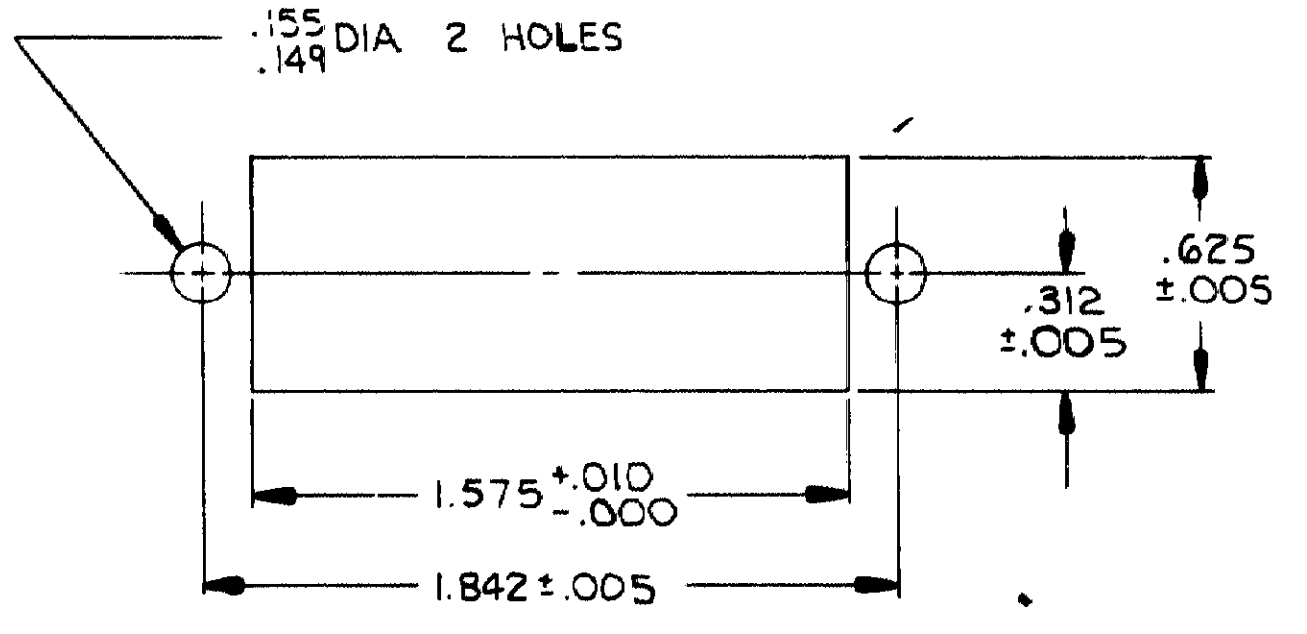


THIS DRAWING IS UNPUBLISHED. RELEASED FOR PUBLICATION  
 © COPYRIGHT 19 BY AMP INCORPORATED, HARRISBURG, PA. ALL INTERNATIONAL RIGHTS RESERVED. AMP PRODUCTS MAY BE COVERED BY U.S. AND FOREIGN PATENTS AND/OR PATENTS PENDING.

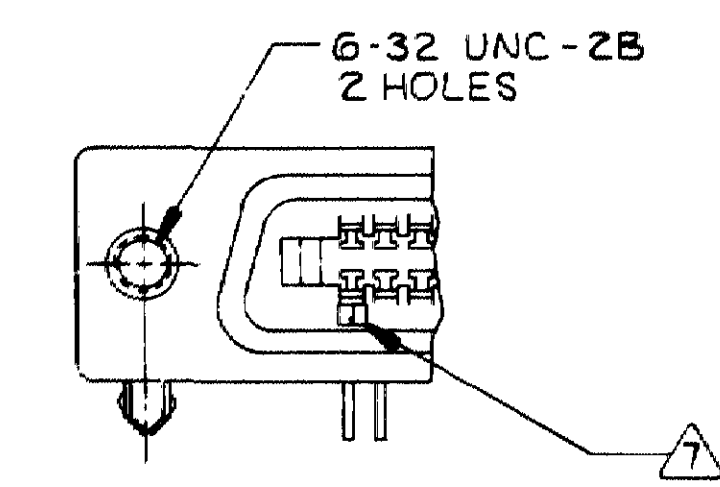
REVISIONS					
P	F	ZONE/LTR	DESCRIPTION	DATE	APPROVED
1		C	REV PER ECN AA-4110	8-11-87	ST



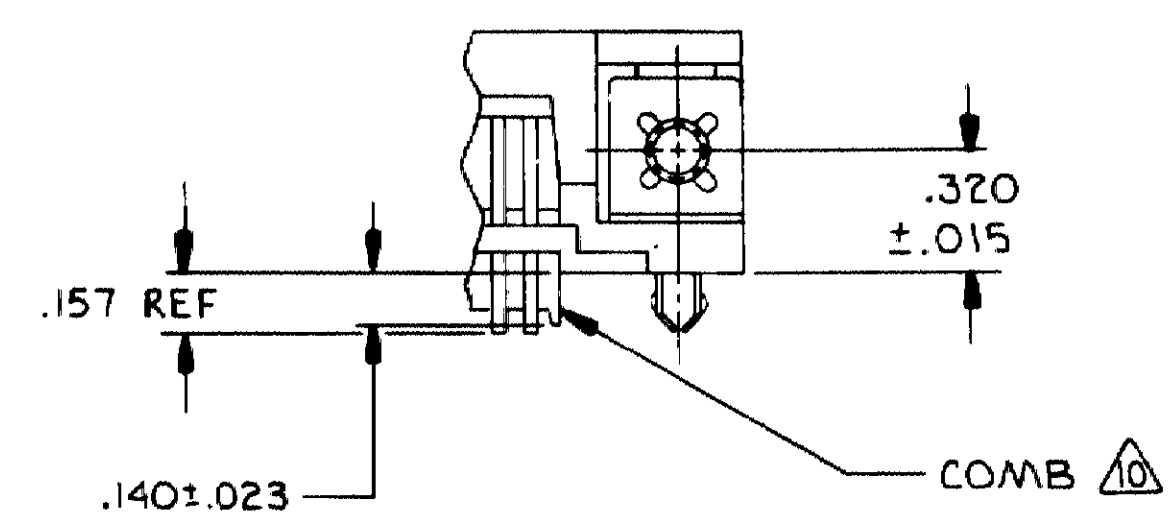
SUGGESTED PRINTED CIRCUIT BOARD MOUNTING DIMENSIONS



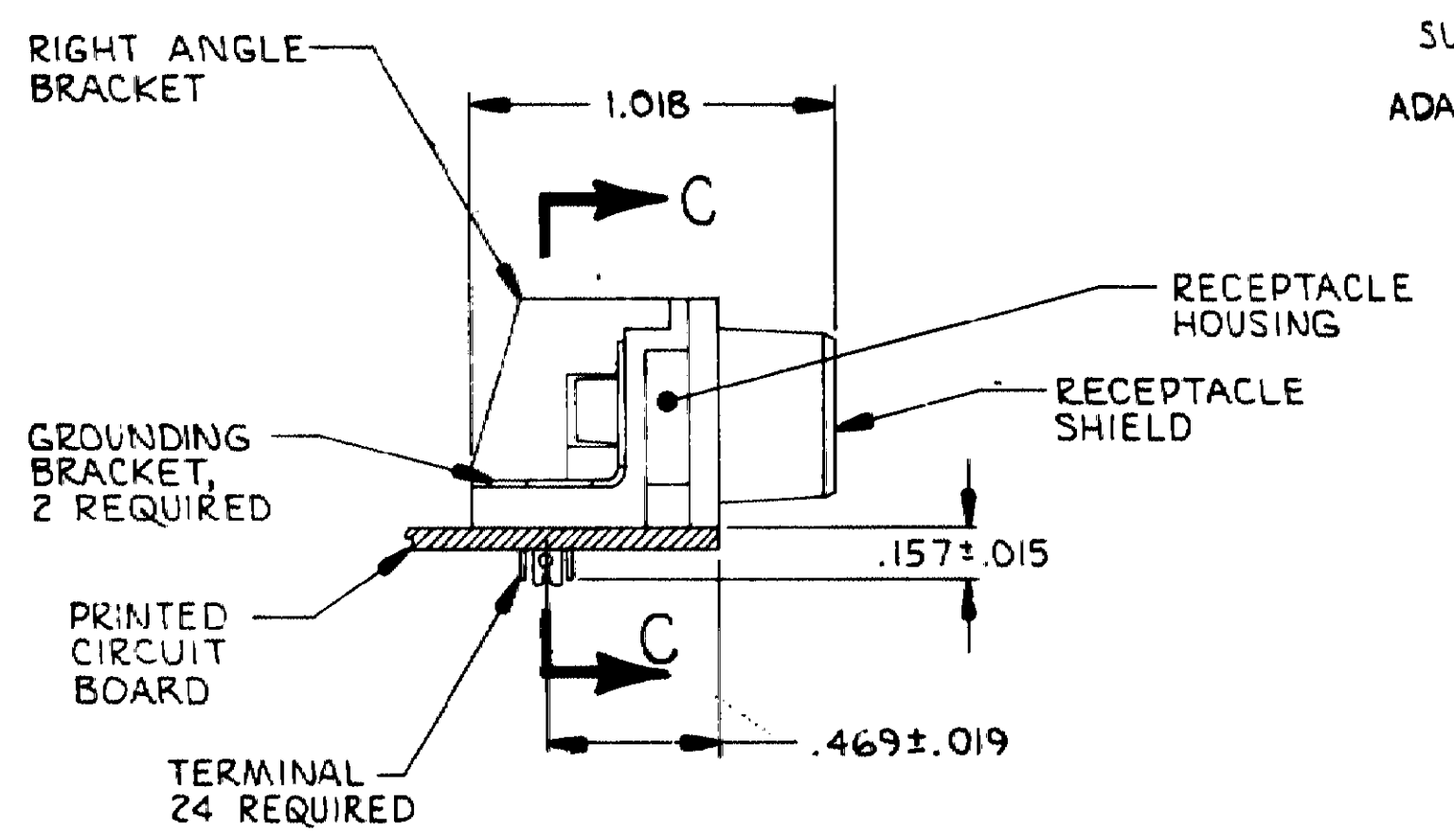
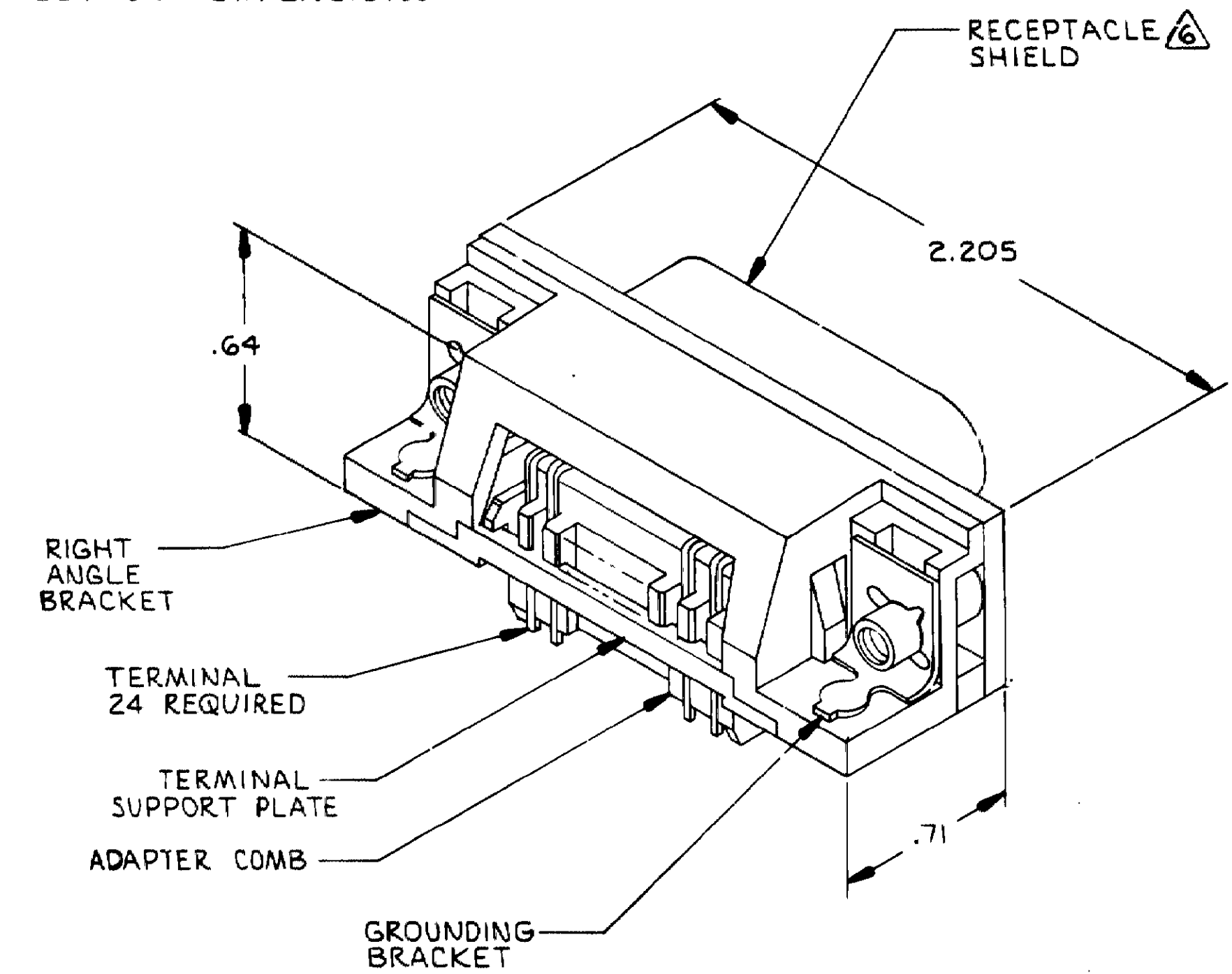
SUGGESTED REAR PANEL MOUNTING CUTOUT DIMENSIONS



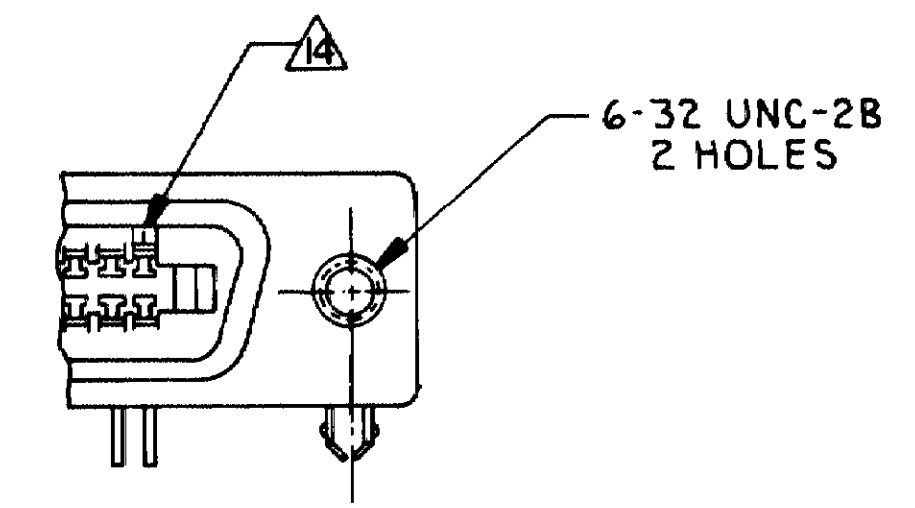
DETAIL A REVERSE ORIENTATION



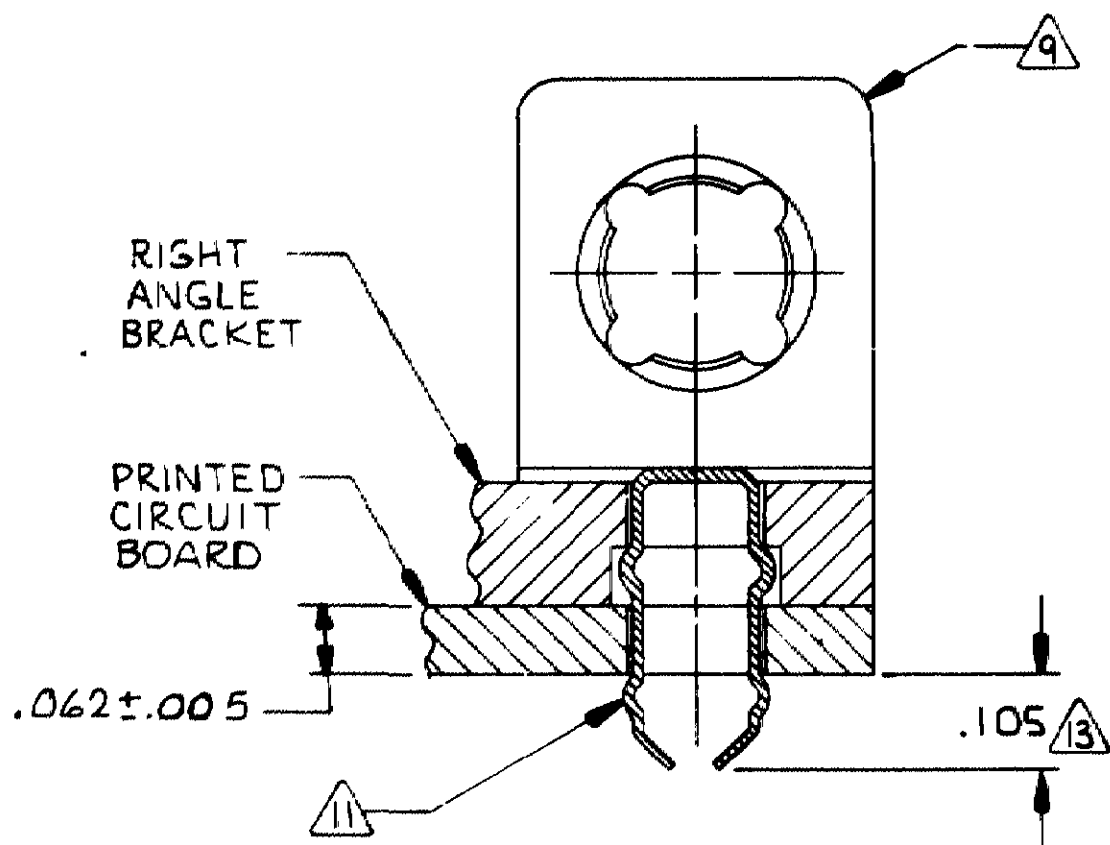
DETAIL B



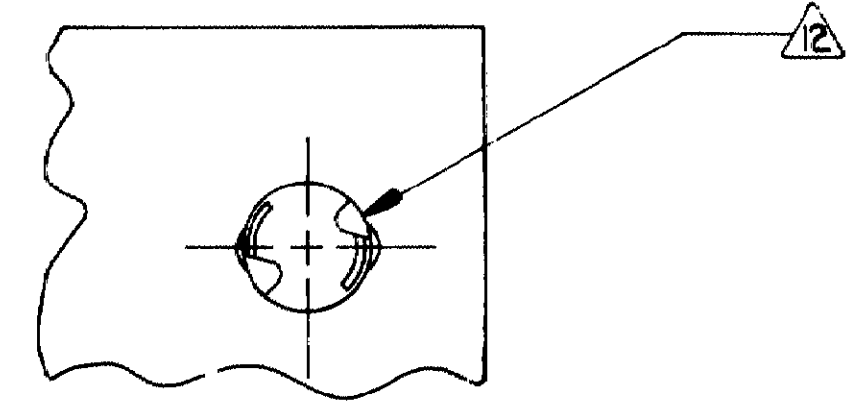
REAR PANEL MOUNTING DETAIL SHOWN FOR REFERENCE ONLY



DETAIL D STANDARD ORIENTATION



SECTION C-C SCALE: NONE



- ⚠ MATERIAL: HOUSING, BRACKET, ADAPTER COMB AND TERMINAL SUPPORT PLATE - POLYESTER, BLACK.  
 RECEPTACLE SHIELD - BRIGHT NICKEL OVER COPPER PLATED DIE CASTING.  
 TERMINALS - TAILS-TIN LEAD OVER NICKEL PLATED HIGH STRENGTH COPPER ALLOY.  
 MATING SURFACE - LOCALIZED GOLD OVER NICKEL PLATED HIGH STRENGTH COPPER ALLOY.  
 GROUND BRACKET - TIN-LEAD PLATED CARBON STEEL
- 2. THE CONTACT SURFACES OF THE TERMINALS ARE COATED WITH LUBRICANT.
- 3. CENTER-TO-CENTER SPACING OF TERMINALS IS .085 NOMINAL.
- 4. ALL DIMENSIONS SHOWN ARE MAXIMUM UNLESS OTHERWISE SPECIFIED.
- ⚠ DETAILS A & D IS VIEWED FROM MATING SIDE OF RECEPTACLE ASSEMBLY.
- ⚠ SHIELD IS ASSEMBLED TO RECEPTACLE ASSEMBLY BEFORE SHIPMENT.
- ⚠ TERMINAL 1 LOCATED IN THIS ROW FOR REVERSE ORIENTATION, SEE DETAIL A.
- 8. PANEL THICKNESS RANGE: .062 MAXIMUM.
- ⚠ GROUNDING BRACKET RETAINS CONNECTOR IN .062 THICK PC BOARD WITHOUT ADDITIONAL HARDWARE.
- ⚠ IF TERMINALS DO NOT EXTEND BELOW COMB, THEN COMB SHALL BE PARTIALLY RETRACTED BEFORE INSERTING CONNECTOR INTO PC BOARD.
- ⚠ GROUNDING BRACKET LOCATES CONNECTOR FLUSH WITH TOP OF PC BOARD AND SPRING LOCKS BENEATH.
- ⚠ CYLINDRICAL SHAPE OFFERS 180° OF SOLDERING SURFACE.
- ⚠ SURFACE AREA OF GROUNDING BRACKET BELOW PC BOARD SHALL PASS SOLDERABILITY REQUIREMENTS IN ACCORDANCE WITH AMP SPECIFICATION 109-11-2. DISCOLORATION, SCRATCHES, SPOTS AND OTHER COSMETIC DEFICIENCIES TYPICAL OF BARREL PLATING PROCESSES ARE ACCEPTABLE PROVIDING PARTS PASS 24 HOUR EXPOSURE AT 95% RH AT 40°C WITHOUT EVIDENCE OF CORROSION.
- ⚠ TERMINAL 1 LOCATED IN THIS ROW FOR STANDARD ORIENTATION, SEE DETAIL D.

D	STANDARD	-2
A	REVERSE ORIENTATION	554923-1
SEE DETAIL		PART NO

UNLESS OTHERWISE SPECIFIED DIMENSIONS ARE IN INCHES TOLERANCES ON: DECIMALS : — ANGLES : —	CONTRACT NO	AMP INCORPORATED Harrisburg, Pa. 17105	
	DR Victor E. Staal 2/19/86		
MATERIAL	CHK R.C. Clark 2-21-86	NAME RECEPTACLE ASSEMBLY, SHIELDED, 24 POSITION, RIGHT ANGLE, SCREW LOCK, FLUSH PANEL MOUNTING WITH BOARD LOCK GROUND, CHAMP®	
	APPD [Signature]	SIZE D	FSCM NO 00779
FINISH	DSGN APPD	DRAWING NO 554923	
	OTHER APPD	SCALE 2:1	SHEET 1 OF 1