



Chipsmall Limited consists of a professional team with an average of over 10 year of expertise in the distribution of electronic components. Based in Hongkong, we have already established firm and mutual-benefit business relationships with customers from,Europe,America and south Asia,supplying obsolete and hard-to-find components to meet their specific needs.

With the principle of “Quality Parts,Customers Priority,Honest Operation,and Considerate Service”,our business mainly focus on the distribution of electronic components. Line cards we deal with include Microchip,ALPS,ROHM,Xilinx,Pulse,ON,Everlight and Freescale. Main products comprise IC,Modules,Potentiometer,IC Socket,Relay,Connector.Our parts cover such applications as commercial,industrial, and automotives areas.

We are looking forward to setting up business relationship with you and hope to provide you with the best service and solution. Let us make a better world for our industry!



Contact us

Tel: +86-755-8981 8866 Fax: +86-755-8427 6832

Email & Skype: info@chipsmall.com Web: www.chipsmall.com

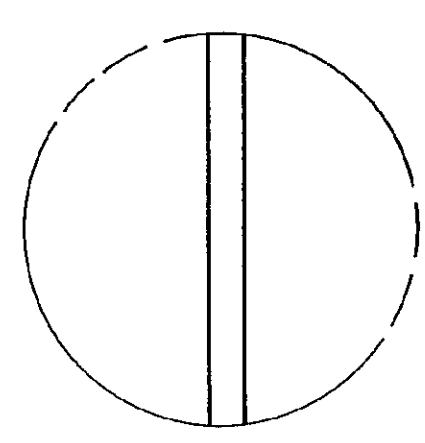
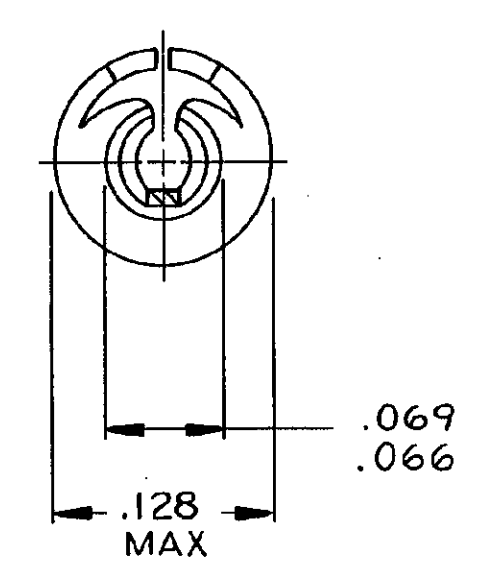
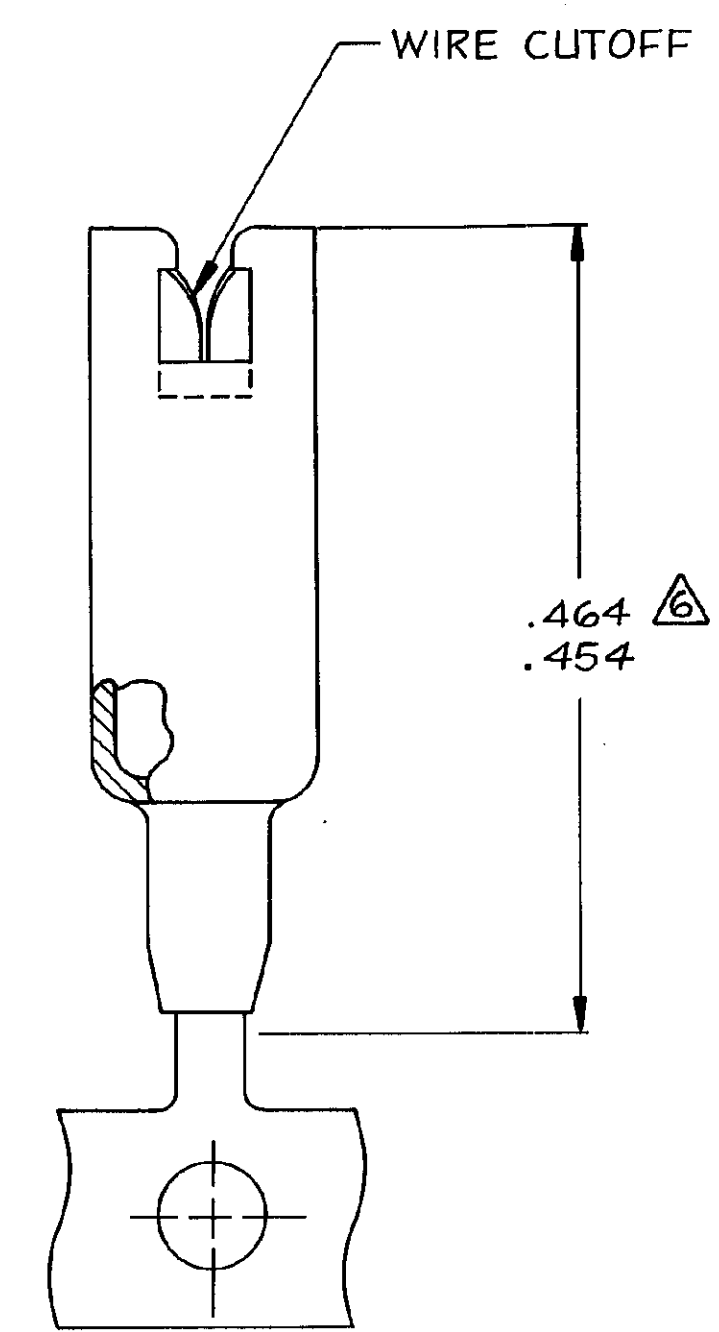
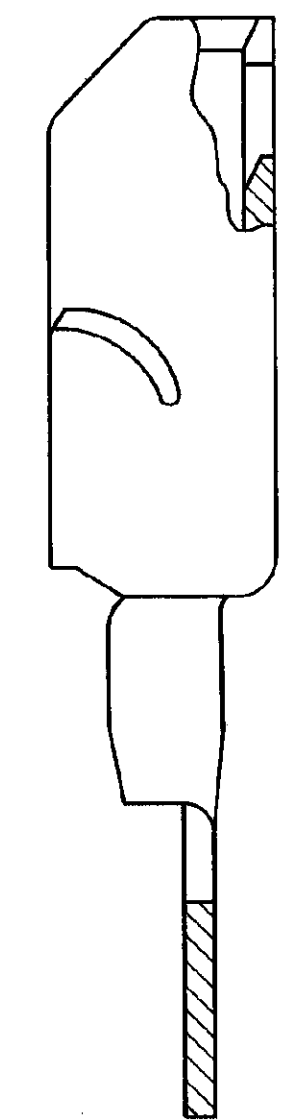
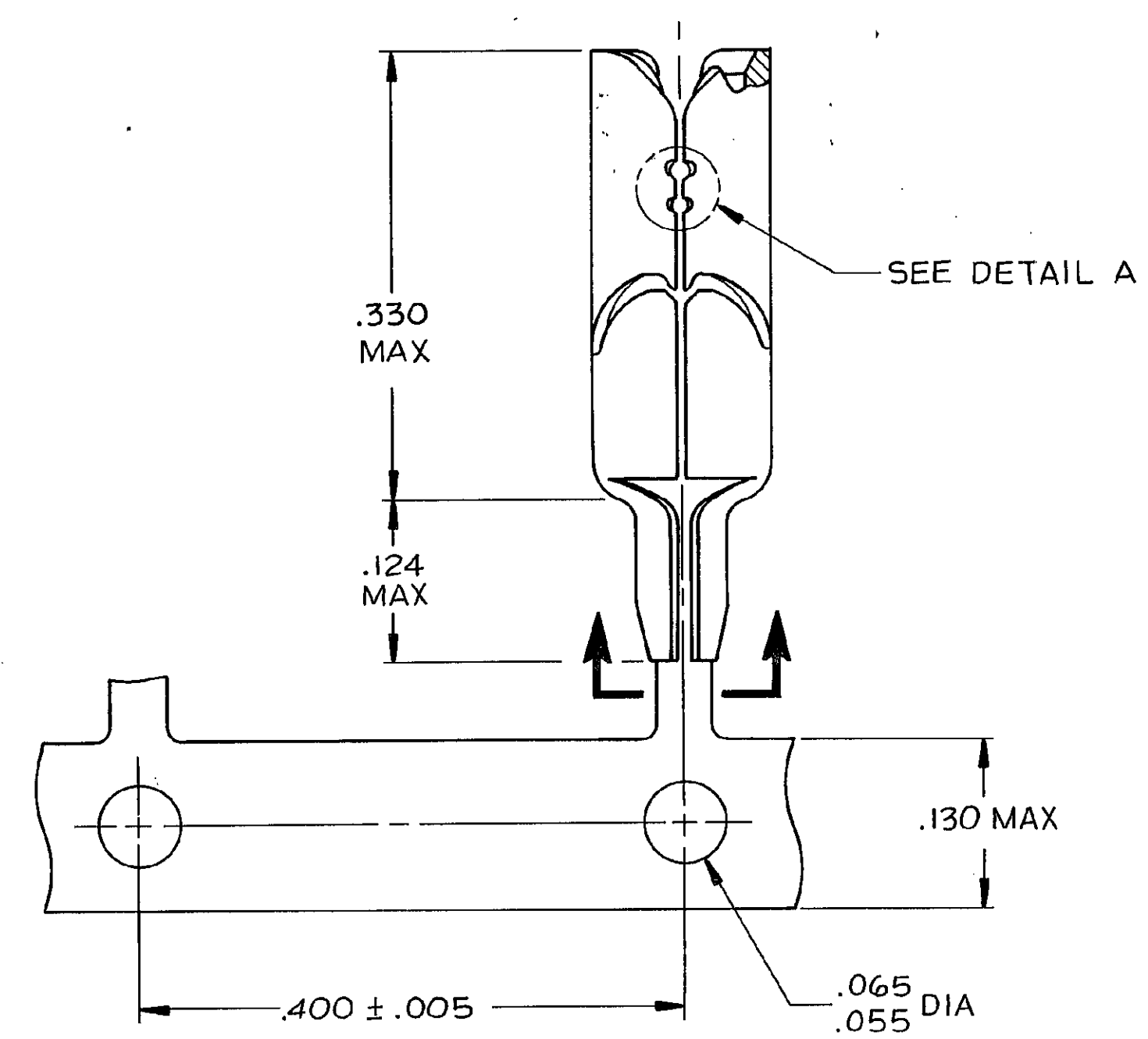
Address: A1208, Overseas Decoration Building, #122 Zhenhua RD., Futian, Shenzhen, China



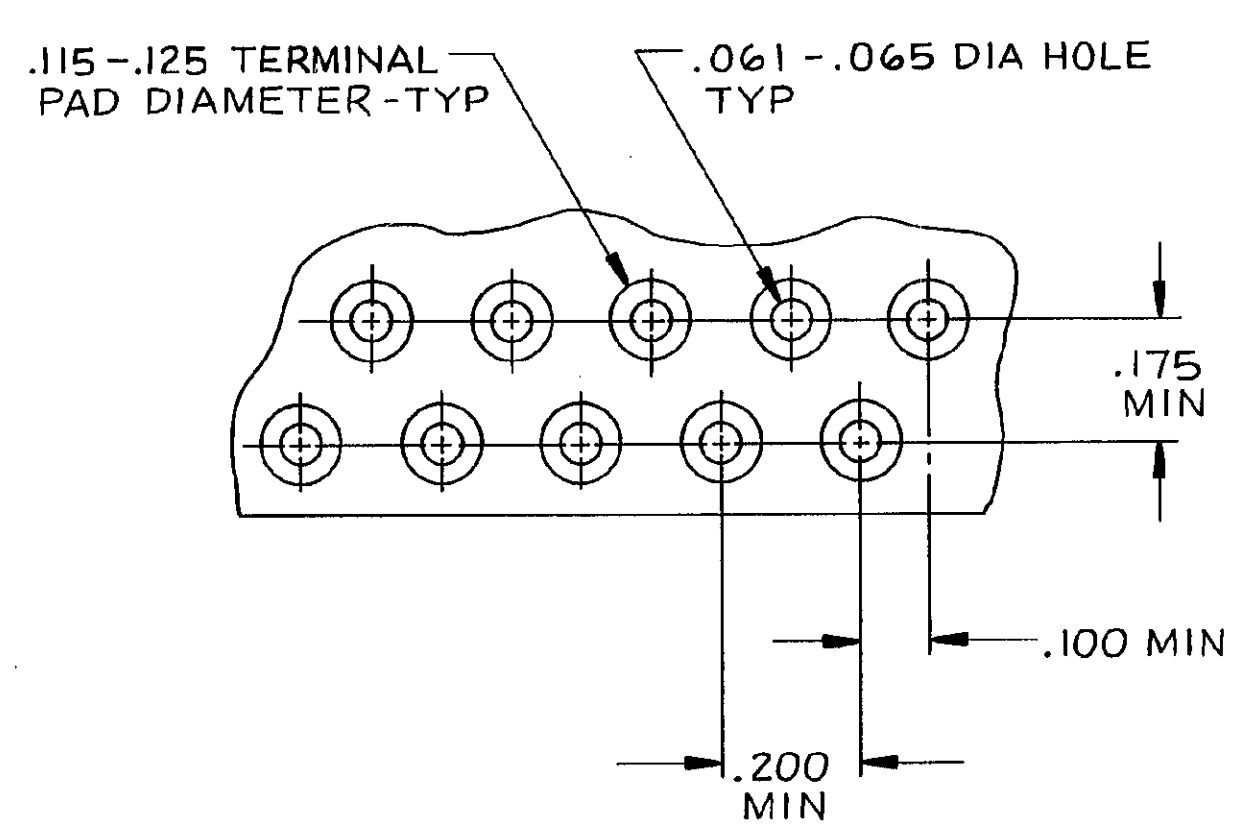
THIS DRAWING IS UNPUBLISHED. RELEASED FOR PUBLICATION 19
 © COPYRIGHT 19 BY AMP INCORPORATED, HARRISBURG, PA. ALL INTERNATIONAL RIGHTS RESERVED. AMP PRODUCTS MAY BE COVERED BY U.S. AND FOREIGN PATENTS AND/OR PATENTS PENDING.

P		F		ZONE		LTR		REVISIONS		DATE	APPROVED
								U	OBS:-4; EC 0502-0222-96	31MAY97	AD

- FOR USE IN PRINTED CIRCUIT BOARDS .062-.094 THICK.
 - WIRE RANGE :22-26 AWG SOLID OR STRANDED WIRE. MAXIMUM INSULATION DIAMETER OF .086 IS ACCEPTABLE FOR MOST APPLICATIONS.
 - TERMINAL SHALL ACCOMMODATE ONE OR TWO WIRES OF THE SAME TYPE AND WITHIN PLUS OR MINUS ONE WIRE GAGE SIZE. EXAMPLE: 24 AWG MAY BE MIXED WITH EITHER 26 OR 22 AWG.
 - USE INSERTION TOOL, PART NUMBER 231890-1.
- ⚠ WHEN USING TEFLON INSULATED WIRES USE 554935-1 OR 554935-2.
- ⚠ CUT-OFF DIMENSION FOR LOOSE PIECE PARTS ONLY.



DETAIL A
SCALE-40:1
FOR -3 AND -4 ONLY



SUGGESTED PRINTED CIRCUIT BOARD
MOUNTING DIMENSIONS
SCALE - NTS

OBSOLETE	230549-1	LOOSE PIECE ⚠	AS SHOWN WITH DETAIL A	-3
	1-453973-4	STRIP MOUNTED		-2
OBSOLETE	230549-1	LOOSE PIECE ⚠	AS SHOWN	554935-1
	TERMINAL INSERTION TOOL		DESCRIPTION	PART NO
UNLESS OTHERWISE SPECIFIED DIMENSIONS ARE IN INCHES.		AMP INCORPORATED Harrisburg, Pa. 17105		
TOLERANCES ON:		NAME		
DECIMALS ±		TERMINAL, .125 DIA W/ CUTOFF, AMP BARREL®		
ANGLES ±		SIZE		
MATERIAL	PHOS BRONZE	SIZE	FSCM NO	DRAWING NO
FINISH	PRE-TINNED	D	00779	554935
CONTRACT NO		SCALE 10:1		
DR <i>Shultz</i> 8-21-86		SHEET 1 OF 1		
CHK <i>A. Fox</i> 8-25-86				
APPD <i>Steve Keller</i> 8/25/86				
APPD <i>J. W. Harrison</i> 8/25/86				
DSGN APPD				
OTHER APPD				