



Chipsmall Limited consists of a professional team with an average of over 10 year of expertise in the distribution of electronic components. Based in Hongkong, we have already established firm and mutual-benefit business relationships with customers from,Europe,America and south Asia,supplying obsolete and hard-to-find components to meet their specific needs.

With the principle of “Quality Parts,Customers Priority,Honest Operation,and Considerate Service”,our business mainly focus on the distribution of electronic components. Line cards we deal with include Microchip,ALPS,ROHM,Xilinx,Pulse,ON,Everlight and Freescale. Main products comprise IC,Modules,Potentiometer,IC Socket,Relay,Connector.Our parts cover such applications as commercial,industrial, and automotives areas.

We are looking forward to setting up business relationship with you and hope to provide you with the best service and solution. Let us make a better world for our industry!



Contact us

Tel: +86-755-8981 8866 Fax: +86-755-8427 6832

Email & Skype: info@chipsmall.com Web: www.chipsmall.com

Address: A1208, Overseas Decoration Building, #122 Zhenhua RD., Futian, Shenzhen, China



DRAWING MADE IN THIRD ANGLE PROJECTION

3

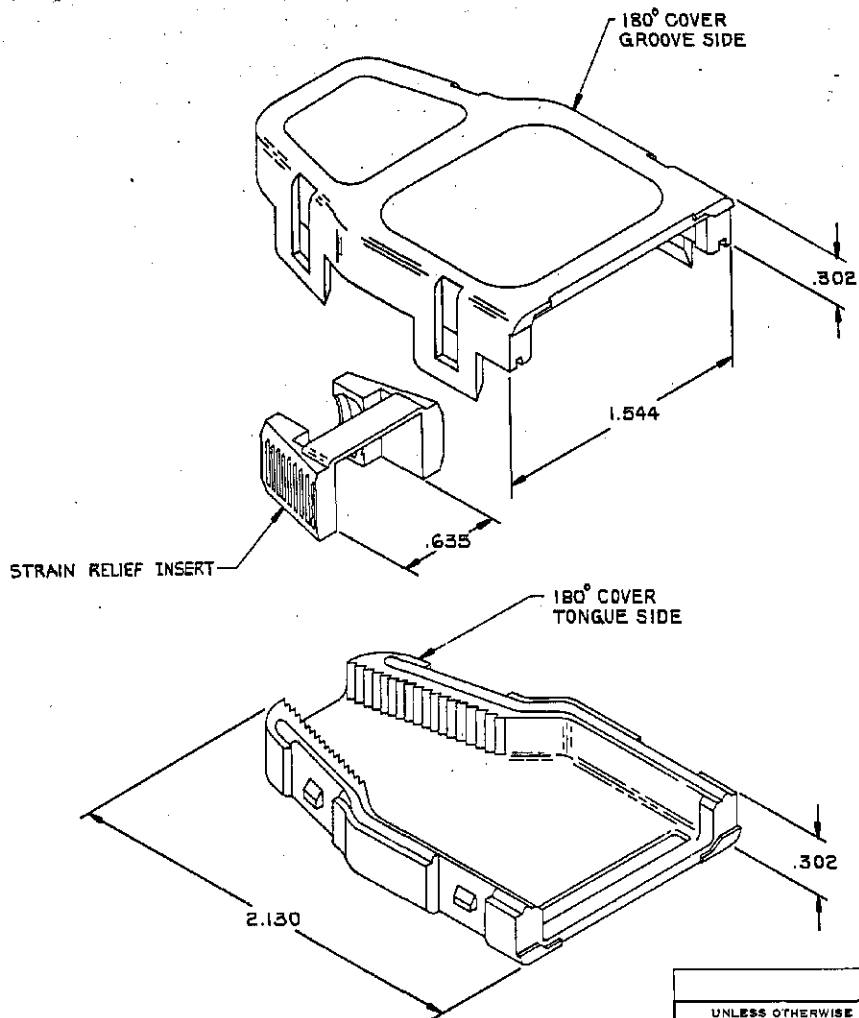
2

1

LOG DIST
GP 1 00

THIS DRAWING IS UNPUBLISHED. RELEASED FOR PUBLICATION .19
 © COPYRIGHT 19 BY AMP INCORPORATED, HARRISBURG, PA. ALL INTERNATIONAL RIGHTS
 RESERVED. AMP PRODUCTS MAY BE COVERED BY U.S. AND FOREIGN PATENTS AND/OR PATENTS PENDING.

REVISIONS			
#	ZONE/LTR	DESCRIPTION	DATE APPROVED
C		REVISED PER EC 0S11-0216-03	08SEP04 JG



1. ALL DIMENSIONS SHOWN ARE MAXIMUM UNLESS OTHERWISE SPECIFIED.
2. MATERIAL: COVERS-POLYPHENYLENE OXIDE, BLACK. STRAIN RELIEF-POLYPROPYLENE, BLACK.
3. CABLE RANGE: 250-500 DIA.
4. THIS KIT SHIPPED NOT ASSEMBLED.

554944

POLY BAG	554944-1
PACKAGED	PART NO

UNLESS OTHERWISE SPECIFIED DIMENSIONS ARE IN INCHES. TOLERANCES ON: DECIMALS ± .005 ANGLES ± .005	CONTRACT NO	AMP AMP INCORPORATED Harrisburg, Pa. 17106	
	DR <i>E. Gentry</i> 3/11/86	NAME COVER KIT, 180°, 24 POSITION, SHIELDED CHAMP	
	CHK <i>E. For</i> 3-20-86		
	MATERIAL △	APPD <i>B. Williams</i> 5/27/86	SIZE C
FINISH	APPD <i>G.S. Williams</i> 5-27-86	DRAWING NO 554944	
	DEGN APPD	SCALE 2:1	
	OTHER APPD	SHEET 1 OF 1	